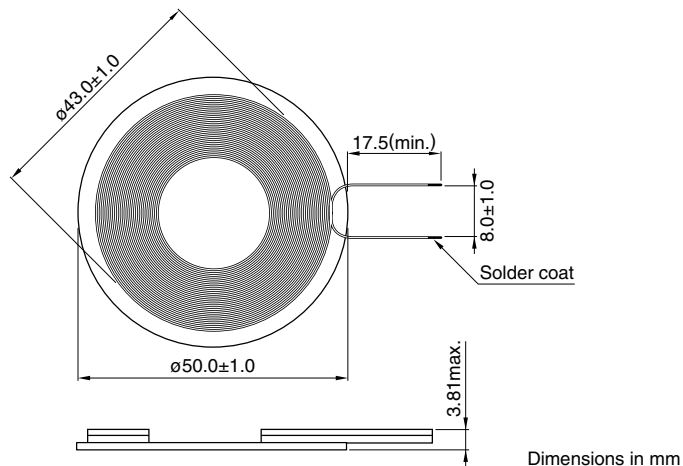


Tx Coil Units

WT505090-20K2-A10-G

■ SHAPE & DIMENSIONS



■ ELECTRICAL CHARACTERISTICS

□ CHARACTERISTICS SPECIFICATION TABLE

Part No.	WT505090-20K2-A10-G
WPC Compliant	WPC A10
Input Voltage (V)	19 (A10)
Inductance (μH) [100kHz, 1Vrms]	24
DC resistance (Ω) max. [25°C]	0.10
Ferrite type	Flexible
Magnet (mm)	Nothing
Sheet Size (mm)	$\phi 50$
Coil Turns	10ts x 2Layers 20Ts
Thickness of Coil + Sheet (mm) typ.	3.13
Thickness of Incl. I/O (mm) typ.	—
Coil Outer Size (mm) typ.	$\phi 43$