



Chip Beads

For signal line

HFxxACB series

| | |
|-------------|--------------|
| HFxxACB2012 | [0805 inch]* |
| HFxxACB3216 | [1206 inch] |
| HFxxACB3225 | [1210 inch] |
| HFxxACB4532 | [1812 inch] |

* Dimensions Code JIS[EIA]

REMINDERS FOR USING THESE PRODUCTS

Before using these products, be sure to request the delivery specifications.

SAFETY REMINDERS

Please pay sufficient attention to the warnings for safe designing when using these products.

REMINDERS

- The storage period is less than 12 months. Be sure to follow the storage conditions (Temperature: 5 to 40°C, Humidity: 10 to 75% RH or less).
If the storage period elapses, the soldering of the terminal electrodes may deteriorate.
- Do not use or store in locations where there are conditions such as gas corrosion (salt, acid, alkali, etc.).
- Before soldering, be sure to preheat components.
The preheating temperature should be set so that the temperature difference between the solder temperature and chip temperature does not exceed 150°C.
- Soldering corrections after mounting should be within the range of the conditions determined in the specifications.
If overheated, a short circuit, performance deterioration, or lifespan shortening may occur.
- When embedding a printed circuit board where a chip is mounted to a set, be sure that residual stress is not given to the chip due to the overall distortion of the printed circuit board and partial distortion such as at screw tightening portions.
- Self heating (temperature increase) occurs when the power is turned ON, so the tolerance should be sufficient for the set thermal design.
- Carefully lay out the coil for the circuit board design of the non-magnetic shield type.
A malfunction may occur due to magnetic interference.
- Use a wrist band to discharge static electricity in your body through the grounding wire.
- Do not expose the products to magnets or magnetic fields.
- Do not use for a purpose outside of the contents regulated in the delivery specifications.
- The products listed on this catalog are intended for use in general electronic equipment (AV equipment, telecommunications equipment, home appliances, amusement equipment, computer equipment, personal equipment, office equipment, measurement equipment, industrial robots) under a normal operation and use condition.
The products are not designed or warranted to meet the requirements of the applications listed below, whose performance and/or quality require a more stringent level of safety or reliability, or whose failure, malfunction or trouble could cause serious damage to society, person or property.
If you intend to use the products in the applications listed below or if you have special requirements exceeding the range or conditions set forth in the each catalog, please contact us.

- (1) Aerospace/Aviation equipment
- (2) Transportation equipment (cars, electric trains, ships, etc.)
- (3) Medical equipment
- (4) Power-generation control equipment
- (5) Atomic energy-related equipment
- (6) Seabed equipment
- (7) Transportation control equipment

- (8) Public information-processing equipment
- (9) Military equipment
- (10) Electric heating apparatus, burning equipment
- (11) Disaster prevention/crime prevention equipment
- (12) Safety equipment
- (13) Other applications that are not considered general-purpose applications

When designing your equipment even for general-purpose applications, you are kindly requested to take into consideration securing protection circuit/device or providing backup circuits in your equipment.

Chip Beads

For signal line

Product compatible with RoHS directive

Halogen-free

Compatible with lead-free solders

Overview of the HFxxACB Series

FEATURES

- Noise reduction solution for general signal lines.
- Lineup includes 4 sizes from 201209 to 453215.
- Achieves various frequency characteristics by using 3 materials with different features.
- There is no directivity.

APPLICATION

Signal line noise removal for DSCs, DVCs, PCs, TVs, printers, game machines, smart grids, wireless base stations, industrial equipment, automobiles, etc.

PART NUMBER CONSTRUCTION

| HF70 | | ACB | | 201209 | | - | T | |
|---------------|-------------|------------------|--------------|-----------------|--------|---|---|--|
| Material name | Series name | LxWxT Dimensions | | Packaging style | | | | |
| | | (mm) | | | | | | |
| HF70 | | 201209 | 2.0x1.25x0.9 | T | Taping | | | |
| HF50 | | 321611 | 3.2x1.6x1.1 | | | | | |
| HF30 | | 322513 | 3.2x2.5x1.3 | | | | | |
| | | 453215 | 4.5x3.2x1.5 | | | | | |

OPERATING TEMPERATURE RANGE, PACKAGE QUANTITY, PRODUCT WEIGHT

| Type | Temperature range | | Package quantity | Individual weight |
|-------------|------------------------|-----------------------|------------------|-------------------|
| | Operating temperature* | Storage temperature** | | |
| | (°C) | (°C) | (pieces/reel) | (mg) |
| HFxxACB2012 | -40 to +125 | -40 to +125 | 2,000 | 10 |
| HFxxACB3216 | -40 to +125 | -40 to +125 | 2,000 | 22 |
| HFxxACB3225 | -40 to +125 | -40 to +125 | 2,000 | 46 |
| HFxxACB4532 | -40 to +125 | -40 to +125 | 1,000 | 94 |

* Operating temperature range includes self-temperature rise.

** The Storage temperature range is for after the circuit board is mounted.

○ RoHS Directive Compliant Product: See the following for more details related to RoHS Directive compliant products. <http://www.tdk.co.jp/rohs/>

○ Halogen-free: Indicates that Cl content is less than 900ppm, Br content is less than 900ppm, and that the total Cl and Br content is less than 1500ppm.

• All specifications are subject to change without notice.

Overview of the HFxxACB Series

RECOMMENDED REFLOW PROFILE



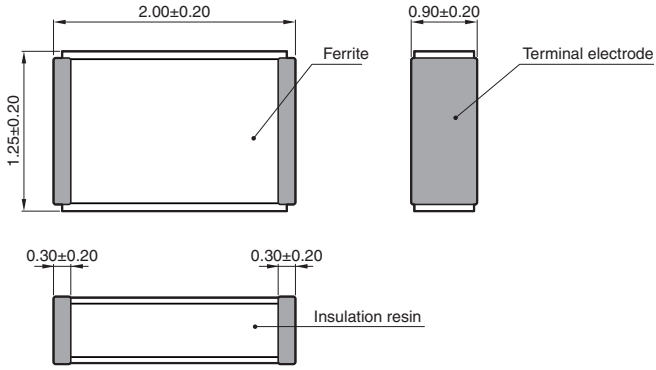
| Preheating | | | Soldering | | Peak | |
|------------|-------|------------|-----------|-----------|--------------|------|
| Temp. | Temp. | Time | Temp. | Time | Temp. | Time |
| T1 | T2 | t1 | T3 | t2 | T4 | t3 |
| 150°C | 180°C | 60 to 120s | 230°C | 30 to 60s | 250 to 260°C | 10s |

HFxxACB series

HFxxACB2012 Type

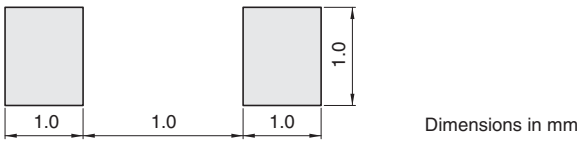


SHAPE & DIMENSIONS



Dimensions in mm

RECOMMENDED LAND PATTERN



Dimensions in mm

• All specifications are subject to change without notice.

HFxxACB series HFxxACB2012 Type

■ ELECTRICAL CHARACTERISTICS

□ CHARACTERISTICS SPECIFICATION TABLE

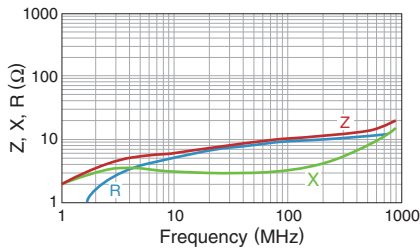
| Impedance [100MHz] | | DC resistance (Ω)max. | Rated current (mA)max. | Part No. |
|-----------------------|------------|-----------------------------------|---------------------------|-----------------|
| (Ω) | Tolerance | | | |
| 10 | $\pm 25\%$ | 0.1 | 600 | HF70ACB201209-T |
| 11 | $\pm 25\%$ | 0.1 | 600 | HF50ACB201209-T |
| 7 | $\pm 25\%$ | 0.1 | 600 | HF30ACB201209-T |

HFxxACB series HFxxACB2012 Type

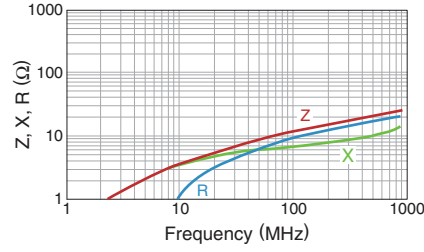
ELECTRICAL CHARACTERISTICS

Z, X, R VS. FREQUENCY CHARACTERISTICS

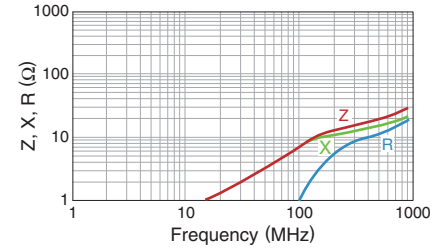
HF70ACB201209



HF50ACB201209



HF30ACB201209



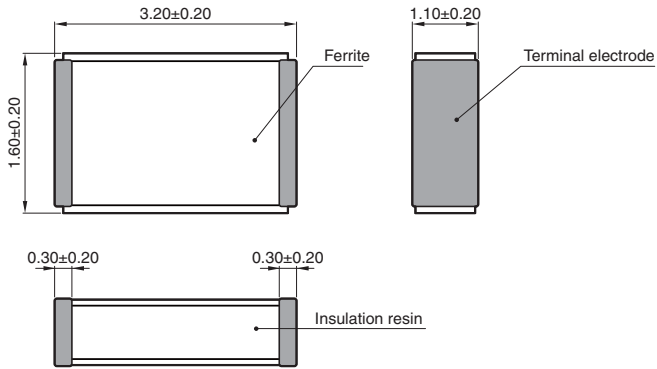
• All specifications are subject to change without notice.

HFxxACB series

HFxxACB3216 Type

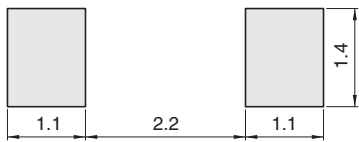


SHAPE & DIMENSIONS



Dimensions in mm

RECOMMENDED LAND PATTERN



Dimensions in mm

HFxxACB series HFxxACB3216 Type

■ ELECTRICAL CHARACTERISTICS

□ CHARACTERISTICS SPECIFICATION TABLE

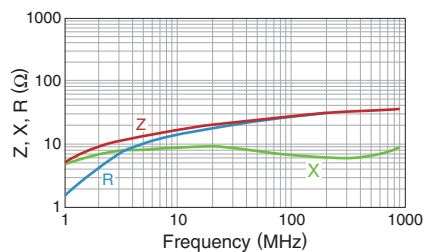
| Impedance [100MHz] | | DC resistance (Ω)max. | Rated current (mA)max. | Part No. |
|-----------------------|------------|-----------------------------------|---------------------------|-----------------|
| (Ω) | Tolerance | | | |
| 26 | $\pm 25\%$ | 0.2 | 500 | HF70ACB321611-T |
| 31 | $\pm 25\%$ | 0.2 | 500 | HF50ACB321611-T |
| 19 | $\pm 25\%$ | 0.2 | 500 | HF30ACB321611-T |

HFxxACB series **HFxxACB3216** Type

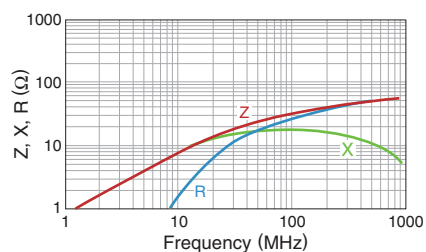
■ ELECTRICAL CHARACTERISTICS

□ Z, X, R VS. FREQUENCY CHARACTERISTICS

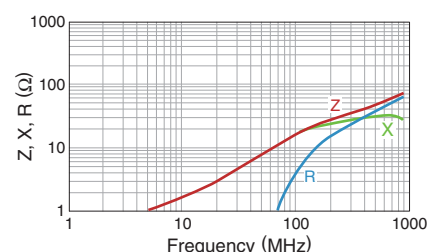
HF70ACB321611



HF50ACB321611



HF30ACB321611



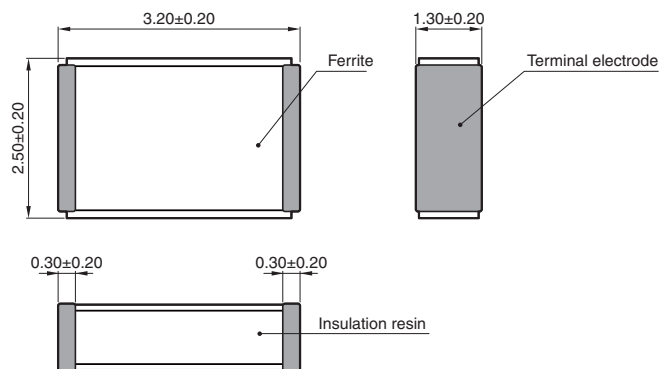
• All specifications are subject to change without notice.

HFxxACB series

HFxxACB3225 Type

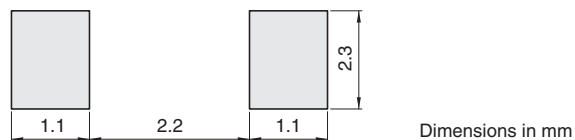


SHAPE & DIMENSIONS



Dimensions in mm

RECOMMENDED LAND PATTERN



• All specifications are subject to change without notice.

HFxxACB series HFxxACB3225 Type

■ ELECTRICAL CHARACTERISTICS

□ CHARACTERISTICS SPECIFICATION TABLE

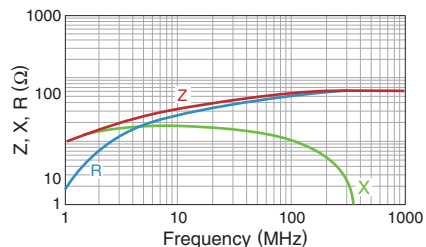
| Impedance [100MHz] | | DC resistance (Ω)max. | Rated current (mA)max. | Part No. |
|-----------------------|------------|-----------------------------------|---------------------------|-----------------|
| (Ω) | Tolerance | | | |
| 52 | $\pm 25\%$ | 0.3 | 400 | HF70ACB322513-T |
| 60 | $\pm 25\%$ | 0.3 | 400 | HF50ACB322513-T |
| 31 | $\pm 25\%$ | 0.3 | 400 | HF30ACB322513-T |

HFxxACB series **HFxxACB3225 Type**

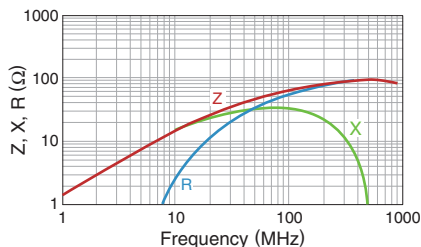
■ ELECTRICAL CHARACTERISTICS

□ Z, X, R VS. FREQUENCY CHARACTERISTICS

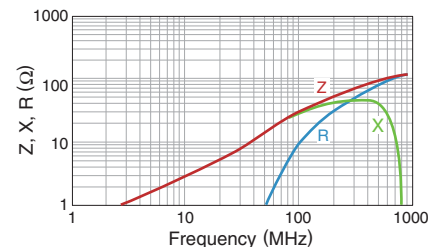
HF70ACB322513



HF50ACB322513



HF30ACB322513



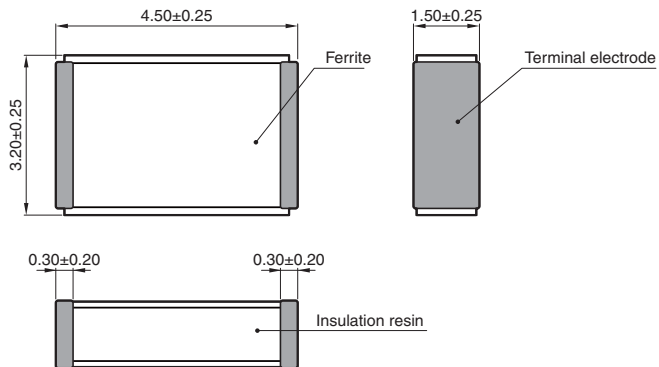
• All specifications are subject to change without notice.

HFxxACB series

HFxxACB4532 Type

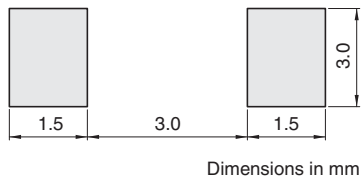


SHAPE & DIMENSIONS



Dimensions in mm

RECOMMENDED LAND PATTERN



• All specifications are subject to change without notice.

HFxxACB series HFxxACB4532 Type

■ ELECTRICAL CHARACTERISTICS

□ CHARACTERISTICS SPECIFICATION TABLE

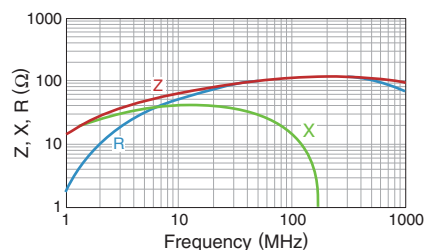
| Impedance [100MHz] | | DC resistance (Ω)max. | Rated current (mA)max. | Part No. |
|-----------------------|------------|-----------------------------------|---------------------------|-----------------|
| (Ω) | Tolerance | | | |
| 120 | $\pm 25\%$ | 0.4 | 300 | HF70ACB453215-T |
| 125 | $\pm 25\%$ | 0.4 | 300 | HF50ACB453215-T |
| 70 | $\pm 25\%$ | 0.4 | 300 | HF30ACB453215-T |

HFxxACB series HFxxACB4532 Type

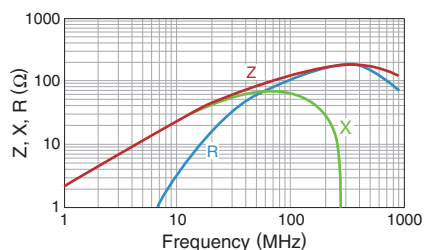
ELECTRICAL CHARACTERISTICS

Z, X, R VS. FREQUENCY CHARACTERISTICS

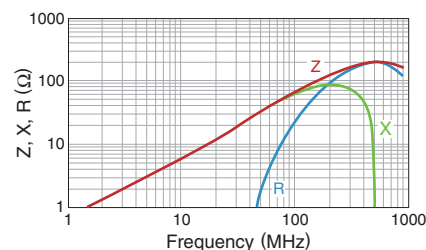
HF70ACB453215



HF50ACB453215



HF30ACB453215

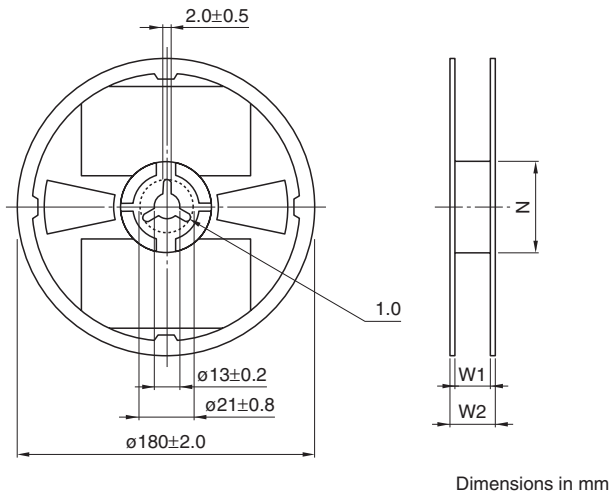


• All specifications are subject to change without notice.

HFxxACB series

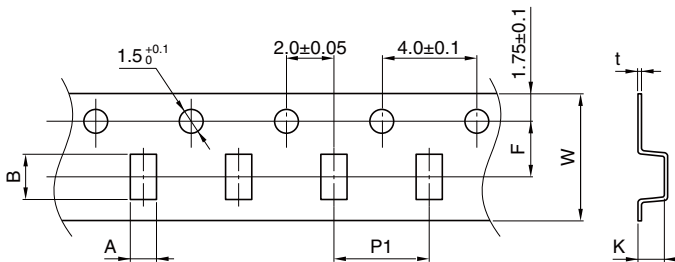
Packaging style

REEL DIMENSIONS

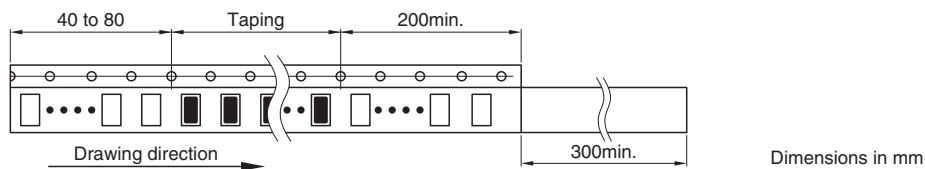


| Type | W1 | W2 | N |
|-------------|--------------|----------|---------|
| HFxxACB2012 | 8.4+2.0/-0.0 | 14.4max. | ø60min. |
| HFxxACB3216 | 8.4+2.0/-0.0 | 14.4max. | ø60min. |
| HFxxACB3225 | 8.4+2.0/-0.0 | 14.4max. | ø60min. |
| HFxxACB4532 | 13.0±0.3 | 17.0±1.4 | ø61min. |

TAPE DIMENSIONS



| Type | A | B | F | P1 | W | K | t |
|-------------|----------|----------|----------|---------|----------|----------|----------|
| HFxxACB2012 | 1.4±0.1 | 2.25±0.1 | 3.5±0.05 | 4.0±0.1 | 8.0±0.3 | 1.25max. | 0.3max. |
| HFxxACB3216 | 1.75±0.1 | 3.45±0.1 | 3.5±0.05 | 4.0±0.1 | 8.0±0.3 | 1.4max. | 0.3max. |
| HFxxACB3225 | 2.6±0.1 | 3.45±0.1 | 3.5±0.05 | 4.0±0.1 | 8.0±0.3 | 1.6max. | 0.35max. |
| HFxxACB4532 | 3.37±0.1 | 4.75±0.1 | 5.5±0.05 | 8.0±0.1 | 12.0±0.3 | 1.8max. | 0.4max. |



• All specifications are subject to change without notice.