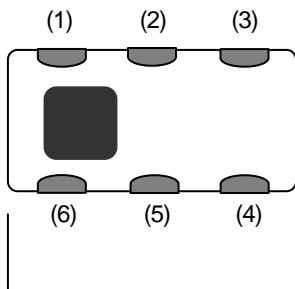


# 1608 TYPE MULTILAYER Low Pass Filter

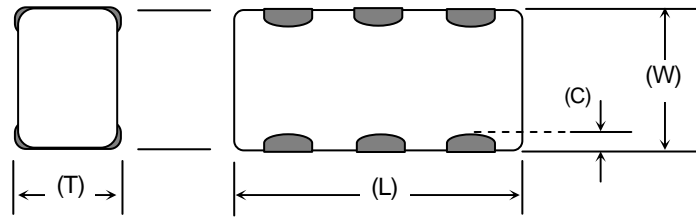
P/N: **DEA160787LT-5032A1**

## MECHANICAL DIMENSIONS

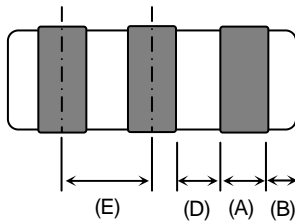
[Top View]



[Bottom View]



[Side View]



Dimension (mm)

(L)	(W)	(T)	(A)	(B)	(C)	(D)	(E)
1.60	0.80	0.60	0.30	0.10	0.15	0.25	0.50
+/-0.10	+/-0.10	+/-0.10	+/-0.10	+/-0.10	+/-0.10	+/-0.10	+0.10 /-0.05

PIN Configuration

(1)	(2)	(3)	(4)	(5)	(6)
IN	GND	OUT	GND	NC	GND

## TEMPERATURE RANGE

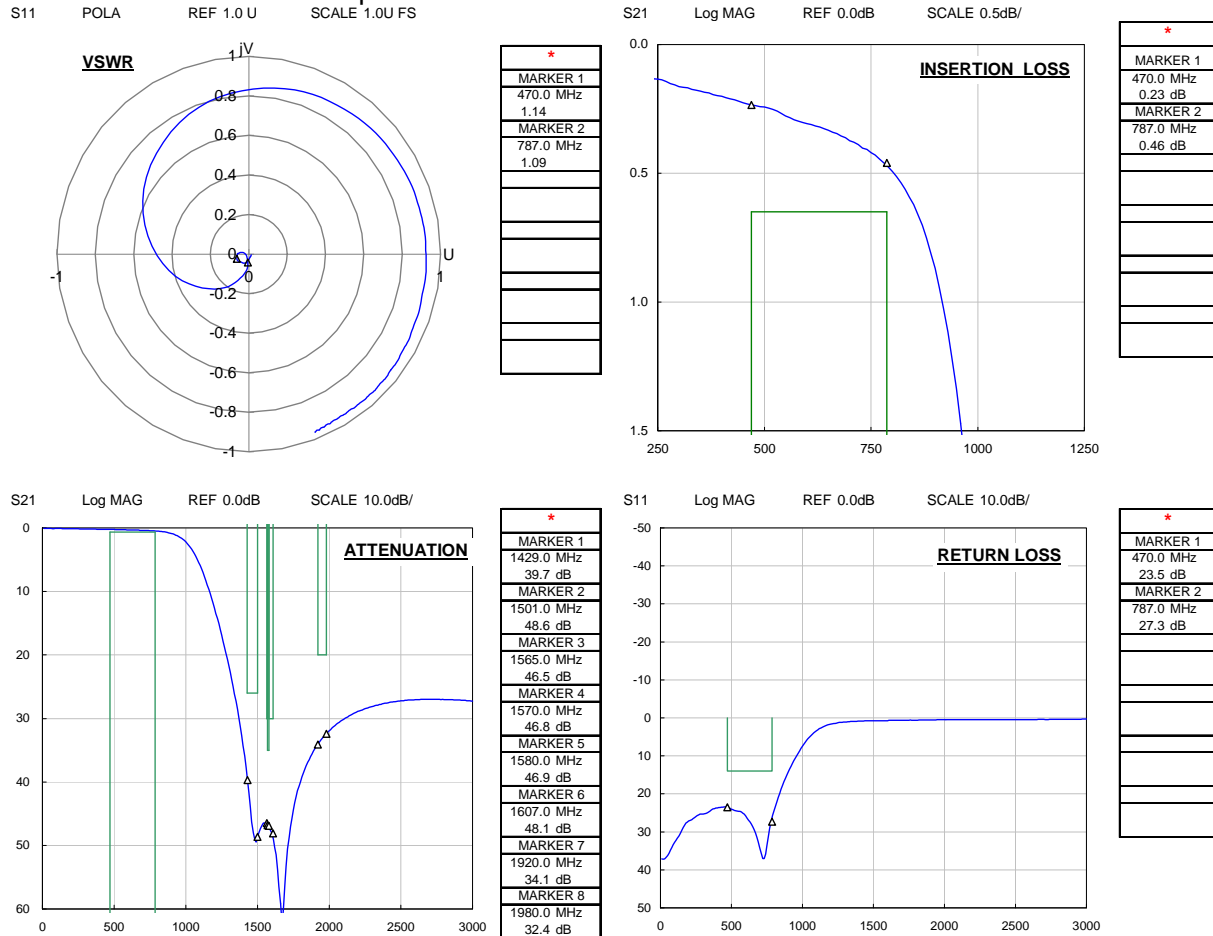
Storage Temperature	-40 ~ +85 °C
Operating Temperature	-40 ~ +85 °C

## ELECTRICAL CHARACTERISTICS (Ta= +25 ± 5 °C)

No.	Parameter	Freq. (MHz)	Specification	Typical Value	Unit
1	Center Frequency	628.50	-	-	-
2	Insertion Loss	470-787	0.65 max.	0.46	dB
3	Insertion Loss (-40 ~ +85 deg.C)	470-787	0.71 max.	-	dB
4	VSWR	470-787	1.5 max.	1.14	-
5	Attenuation	1429-1501	26 min.	39.7	dB
6		1565-1570	30 min.	46.5	dB
7		1570-1580	35 min.	46.8	dB
8		1580-1607	30 min.	46.9	dB
9		1920-1980	20 min.	32.4	dB
10	Power	-	3.0 max	-	W

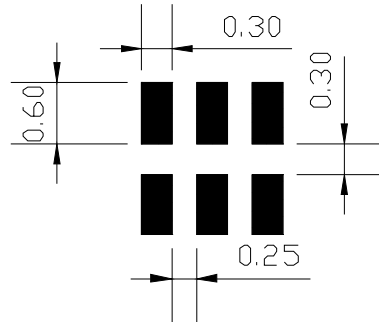
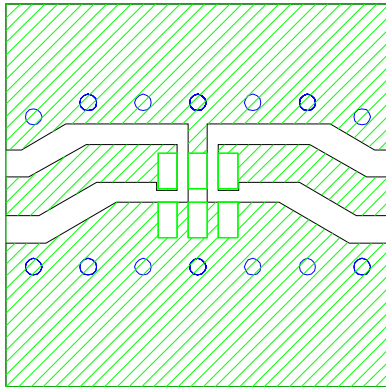
## FREQUENCY CHARACTERISTICS

DEA160787LT-5032A1 Sample Data



Note: All specifications are subject to change and are not guaranteed.

## RECOMMENDED PCB PATTERN



unit : mm  
■ Land

**Note:**

Line width be designed to match 50 Ohm characteristic impedance, depending on PCB material and thickness.