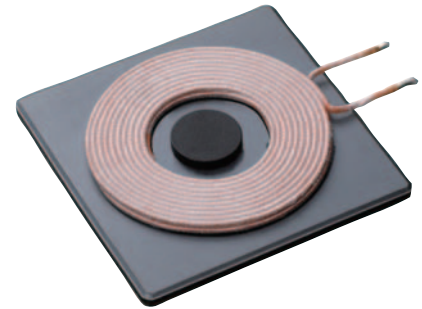
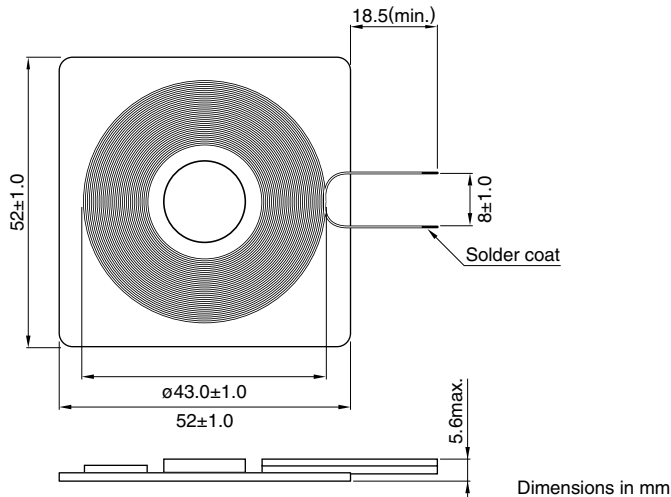


Tx Coil Units

WT525225-20K2-A1-G

SHAPE & DIMENSIONS



ELECTRICAL CHARACTERISTICS

CHARACTERISTICS SPECIFICATION TABLE

Part No.	WT525225-20K2-A1-G
WPC Compliant	WPC A1 and WPC A9
Input Voltage (V)	19 (A1), 12 (A9)
Inductance (μH) [100kHz, 1Vrms]	24
DC resistance (Ω) max. [25°C]	0.10
Ferrite type	Solid
Magnet (mm)	Bond Mg 12.5x2.0
Sheet Size (mm)	52.0 x 52.0
Coil Turns	10ts x 2Layers 20Ts
Thickness of Coil + Sheet (mm) typ.	4.63
Thickness of Incl. I/O (mm) typ.	—
Coil Outer Size (mm) typ.	φ43