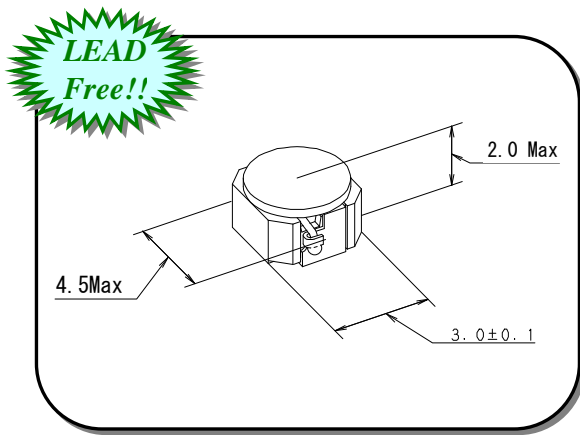


# LTF 3020-D Series SMD Power Inductor

## Component Image Fig



Unit:mm

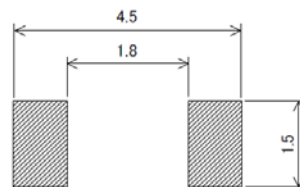
## Feature

- a) Miniature Size :  
Mount Area :3.0mm x 3.0mm  
Low Profile : 2.0mm Max. Height
- b) Generic use for portable DC/DC Converter Line.
- c) Low Profile as a 2.0mm Height.
- d) High Rated DC Current.
- e) This Product is not used any of the LEAD Materials.
- f) Ferrite shielded component.
- g) Automatic Mounting in Tape & Reel Package.
- h) Qualified acc. AEC-Q200

## Applications :

Automotive

## Recommended Land Pattern



## Electrical Specification

TDK Identification	Inductance[ $\mu$ H]		Test Freq. (MHz)	DC Resistance[ohm]		Rated DC Current[A]	
		Tol. (%)		Spec. (max.)	(Typ.)	Idc 1 (max.)	Idc 2 (Typ.)
LTF3020T- 1R2N-D	1.2	+/-30%	1	0.053	0.044	1.52	1.91
LTF3020T- 1R8N-D	1.8	+/-30%	1	0.060	0.050	1.34	1.78
LTF3020T- 2R2N-D	2.2	+/-30%	1	0.077	0.064	1.20	1.58
LTF3020T- 2R7N-D	2.7	+/-30%	1	0.087	0.072	1.09	1.49
LTF3020T- 3R3N-D	3.3	+/-30%	1	0.11	0.091	0.99	1.33
LTF3020T- 4R7N-D	4.7	+/-30%	1	0.14	0.11	0.85	1.19
LTF3020T- 5R6N-D	5.6	+/-30%	1	0.17	0.14	0.79	1.07
LTF3020T- 6R8N-D	6.8	+/-30%	1	0.22	0.19	0.69	0.92
LTF3020T- 100M-D	10	+/-20%	1	0.26	0.22	0.59	0.82
LTF3020T- 150M-D	15	+/-20%	1	0.38	0.33	0.49	0.68
LTF3020T- 220M-D	22	+/-20%	1	0.57	0.50	0.40	0.55
LTF3020T- 330M-D	33	+/-20%	1	0.73	0.64	0.32	0.49
LTF3020T- 470M-D	47	+/-20%	1	1.09	0.95	0.28	0.39
LTF3020T- 560M-D	56	+/-20%	1	1.21	1.05	0.25	0.37

Note) Idc 1 : Depend on the Inductance Saturation. (-30% Reduction from Nominal L Value)

Idc 2 : Depend on the Self Temperature Rise (40 deg.C Typ.)

Operating Temperature Range : -40deg.C ~ +150deg.C (including Self Temp. Rise)