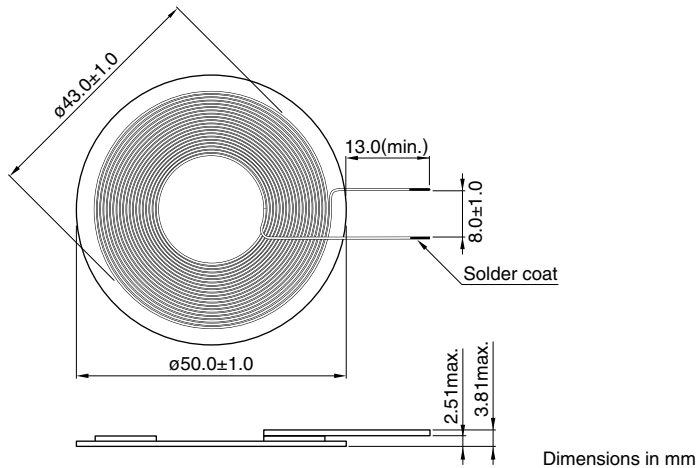


Tx Coil Units

WT505090-10K2-A11-G

SHAPE & DIMENSIONS



ELECTRICAL CHARACTERISTICS

CHARACTERISTICS SPECIFICATION TABLE

Part No.	WT505090-10K2-A11-G
WPC Compliant	WPC A11
Input Voltage (V)	5 (A11)
Inductance (μH) [100kHz, 1Vrms]	6.3
DC resistance (Ω) max. [25°C]	0.06
Ferrite type	Flexible
Magnet (mm)	Nothing
Sheet Size (mm)	ø50
Coil Turns	10ts x 1Layers
Thickness of Coil + Sheet (mm) typ.	2.08
Thickness of Incl. I/O (mm) typ.	3.13
Coil Outer Size (mm) typ.	ø43