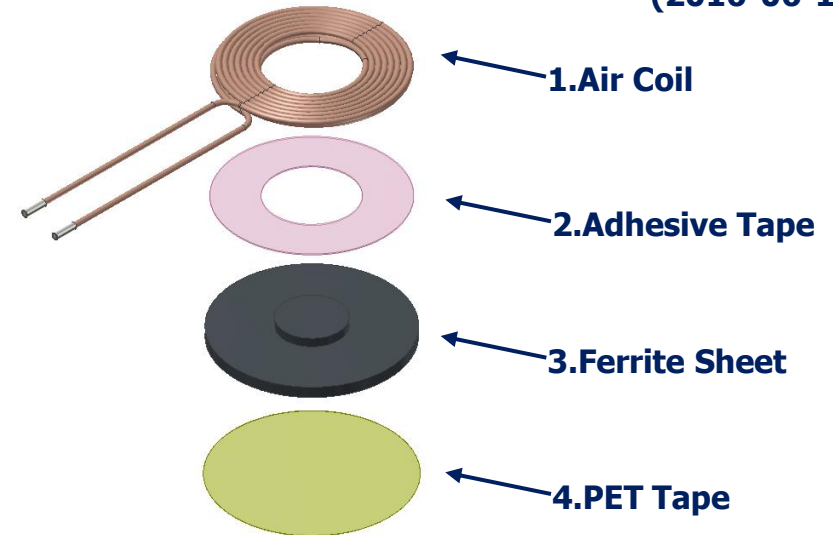
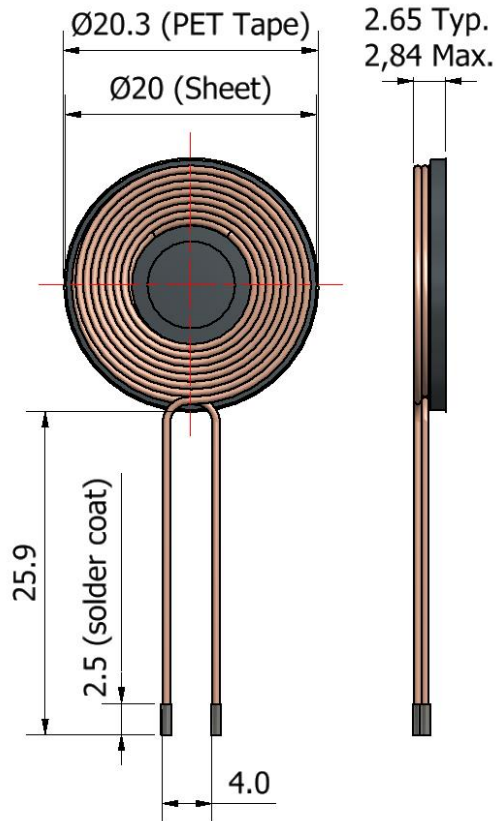


(2016-06-14)

**= Dimension of coil unit =**



**= Electrical Characteristics =**

- $L_s$  [uH] : 6.20 uH +/- 5% @100kHz
- $R_s$  [Ohm] : 0.095  $\Omega$  +/-10% @100kHz
- $R_{dc}$  [Ohm] : 0.08  $\Omega$  typ