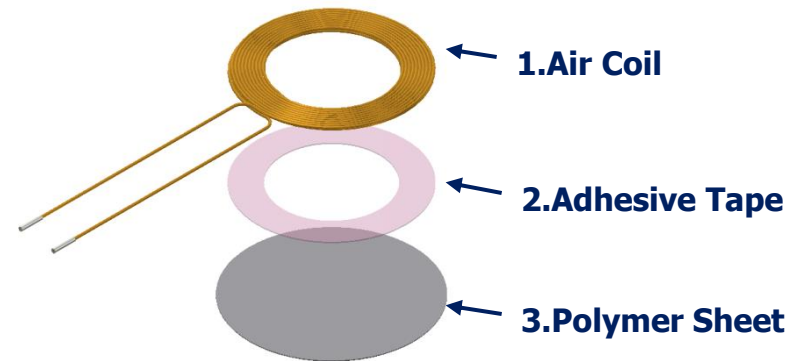
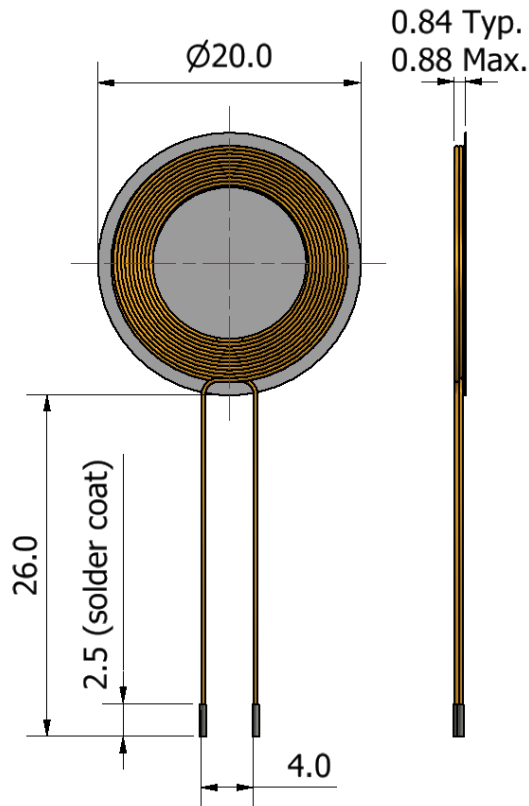


= Dimension of coil unit =



= Electrical Characteristics =

- L_s [uH] : $11.0 \text{ uH} \pm 5\%$ @ 100kHz
- R_s [Ohm] : $0.40 \Omega \pm 10\%$ @ 100kHz
- R_{dc} [Ohm] : 0.35Ω typ