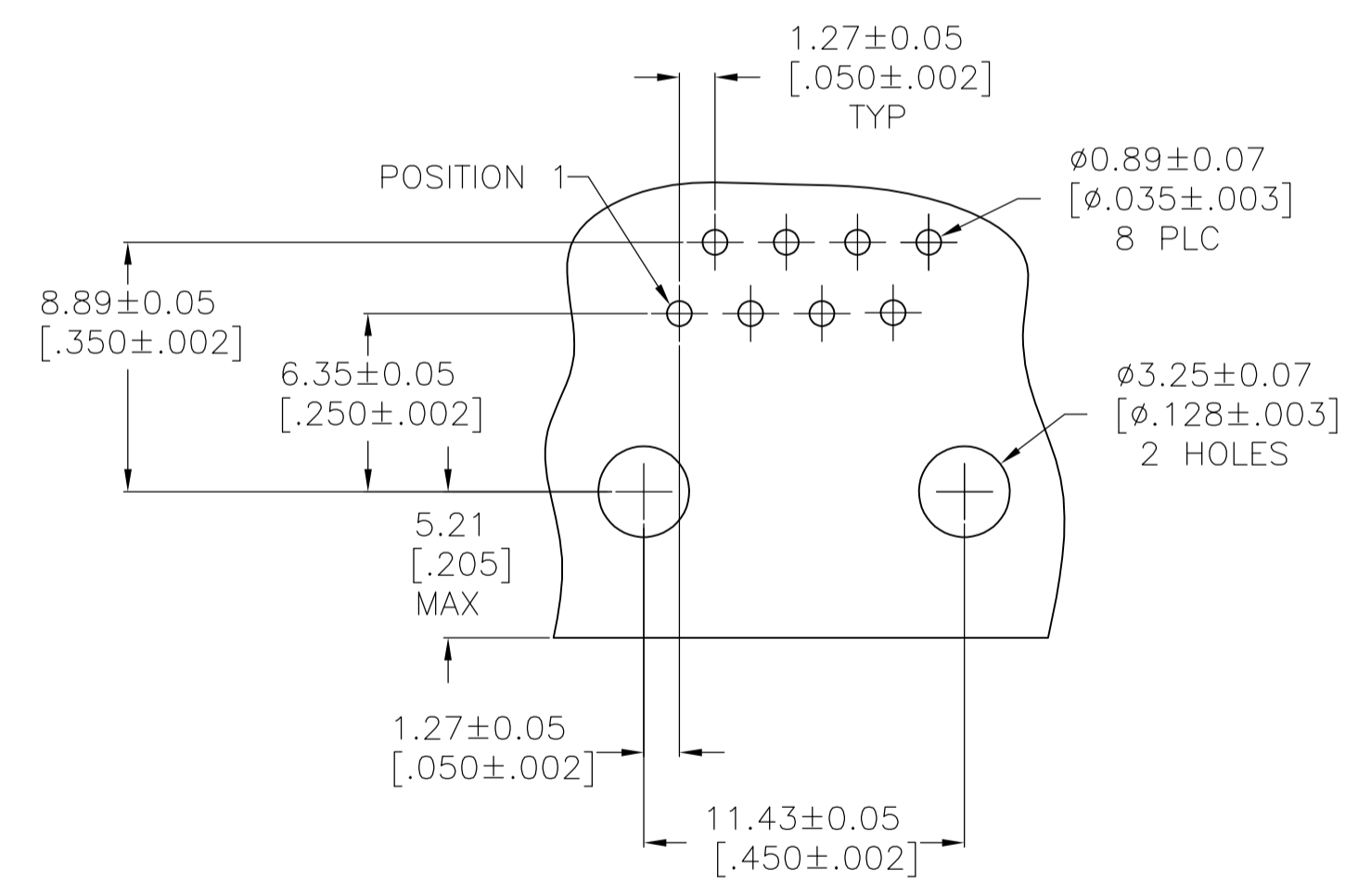
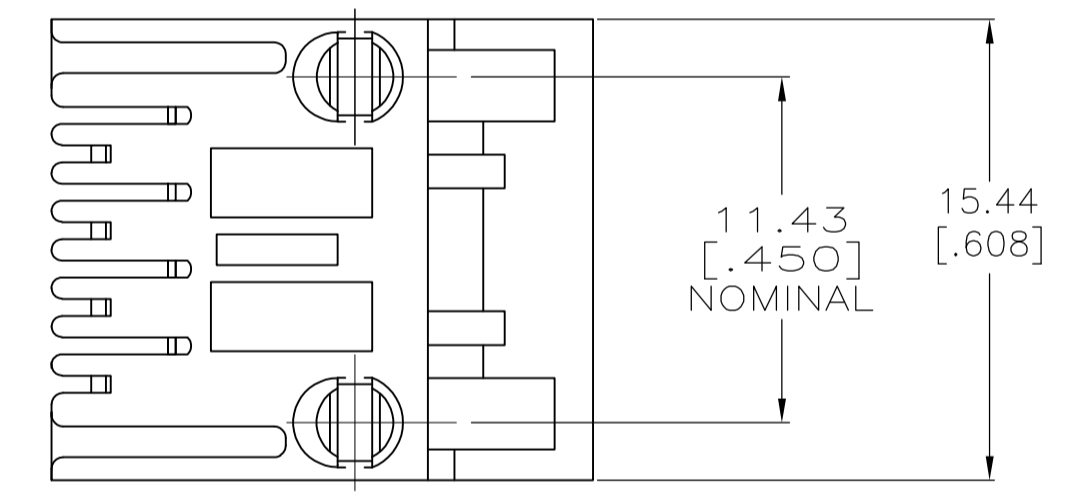
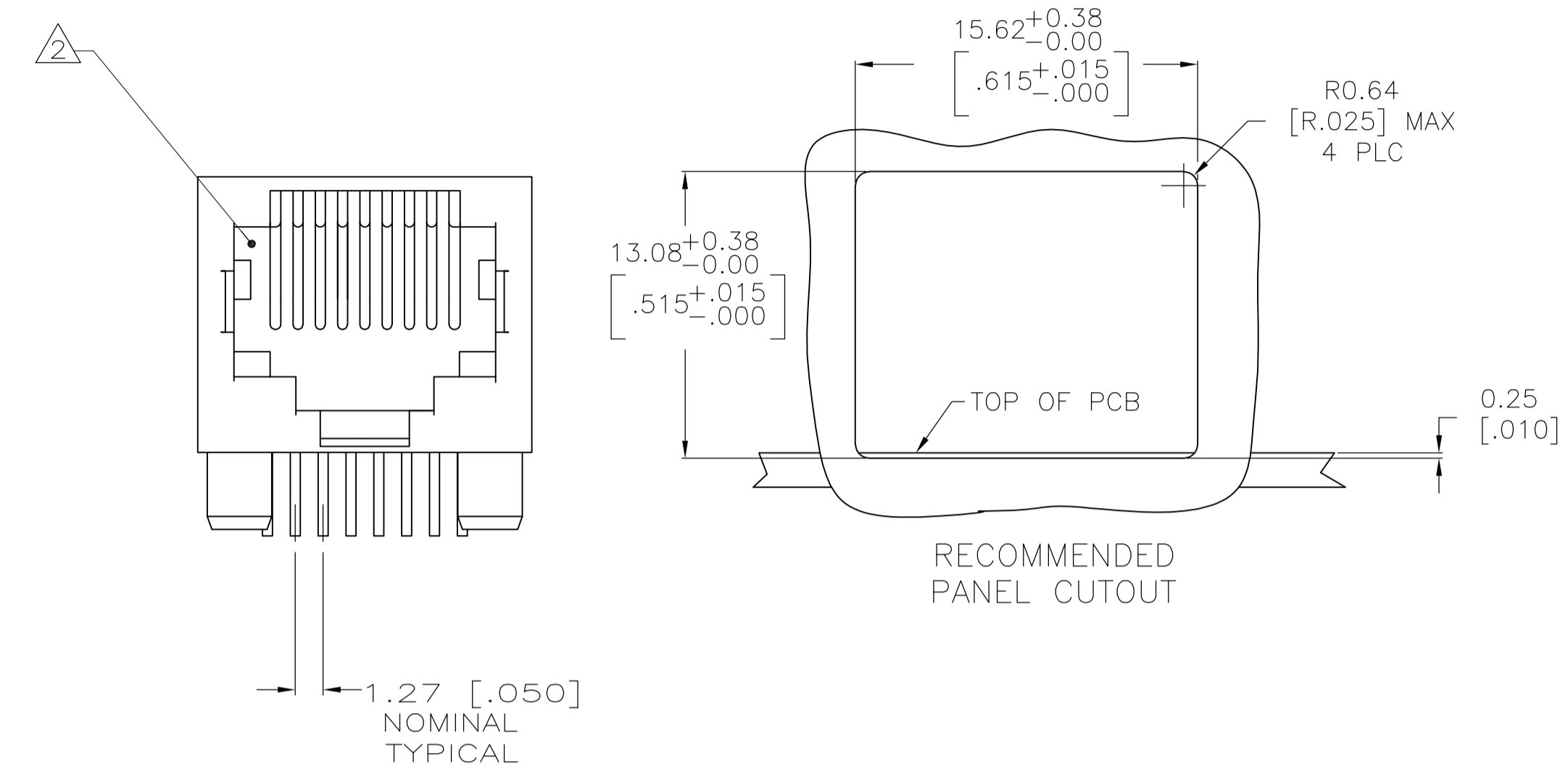
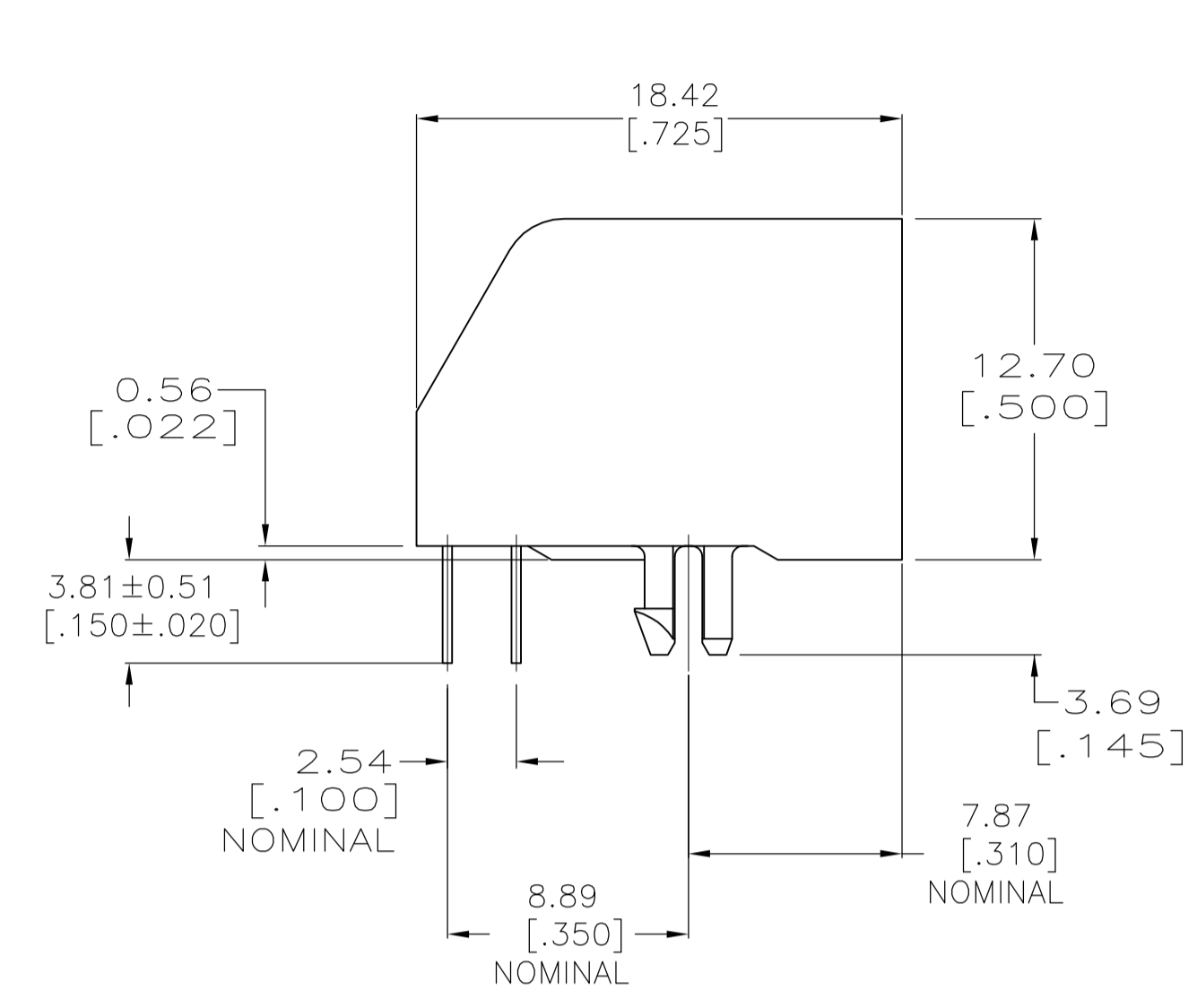


LOC	DIST	REVISIONS			
AA	00	REV	DATE	BY	APPV
B1		REVISED PER ECO-11-005140	28MAR11	RK	HMR



RECOMMENDED PRINTED CIRCUIT BOARD LAYOUT COMPONENT SIDE SHOWN

- MATERIAL:  
HOUSING - PBT POLYESTER, COLOR: BLACK  
TERMINAL - 0.36 [.014] THICK PHOS BRONZE PLATED WITH 1.27µm [.000050] MINIMUM THICK HARD GOLD IN LOCALIZED GOLD PLATE AREA AND 2.03µm [.000080] MINIMUM THICK MATTE TIN IN SOLDER AREA OVER 1.27µm [.000050] THICK NICKEL UNDERPLATE.
- CAVITY CONFORMS TO FCC RULES AND REGULATIONS PART 68, SUBPART F.
- DIMENSIONS ARE MAXIMUM UNLESS OTHERWISE SPECIFIED.
- BULK PACKAGED IN A TRAY.
- 37 ASSEMBLIES PACKAGED PER TUBE

8	5555164-4
8	5555164-1
PACKAGED	TERMINALS REQUIRED PART NUMBER

THIS DRAWING IS A CONTROLLED DOCUMENT.

DIMENSIONS: mm [INCHES]	TOLERANCES UNLESS OTHERWISE SPECIFIED:	0 PLC ± -	1 PLC ± -	2 PLC ± 0.13[.005]	3 PLC ± -	4 PLC ± -	ANGLES ± -
SEE NOTE 1	SEE NOTE 1	MATERIAL WEIGHT					

DIN G. ATTADIA - DOCKS CHK J. WESTMAN APVD S. FLICKINGER	08JUN2005 08JUN2005 08JUN2005	NAME MODULAR JACK ASSEMBLY, 8 POSITION, LOW PROFILE, RIGHT ANGLE, WITHOUT PANEL STOPS
PRODUCT SPEC 108-1163	APPLICATION SPEC 114-2048	SIZE A1 CASE CODE 00779 DRAWING NO. 5555164
CUSTOMER DRAWING		SCALE 4:1 SHEET 1 OF 1 REV B1

STE TE Connectivity