


THIS DRAWING IS UNPUBLISHED. RELEASED FOR PUBLICATION AUG. 2006.
 © COPYRIGHT BY TYCO ELECTRONICS CORPORATION. ALL RIGHTS RESERVED.

LOC	DIST	REVISIONS					
DW		P	LTR	DESCRIPTION	DATE	DWN	APVD
		F7		REVISED(ECR-14-016406), ADD SIDE VIEW AND REDRAW	08DEC14	S.C.	H.L.

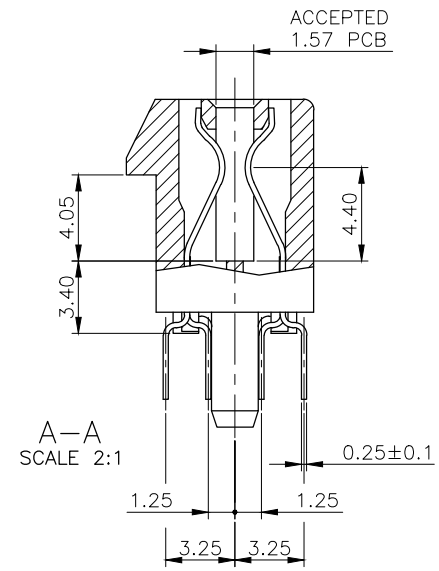
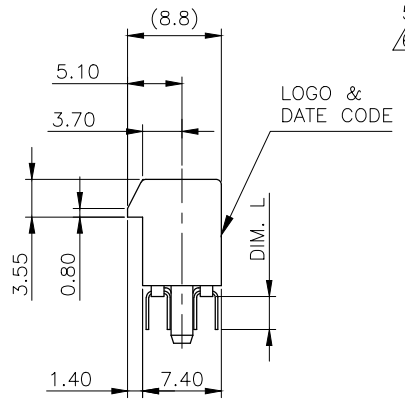
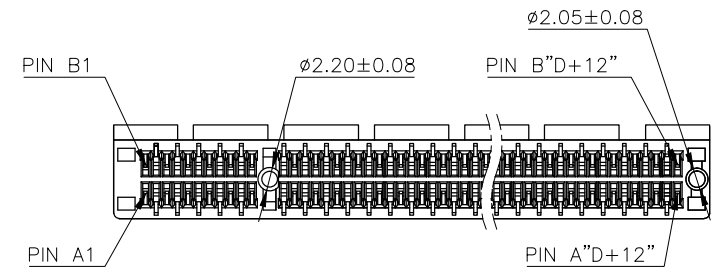
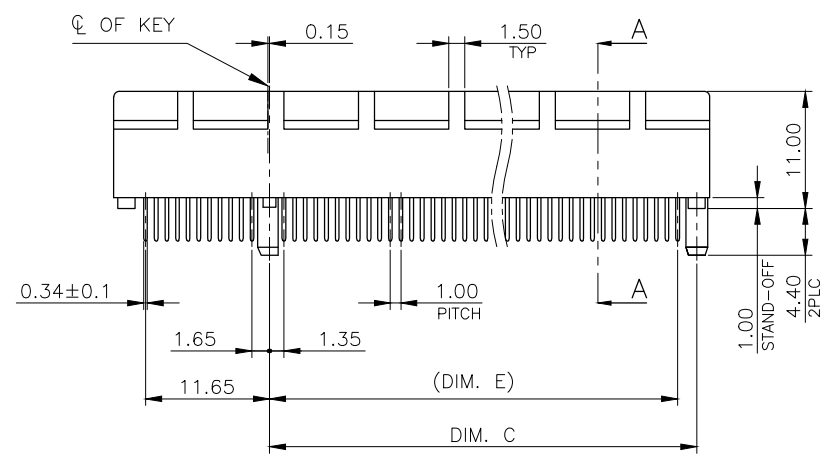
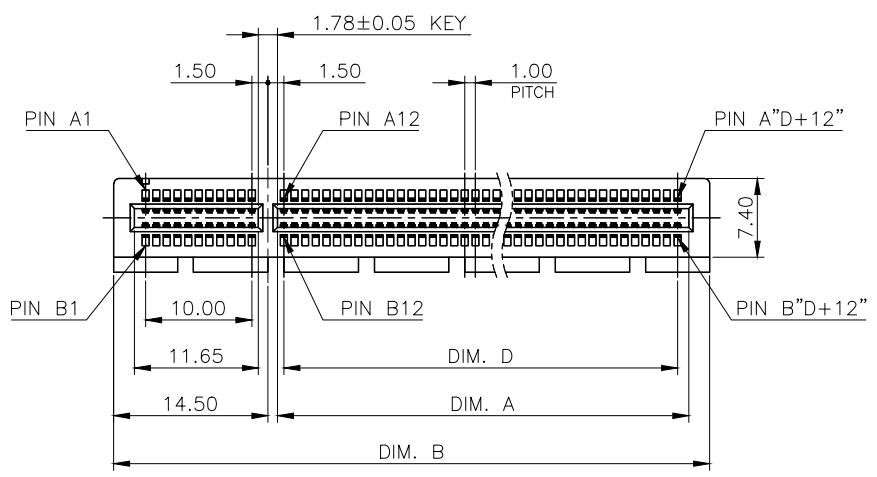
WEIGHT(g)	PCI-E COMPLIANCE	HOUSING MATERIAL	DIM. L	DIM. E	DIM. D	DIM. C	DIM. B	DIM. A	POS.	HOUSING COLOR	MIN. GOLD THICKNESS	PART NUMBER			
8.7	GEN II & GEN III	PA9T	2.30	71.35	70	73.15	89	71.65	164	BLACK	30u"	4-1734774-8			
5.45										WHITE		4-1734774-7			
3.85										BLACK		4-1734774-6			
2.55										WHITE		4-1734774-5			
8.7										BLACK		4-1734774-4			
5.45										WHITE		4-1734774-3			
3.85				BLACK	4-1734774-2										
2.55				WHITE	4-1734774-1										
8.7				GEN II & GEN III	PA9T	2.30	71.35	70	73.15	89	71.65	164	BLACK	30u"	15u" 4-1734774-0
5.45													G/F		3-1734774-9
3.85													WHITE		15u" 3-1734774-8
2.55													G/F		3-1734774-7
8.7	BLACK	15u" 3-1734774-6													
5.45	G/F	3-1734774-5													
3.85	WHITE	15u" 3-1734774-4													
2.55	G/F	3-1734774-3													
8.7	GEN II & GEN III	PA9T	3.10				71.35	70	73.15	89	71.65	164	BLACK	30u"	15u" 2-1734774-4
5.45													G/F		2-1734774-3
3.85													WHITE		15u" 2-1734774-2
2.55													G/F		2-1734774-1
8.7				BLACK	15u" 2-1734774-0										
5.45				G/F	1-1734774-9										
3.85				WHITE	15u" 1-1734774-8										
2.55				G/F	1-1734774-7										
8.7				GEN II & GEN III	PA9T	3.10	71.35	70	73.15	89	71.65	164	BLACK	30u"	15u" 1-1734774-6
5.45													G/F		1-1734774-5
3.85													WHITE		15u" 1-1734774-4
2.55													G/F		1-1734774-3
8.7	BLACK	15u" 1-1734774-2													
5.45	G/F	1-1734774-1													
3.85	WHITE	15u" 1-1734774-0													
2.55	G/F	1734774-9													
8.7	GEN II & GEN III	PA9T	3.10				21.35	20	23.15	39	21.65	64	BLACK	30u"	15u" 1734774-8
5.45													G/F		1734774-7
3.85													WHITE		15u" 1734774-7
2.55													G/F		1734774-6
8.7				BLACK	15u" 1734774-6										
5.45				G/F	1734774-5										
3.85				WHITE	15u" 1734774-4										
2.55				G/F	1734774-3										
8.7				GEN II & GEN III	PA9T	3.10	7.35	6	9.15	25	7.65	36	BLACK	30u"	15u" 1734774-4
5.45													G/F		1734774-3
3.85													WHITE		15u" 1734774-3
2.55													G/F		1734774-2
8.7	BLACK	15u" 1734774-2													
5.45	G/F	1734774-1													
3.85	WHITE	15u" 1734774-1													
2.55	G/F	1734774-0													

WEIGHT(g)	PCI-E COMPLIANCE	HOUSING MATERIAL	DIM. L	DIM. E	DIM. D	DIM. C	DIM. B	DIM. A	POS.	HOUSING COLOR	MIN. GOLD THICKNESS	PART NUMBER			
8.8	GEN II	PA46	2.30	71.35	70	73.15	89	71.65	164	BLACK	30u"	9-1734774-7			
5.5										WHITE		9-1734774-6			
3.9										BLACK		9-1734774-5			
2.55										WHITE		9-1734774-4			
8.8										BLACK		9-1734774-3			
5.5										WHITE		9-1734774-2			
3.9				BLACK	9-1734774-1										
2.55				WHITE	9-1734774-0										
8.8				GEN II	PA46	2.30	71.35	70	73.15	89	71.65	164	BLACK	30u"	15u" 8-1734774-9
5.5													G/F		8-1734774-8
3.9													WHITE		15u" 8-1734774-7
2.55													G/F		8-1734774-6
8.8	BLACK	15u" 8-1734774-5													
5.5	G/F	8-1734774-4													
3.9	WHITE	15u" 8-1734774-3													
2.55	G/F	8-1734774-2													
8.8	GEN II	PA46	2.30				21.35	20	23.15	39	21.65	64	BLACK	30u"	15u" 8-1734774-0
5.5													G/F		8-1734774-0
3.9													WHITE		15u" 7-1734774-9
2.55													G/F		7-1734774-8
8.8				BLACK	15u" 7-1734774-7										
5.5				G/F	7-1734774-6										
3.9				WHITE	15u" 7-1734774-5										
2.55				G/F	7-1734774-4										
8.8				GEN II	PA46	3.10	71.35	70	73.15	89	71.65	164	BLACK	30u"	7-1734774-3
5.5													WHITE		7-1734774-2
3.9													BLACK		7-1734774-1
2.55													WHITE		7-1734774-0
8.8	BLACK	6-1734774-9													
5.5	WHITE	6-1734774-8													
3.9	BLACK	6-1734774-7													
2.55	WHITE	6-1734774-6													
8.8	GEN II	PA46	3.10				71.35	70	73.15	89	71.65	164	BLACK	30u"	15u" 6-1734774-5
5.5													G/F		6-1734774-4
3.9													WHITE		15u" 6-1734774-3
2.55													G/F		6-1734774-2
8.8				BLACK	15u" 6-1734774-1										
5.5				G/F	6-1734774-0										
3.9				WHITE	15u" 5-1734774-9										
2.55				G/F	5-1734774-8										
8.8				GEN II	PA46	3.10	21.35	20	23.15	39	21.65	64	BLACK	30u"	15u" 5-1734774-7
5.5													G/F		5-1734774-6
3.9													WHITE		15u" 5-1734774-5
2.55													G/F		5-1734774-4
8.8	BLACK	15u" 5-1734774-3													
5.5	G/F	5-1734774-2													
3.9	WHITE	15u" 5-1734774-1													
2.55	G/F	5-1734774-0													
8.8	GEN II	PA46	3.10				7.35	6	9.15	25	7.65	36	BLACK	30u"	15u" 5-1734774-3
5.5													G/F		5-1734774-2
3.9													WHITE		15u" 5-1734774-1
2.55													G/F		5-1734774-0
8.8				BLACK	15u" 5-1734774-0										
5.5				G/F	5-1734774-0										
3.9				WHITE	15u" 5-1734774-1										
2.55				G/F	5-1734774-2										

THIS DRAWING IS A CONTROLLED DOCUMENT.		DWN B. HSING 15JUL2009	 TE Connectivity	
DIMENSIONS: MM		CHK S. CHIEN 15JUL2009		
TOLERANCES UNLESS OTHERWISE SPECIFIED:		APVD W. KODAMA 15JUL2009	NAME	
0 PLC ± - 1 PLC ± 0.3 2 PLC ± 0.2 3 PLC ± 0.15 4 PLC ± - ANGLES ± 3'		PRODUCT SPEC 108-57871	PCI EXPRESS CARD EDGE CONNECTOR VERTICAL, DIP TYPE, 3GIO	
MATERIAL		APPLICATION SPEC	SIZE	CAGE CODE
FINISH		WEIGHT	DRAWING NO	RESTRICTED TO
		CUSTOMER DRAWING	A300779	C=1734774
		SCALE	SHEET	REV
			1 of 5	F7

THIS DRAWING IS UNPUBLISHED. RELEASED FOR PUBLICATION AUG ,2006.
 © COPYRIGHT BY TYCO ELECTRONICS CORPORATION. ALL RIGHTS RESERVED.

LOC		DIST		REVISIONS			
P	LTR	DESCRIPTION		DATE	DWN	APVD	
-	-	SEE SHEET 1		-	-	-	



- NOTES:
- MATERIAL:
 - HOUSING: 1.PA46 WITH 40% G.F, UL94 V-0, COLOR: SEE TABLE.
 - 2.PA9T WITH 30% GF, UL94 V-0, COLOR: SEE TABLE.
 - CONTACT: PHOSPHOR BRONZE

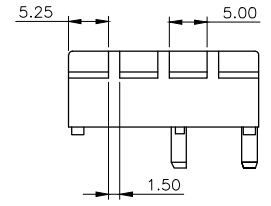
CONTACT: (SEE TABLE) GOLD PLATING ON CONTACT AREA.
 2.54um [100u"] MIN. MATTE-TIN PLATING ON SOLDER TAIL AREA.
 1.27um [50u"] MIN. NICKEL UNDERPLATING OVERALL.
 - CONNECTOR HAS MET THE REQUIREMENTS PER PCI EXPRESS GEN 2 TECHNICAL DOCUMENT.
 - WEIGHT:

36 POS.: 2.55 GRAMS; 64 POS.: 3.90 GRAMS
 98 POS.: 5.50 GRAMS; 164 POS.: 8.80 GRAMS
 - WAVE SOLDER CAPABLE TO 265°C PER TEST SPEC. 109-202 CONDITION B.
 REFLOW SOLDER CAPABLE TO 260°C PER TEST SPEC. 109-201 CONDITION B.
 (REFLOW SOLDERING PLEASE USE PN : 1734774-1 TO 4-1734774-8)

THIS DRAWING IS A CONTROLLED DOCUMENT.		DWN	-	STE TE Connectivity	
DIMENSIONS: MM		CHK	-		
TOLERANCES UNLESS OTHERWISE SPECIFIED:		APVD	-	NAME	
0 PLC ± -		PRODUCT SPEC		PCI EXPRESS CARD EDGE CONNECTOR VERTICAL, DIP TYPE, 3GIO	
1 PLC ± 0.3		APPLICATION SPEC		SIZE	A3
2 PLC ± 0.2		MATERIAL		CAGE CODE	00779
3 PLC ± 0.15		FINISH		DRAWING NO	C=1734774
4 PLC ± -		MATERIAL		WEIGHT	SEE NOTE 4
ANGLES ± 3'		MATERIAL		CUSTOMER DRAWING	
SEE NOTE		SEE NOTE		SCALE	-
				SHEET	2 of 5
				REV	F7

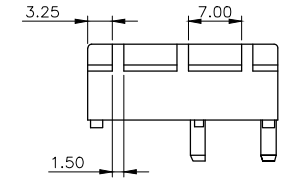
THIS DRAWING IS UNPUBLISHED. RELEASED FOR PUBLICATION AUG ,2006.
 © COPYRIGHT BY TYCO ELECTRONICS CORPORATION. ALL RIGHTS RESERVED.

LOC	DIST	REVISIONS			
P	LTR	DESCRIPTION	DATE	DWN	APVD
DW		SEE SHEET 1.			

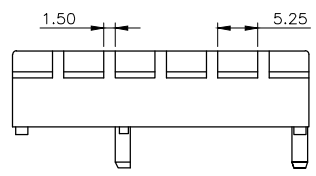


PN X-1 TO 4-X-8
(PA9T TYPE)

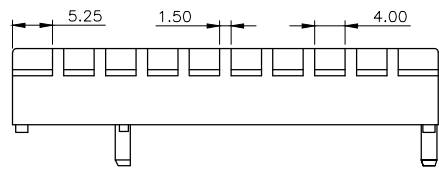
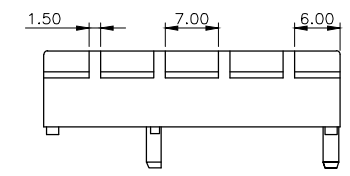
36 POS.



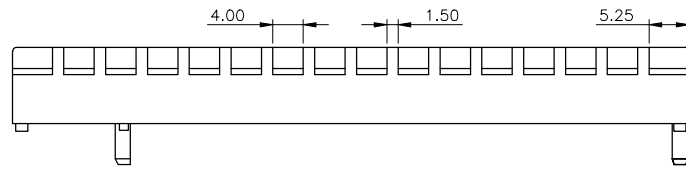
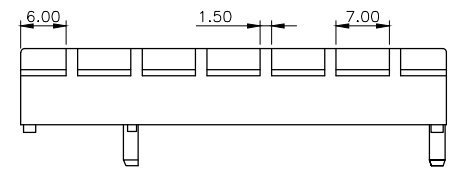
PN 5-X-0 TO 9-X-7
(PA46 TYPE)



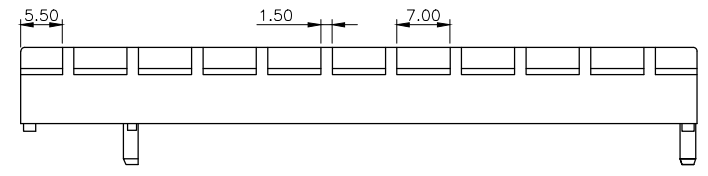
64 POS.



98 POS.



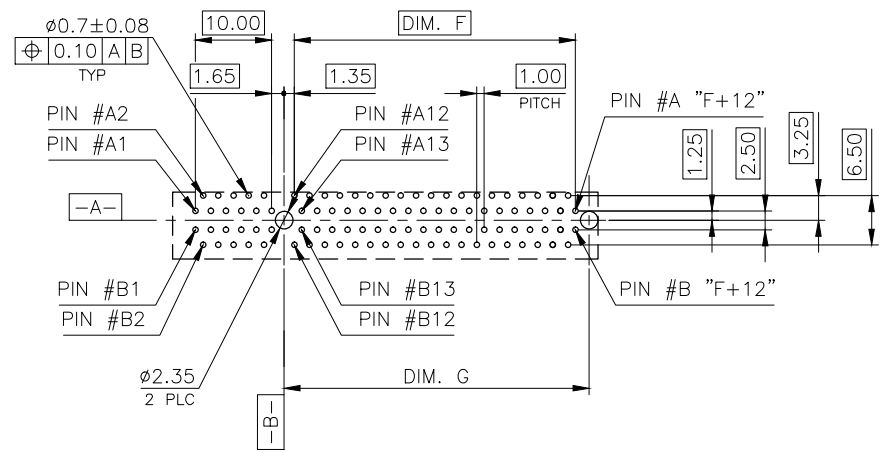
164 POS.



THIS DRAWING IS A CONTROLLED DOCUMENT.		DWN	TE Connectivity			
DIMENSIONS: MM		CHK				
DIMENSIONS: MM 		APVD	NAME			
TOLERANCES UNLESS OTHERWISE SPECIFIED: 0 PLC ± - 1 PLC ± 0.25 2 PLC ± 0.25 3 PLC ± 0.25 4 PLC ± - ANGLES ± -		PRODUCT SPEC	PCI EXPRESS CARD EDGE CONNECTOR VERTICAL, DIP TYPE, 3GIO			
MATERIAL		APPLICATION SPEC	SIZE	CAGE CODE	DRAWING NO	RESTRICTED TO
FINISH		WEIGHT	A3	00779	C=1734774	-
CUSTOMER DRAWING			SCALE	SHEET	3 of 5	REV F7

THIS DRAWING IS UNPUBLISHED. RELEASED FOR PUBLICATION AUG ,2006.
 © COPYRIGHT BY TYCO ELECTRONICS CORPORATION. ALL RIGHTS RESERVED.

LOC	DIST	REVISIONS					
DW		P	LTR	DESCRIPTION	DATE	DWN	APVD
		SEE SHEET 1.					

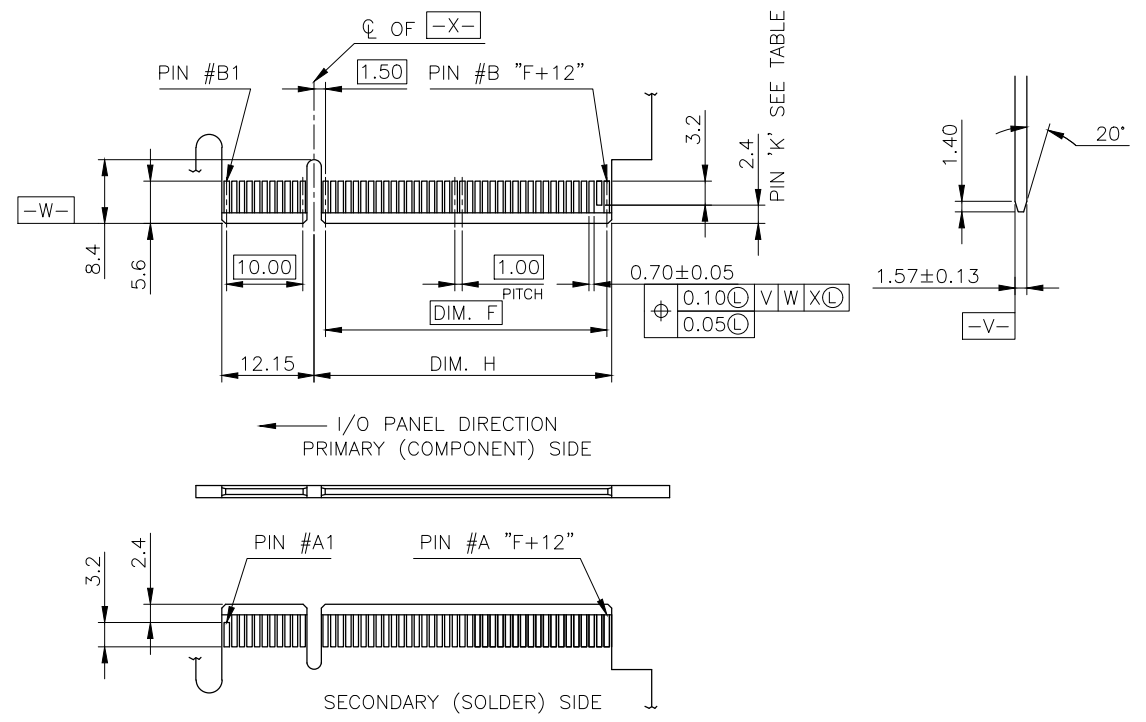


RECOMMENDED PCB LAYOUT

TOLERANCE: ±0.05
 FOR DIM.L=3.1mm PCB THICKNESS: 2.4mm
 FOR DIM.L=2.3mm PCB THICKNESS: 1.6mm

ADD-IN CARD EDGE-FINGER DIMENSIONS

NOTES:
 CHAMFER EDGE MUST BE FREE OF CUTTING BURRS

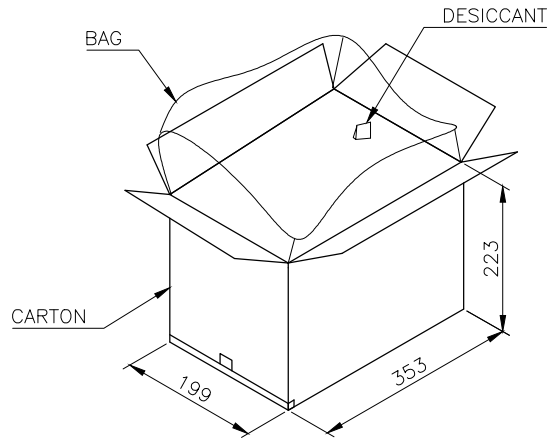
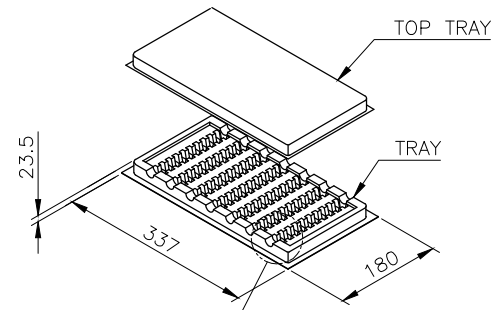


164	70.0	73.15	72.15	B17, B31, B48, B81
98	37.0	40.15	39.15	B17, B31, B48
64	20.0	23.15	22.15	B17, B31
36	6.0	9.15	8.15	B17
POS.	DIM. F	DIM. G	DIM. H	"K"

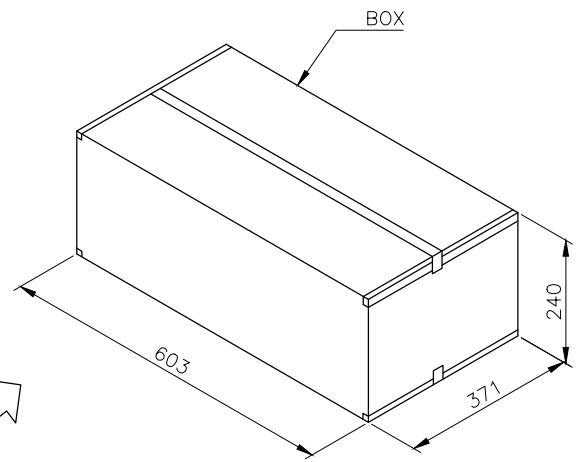
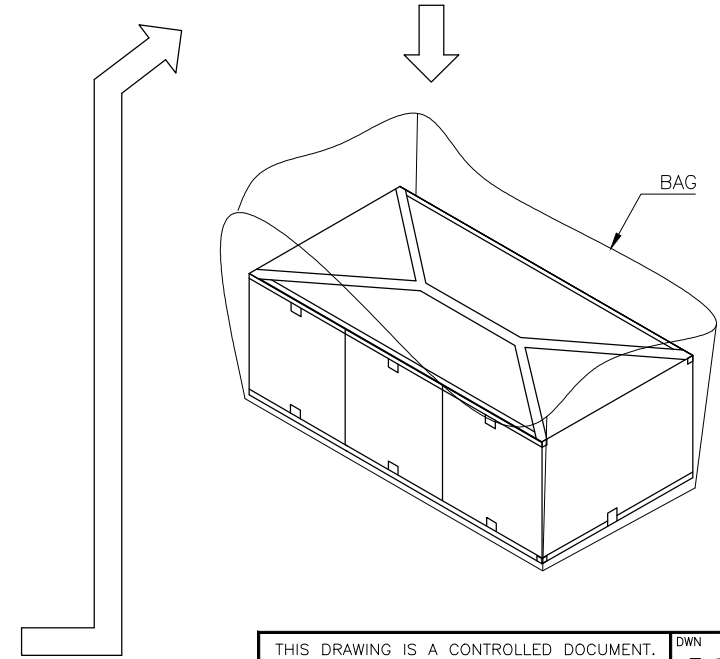
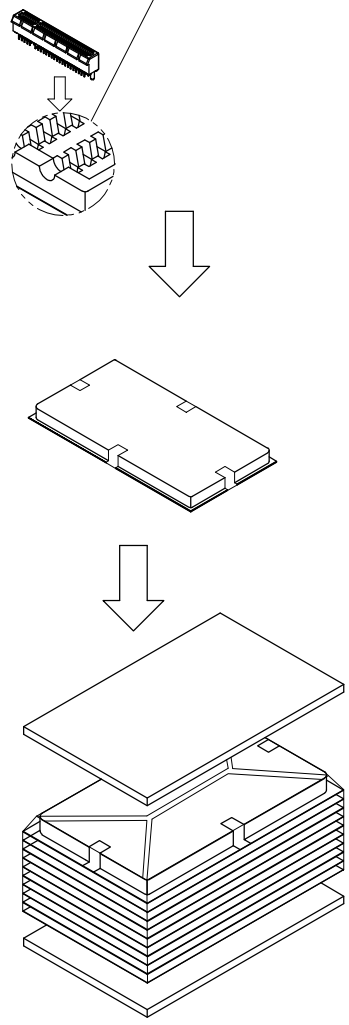
THIS DRAWING IS A CONTROLLED DOCUMENT.		DWN	TE Connectivity		
DIMENSIONS: MM		CHK	PCI EXPRESS CARD EDGE CONNECTOR VERTICAL, DIP TYPE, 3GIO		
TOLERANCES UNLESS OTHERWISE SPECIFIED:		APVD	NAME		
0 PLC ± -		PRODUCT SPEC	SIZE		
1 PLC ± -		APPLICATION SPEC	CAGE CODE	DRAWING NO	RESTRICTED TO
2 PLC ± -		WEIGHT	A300779	C=1734774	
3 PLC ± -		CUSTOMER DRAWING	SCALE		
4 PLC ± -			SHEET 4 of 5		
ANGLES ± -			REV F7		
FINISH					

THIS DRAWING IS UNPUBLISHED. RELEASED FOR PUBLICATION AUG ,2006.
 © COPYRIGHT BY TYCO ELECTRONICS CORPORATION. ALL RIGHTS RESERVED.

LOC	DIST	REVISIONS					
DW		P	LTR	DESCRIPTION	DATE	DWN	APVD
				SEE SHEET 1.			



- NOTES :
- MATERIAL :
 TRAY : PVC, COLOR: TRANSPARENT.
 CARTON: CORRUGATED FIBER
 BOX: CORRUGATED FIBER
 - DIMENSION :
 TRAY: SEE DRAWING
 CARTON: SEE DRAWING
 BOX : SEE DRAWING
 - QUANTITY : SEE TABLE
 - WEIGHT : SEE TABLE



10.2 Kg	8.2 Kg	30	10	3	900	164
9.0 Kg	7.0 Kg	40	10	3	1200	98
8.5 Kg	6.5 Kg	60	10	3	1800	64
7.6 Kg	5.6 Kg	70	10	3	2100	36
GROSS WEIGHT	NET WEIGHT	PCS/ TRAY	TRAY/ CARTON	CARTON/ BOX	PCS/ BOX	POS.

THIS DRAWING IS A CONTROLLED DOCUMENT.		DWN	TE Connectivity			
DIMENSIONS: MM		CHK	NAME			
TOLERANCES UNLESS OTHERWISE SPECIFIED: 0 PLC ± - 1 PLC ± - 2 PLC ± - 3 PLC ± - 4 PLC ± - ANGLES ± -		APVD	PCI EXPRESS CARD EDGE CONNECTOR VERTICAL, DIP TYPE, 3GIO			
MATERIAL		PRODUCT SPEC	SIZE	CAGE CODE	DRAWING NO	RESTRICTED TO
FINISH		APPLICATION SPEC	A3	00779	C=1734774	
		WEIGHT	CUSTOMER DRAWING		SCALE	SHEET 5 of 5 REV F7