

8136-651P2 ✓ ACTIVE

[Alcoswitch](#) | [Alcoswitch DIP](#), [Alcoswitch DIP JUMPER PLUG](#)

TE Internal #: 2-1437507-5

Alcoswitch DIP, DIP & SIP Switches, Accessory, Gold, Black Housing Color, Polyester, Operating Temperature Range -65 – 125 °C, DIP Switch

[View on TE.com >](#)



Relays, Contactors & Switches > Switches > DIP & SIP Switches



Product Type: **Accessory**

Contact Mating Area Plating Material: **Gold**

Housing Color: **Black**

Housing Material: **Polyester**

Auto-Insertable: **No**

Features

Product Type Features

Product Type	Accessory
Sealed	No
Switch Type	DIP Switch

Configuration Features

Configuration (Pole-Throw)	Single Pole - Single Throw
----------------------------	----------------------------

Electrical Characteristics

Voltage Rating	500 VDC
----------------	---------

Contact Features

Contact Mating Area Plating Material	Gold
Auto-Insertable	No
Contact Base Material	Phosphor Bronze

Mechanical Attachment

Mounting Type	Through Hole
---------------	--------------

Housing Features

Housing Color	Black
Housing Material	Polyester
Centerline	2.54 mm[.1 in]

Usage Conditions

Operating Temperature Range	-65 – 125 °C
-----------------------------	--------------

Other

Comment	2x10 ⁻⁹ Ω
---------	----------------------

Product Compliance

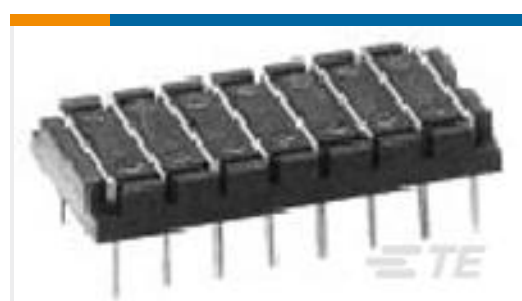
[For compliance documentation, visit the product page on TE.com>](#)

EU RoHS Directive 2011/65/EU	Compliant
EU ELV Directive 2000/53/EC	Compliant
China RoHS 2 Directive MIIT Order No 32, 2016	No Restricted Materials Above Threshold
EU REACH Regulation (EC) No. 1907/2006	Current ECHA Candidate List: JUN 2020 (209) Candidate List Declared Against: JUL 2019 (201) Does not contain REACH SVHC
Halogen Content	Low Halogen - Br, Cl, F, I < 900 ppm per homogenous material. Also BFR/CFR/PVC Free
Solder Process Capability	Wave solder capable to 265°C

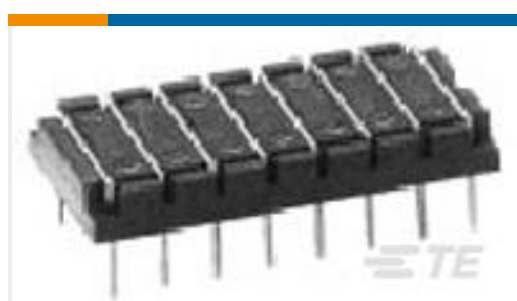
Product Compliance Disclaimer

This information is provided based on reasonable inquiry of our suppliers and represents our current actual knowledge based on the information they provided. This information is subject to change. The part numbers that TE has identified as EU RoHS compliant have a maximum concentration of 0.1% by weight in homogenous materials for lead, hexavalent chromium, mercury, PBB, PBDE, DBP, BBP, DEHP, DIBP, and 0.01% for cadmium, or qualify for an exemption to these limits as defined in the Annexes of Directive 2011/65/EU (RoHS2). Finished electrical and electronic equipment products will be CE marked as required by Directive 2011/65/EU. Components may not be CE marked. Additionally, the part numbers that TE has identified as EU ELV compliant have a maximum concentration of 0.1% by weight in homogenous materials for lead, hexavalent chromium, and mercury, and 0.01% for cadmium, or qualify for an exemption to these limits as defined in the Annexes of Directive 2000/53/EC (ELV). Regarding the REACH Regulation, the information TE provides on SVHC in articles for this part number is based on the latest European Chemicals Agency (ECHA) 'Guidance on requirements for substances in articles' posted at this URL: <https://echa.europa.eu/guidance-documents/guidance-on-reach>

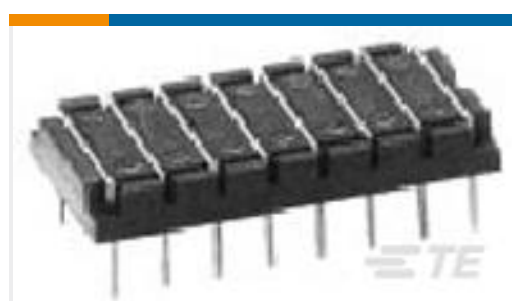
Compatible Parts



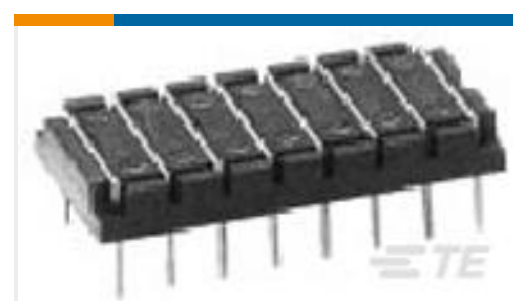
TE Model / Part # 2-1437507-1
8136-475G9=JUMPER PLUG ASSY



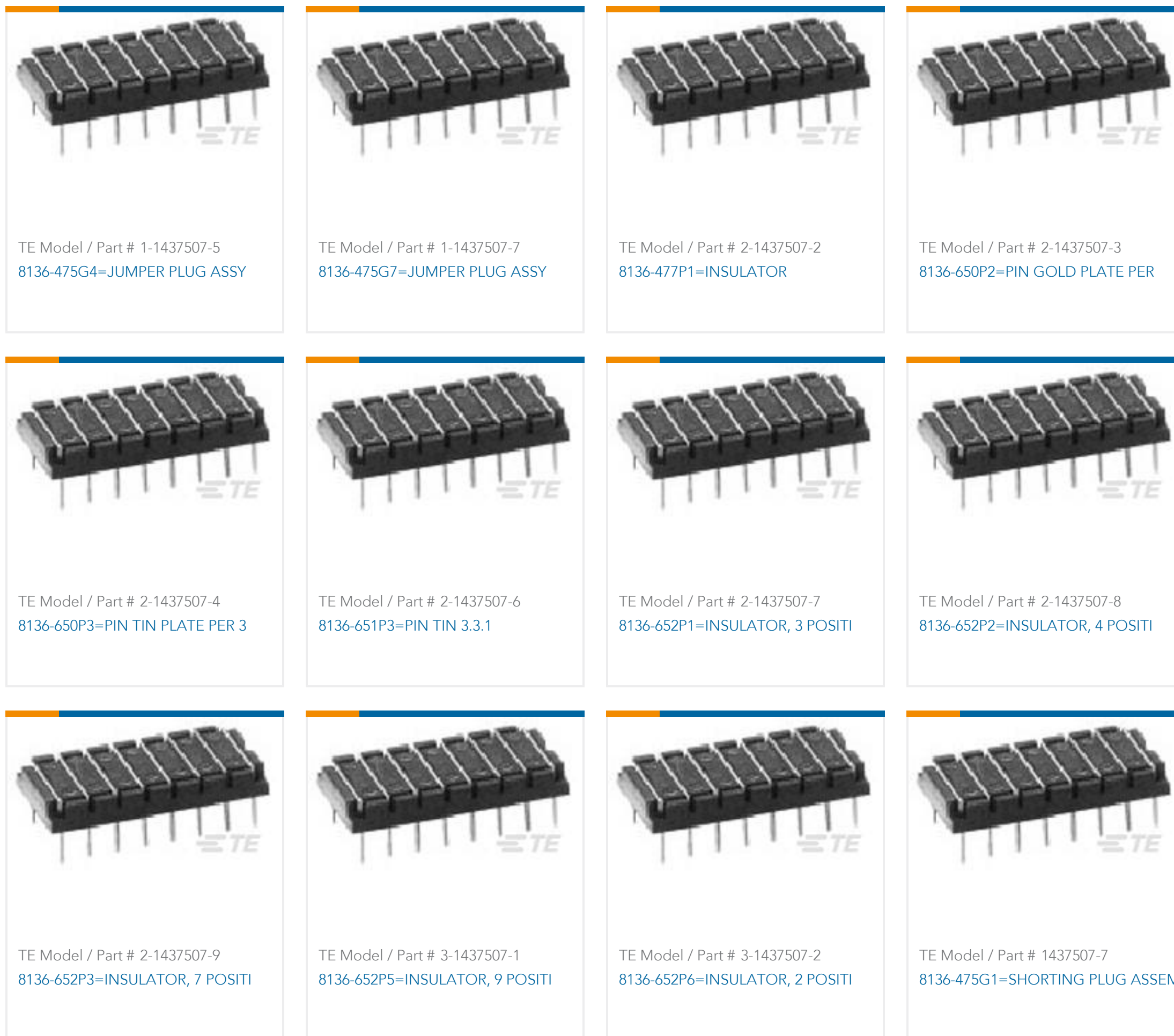
TE Model / Part # 1-1437507-9
8136-475G8=JUMPER PLUG ASSY



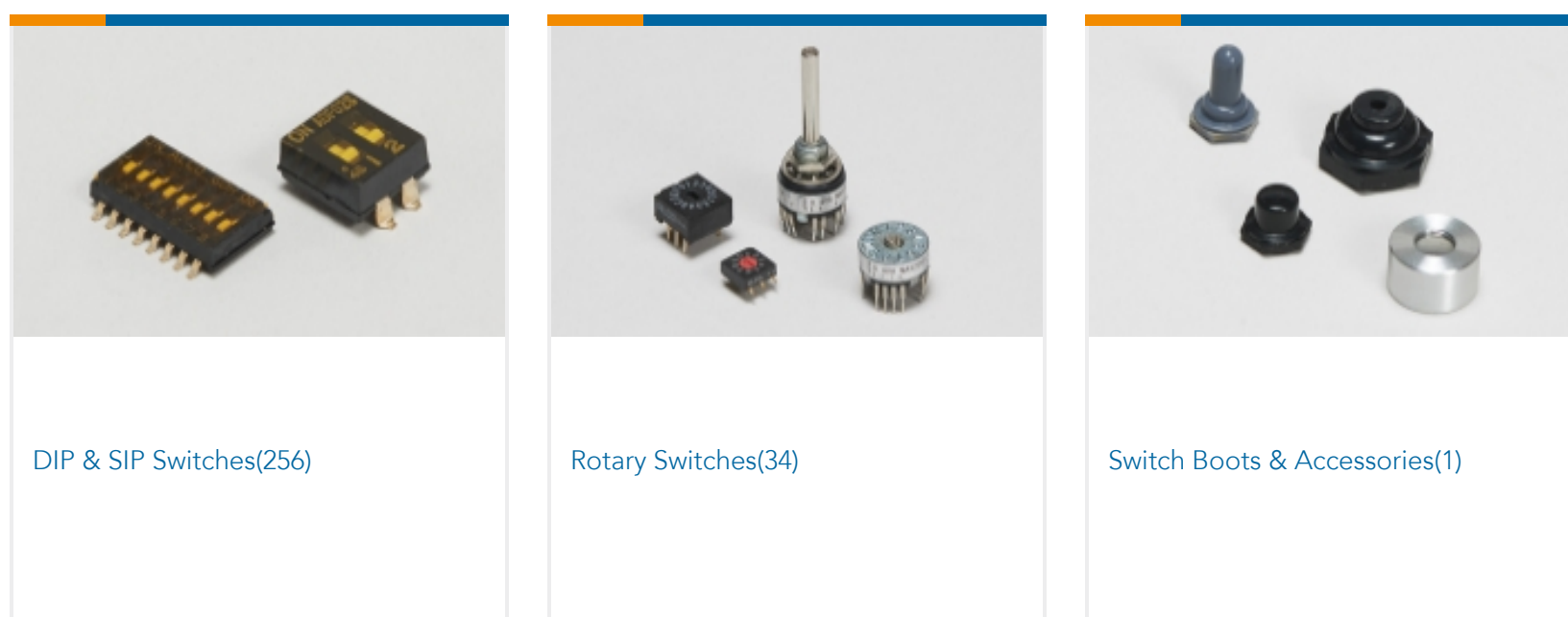
TE Model / Part # 3-1437507-0
8136-652P4=INSULATOR, 8 POSITI



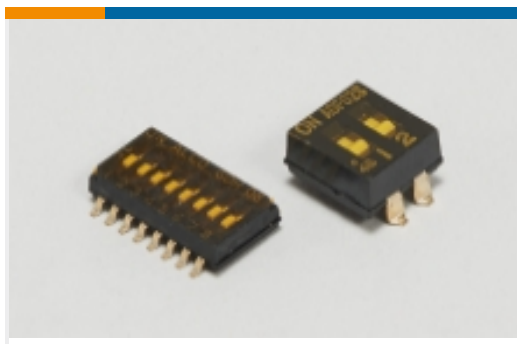
TE Model / Part # 1-1437507-0
8136-475G2=JUMPER PLUG ASSY



Also in the Series | **Alcoswitch DIP**

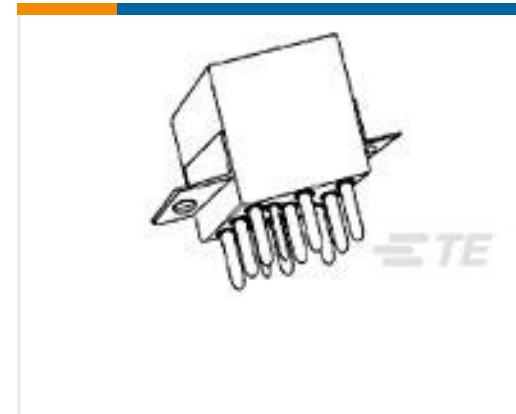
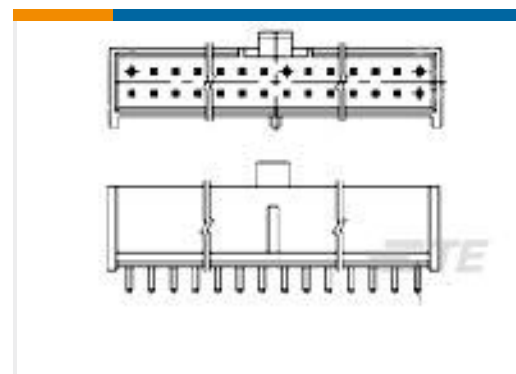
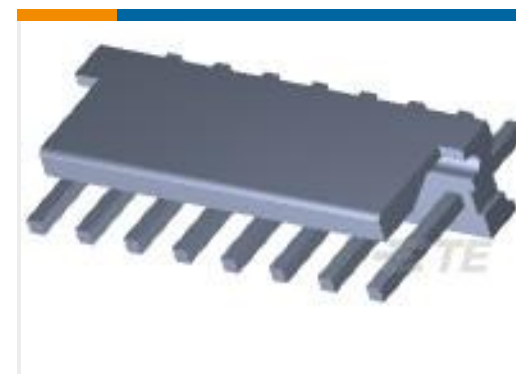
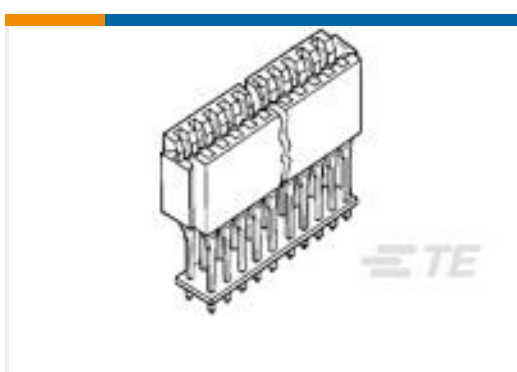


Also in the Series | **Alcoswitch DIP JUMPER PLUG**



DIP & SIP Switches(12)

Customers Also Bought

TE Model / Part #1410548-4
MULTIGIG GD PIN KEY/ESD NI PLT,
2.60TE Model / Part #1-640385-8
18P MTA156 HDR ASSY SQ R/ATE Model / Part #1-103328-3
26 MODII HDR DRST B/A .100CLTE Model / Part #4-1617753-5
FCA-325-BY2TE Model / Part #2226880-1
CONNECTOR KIT, RCPT,
BACKPLANE, MT,V66.4TE Model / Part #1-120533-1
1FHP,64,50A/P,N,C,S09,11,14TE Model / Part #1-1658549-6
FPH-2022T=FLXPAC HDR P 20 ST LFTE Model / Part #3-644766-8
08P MTA156 HDR ASSY STR SQ LFTE Model / Part #5-119790-8
AMP PACE CONN 22POS 156X200C/L

Documents

CAD Files

3D PDF

3D

Customer View Model

[ENG_CVM_CVM_2-1437507-5_99_c-2-1437507-5-99.2d_dxf.zip](#)

English

Customer View Model

[ENG_CVM_CVM_2-1437507-5_99_c-2-1437507-5-99.3d_igs.zip](#)



English

Customer View Model

[ENG_CVM_CVM_2-1437507-5_99_c-2-1437507-5-99.3d_stp.zip](#)

English

By downloading the CAD file I accept and agree to the [Terms and Conditions](#) of use.

Product Environmental Compliance

TE Material Declaration

English