

Features

- > Resistance welded type crystal units.
- > A great number of standard frequencies.
- > Higher frequency pullability and lower equivalent series resistance.
- > Lower cost and highly mass production capability.
- > The best choice of TV, STB, LCDM and Cable Modem.
- > RoHS Compliant / Pb Free

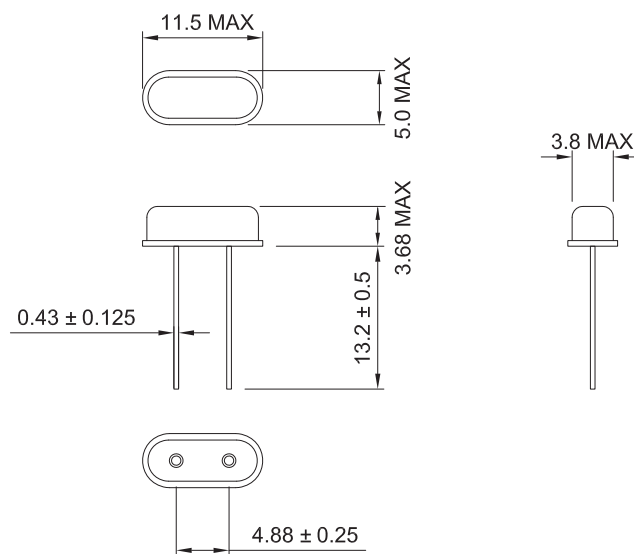
Electrical Specifications

| Item / Type | 9B |
|--|--------------------------------------|
| Frequency Range | 3.2 ~ 90 MHz |
| Frequency Tolerance (at 25 °C) | ± 30 ppm, or specify |
| Frequency Stability Over Operating Temperature Range | ± 30 ppm (- 20 ~ +70 °C), or specify |
| Operating Temperature Range | - 20 ~ +70 °C |
| Shunt Capacitance (C0) | 7 pF Max. |
| Drive Level | 1 ~ 500 μW (100 μW typical) |
| Load Capacitance | 18 pF, or specify |
| Aging (at 25 °C) | ± 3 ppm / year Max. |
| Storage Temperature Range | - 40 ~ + 85 °C |

Equivalent Series Resistance(ESR)

| Fundamental | | 3rd Overtone | |
|-----------------|------------|--------------|------------|
| 3.2 ~ 3.686 MHz | 200 Ω Max. | 27 ~ 30 MHz | 100 Ω Max. |
| 3.686 ~ 5 MHz | 150 Ω Max. | 30 ~ 50 MHz | 80 Ω Max. |
| 5 ~ 10 MHz | 80 Ω Max. | 50 ~ 90 MHz | 60 Ω Max. |
| 10 ~ 14 MHz | 40 Ω Max. | | |
| 14 ~ 30 MHz | 30 Ω Max. | | |

Dimensions



Units:mm

Remark : Specification subject to change without prior notice. Please confirm with our sales.