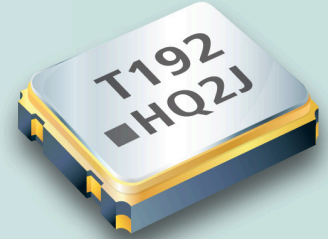


SMD RTC Crystal Oscillators 3.2 x 2.5 x 1.0 mm 7XZ Series

Features

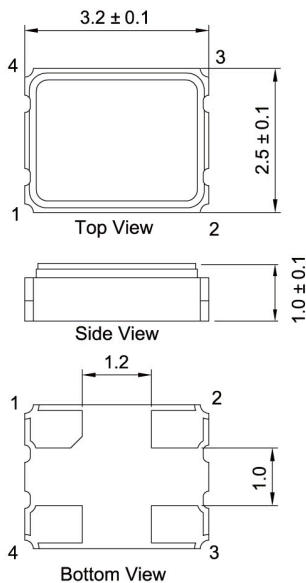
- Ultra small 32.768 kHz RTC oscillator in seam sealed ceramic package.
- 4 pads design to achieve good soldering contact on PCB.
- Use AT crystal as the resonator for good temperature performance.
- Tri-State function available for power saving.
- RoHS Compliant / Pb Free.



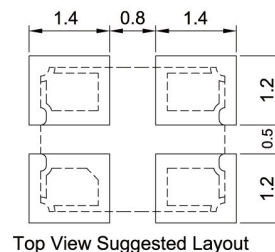
Electrical Specifications

Item / Type	7XZ
Normal Frequency	32.768 kHz
Oscillation Mode	AT Fundamental
Output Type	CMOS
Output Load	15 pF, or specify
Supply Voltage	2.8 V , 3.3 V
Frequency Stability	± 25 ppm , ± 50 ppm
Operating Temperature Range	- 10 ~ + 70 °C , - 40 ~ + 85 °C
Storage Temperature Range	- 55 ~ + 125 °C
Voltage Vol (Max.) / Voh (Min.)	0.1 VDD / 0.9 VDD
Rise (Tr) / Fall (Tf) Time	300 ns Max.
Current Consumption	3 mA Max.
Symmetry	45 ~ 55 %
Start-up Time	10 ms Max.
Tri-state Voltage Vol (Max.) / Voh (Min.)	0.3 VDD / 0.7 VDD
Aging (at 25 °C)	± 5 ppm at first year.

Dimensions



PAD FUNCTION:
 1: ENABLE CONTROL
 2: GND
 3: OUT
 4: VDD



Units: mm