

7 X 5 mm SMD CMOS CXO 7W SERIES



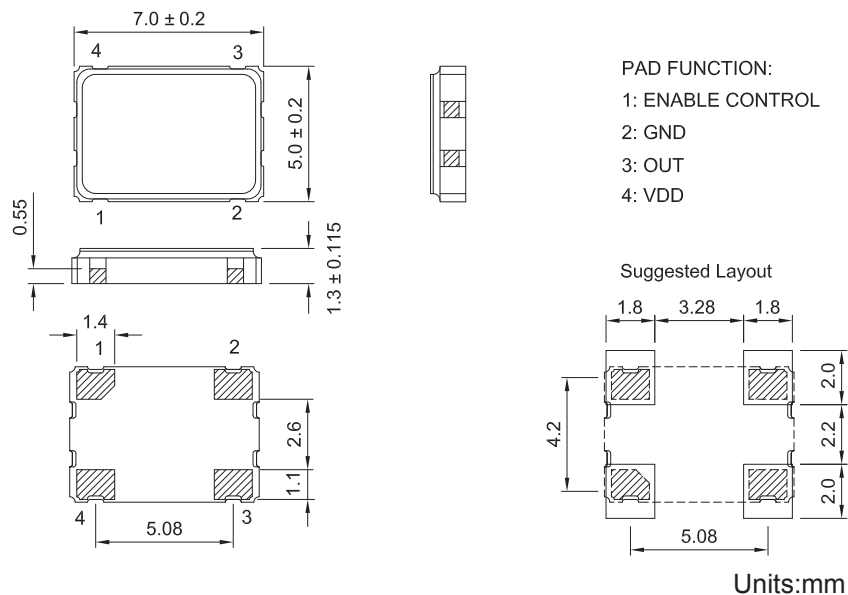
Features

- > Small SMD seam sealed clock crystal oscillator units.
- > High precision characteristic covering up to wide frequency range.
- > Designed for automatic mounting and reflow soldering.
- > Optionable stand-by function for output: Tri-state output.
- > Supply voltage range : 1.8 V ~ 5 V.
- > High stability, low jitter, low power consumption.
- > Main application : wireless communication, PC, and LCDM.
- > RoHS Compliant / Pb Free.

Electrical Specifications

| Item / Type | 7W | | |
|---------------------------------|--|-----------------------|---------------|
| Output Type | CMOS | | |
| Output Load | 15 pF | 15 pF , 30 pF | 15 pF , 50 pF |
| Oscillation Mode | Fundamental / 3rd Overtone | | |
| Supply Voltage | 1.8 V | 2.5 V , 2.8 V , 3.3 V | 5 V |
| Frequency Range | 1 ~ 170 MHz | | |
| Frequency Stability | ± 50 ppm (-10 ~ + 70 °C), or specify | | |
| Operating Temperature Range | - 40 ~ + 85 °C | | |
| Storage Temperature Range | - 55 ~ + 125 °C | | |
| Voltage Vol (Max.) / Voh (Min.) | 0.1 VDD / 0.9 VDD | | |
| Rise (Tr) / Fall (Tf) Time | 10 ns (1 ~ 10 MHz) , 7 ns (20 ~ 50 MHz) , 5 ns (> 50 MHz) Max. | | |
| Supply Current | 20 mA Max. | | |
| Symmetry | 40 ~ 60 % | | |
| Start-up Time | 10 ms Max. | | |
| Phase Jitter (12 KHz ~ 20 MHz) | 1 ps Max. | | |
| Aging (at 25 °C) | ± 3 ppm / year Max. | | |

Dimensions



Remark : Specification subject to change without prior notice. Please confirm with our sales.