

REV. Status

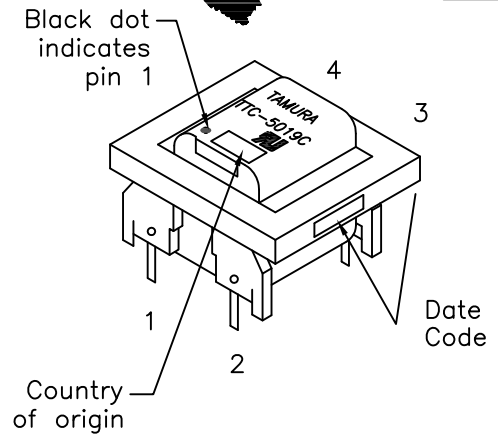
- REVISION – 11/08/01 MP
- REVISION A ADDED A.11–A.13. 03/20/02 MP
- REVISION B ADDED PAGE 2 RELIABILITY TEST 04/23/02 MP
- REVISION C ADDED BAPT & TUV TO MARKING 05/09/02 MP
- REVISION D DELETED BAPT 05/07/05 MP
- REVISION E ADDED RoHS TUV REMOVED UPDATED SAFETY 04/13/10 MP
- REVISION F REMOVED OPERATING, STORAGE TEMP, FCC & PAGE 2. 05/18/10 MP

TELECOMMUNICATION MODEM COUPLING TRANSFORMER FOR DC Bias ('WET') APPLICATION

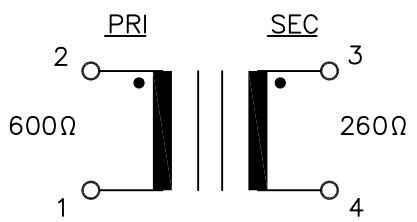
- A. Electrical Specifications (@ 25°C)
1. Pri Source Impedance; 600Ω
 2. Sec Load Impedance; 260Ω
 3. Insertion Loss; 4.0dB MAX @ 1KHz, 0dBm, DC 50mA
 4. Frequency Response (relative to 1KHz) ±2.5dB @ 200Hz to 4KHz, 0dBm, DC 50mA
 5. Longitudinal Balance; 60dB MIN @ 60Hz to 1KHz
40dB MIN @ 1KHz to 4KHz
 6. Return Loss; 8dB MIN @ 200Hz to 4KHz, 0dBm
 7. DC Resistance; (1–2)= 170Ω ±10%
(3–4)= 170Ω ±10%
 8. Turns Ratio; (1–2):(4–3) = 1:1.00±2%
 9. Dielectric Strength; 1875Vrms 1 second @ Pri to Sec
 10. Total Harmonic Distortion; –60dB TYP @ 600Hz, –10dBm



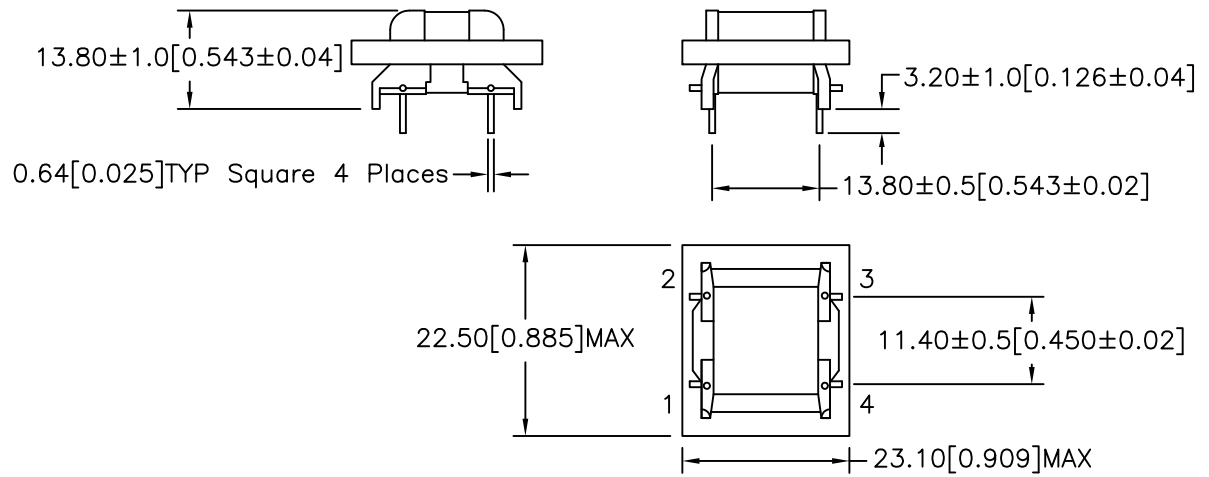
MODEL NUMBER
TTC-5019



- B. Soldering temperature; 260 C MAX for 10 sec MAX
- C. Reliability Test; Refer to page 2
- D. Marking; TTC-5019C, TAMURA, date code and country of origin "C" designates UL approved family classification.
- E. Safety; UL1950 3rd Edition, UL FILE E208555, CSA C22.2 No.950-95.
- F. Schematic Diagram;



G. Mechanical Specifications;



PREPARED BY:
C. POPPE

ENGINEER:
M. PITCHAI

SAFETY ENGINEER
B. OCONNELL

APPROVED:
P. BRUNE

DRAWING CONTROL NO. P-A1-12503	REV F	MODEL DESCRIPTION MODEM COUPLING TRANSFORMER	MODEL SPECIFICATION TTC-5019	
CONTENTS OF THIS DRAWING ARE SUBJECT TO CHANGE WITHOUT PRIOR NOTICE		TAMURA CORPORATION OF AMERICA 1040 SOUTH ANDREASEN DRIVE, #100 ESCONDIDO, CA. 92029 (951) 699-1270 FAX 7607400536		
		DIM: mm [In] SCL: 1/1 SH: 1 OF 1		
<p>PROPRIETARY NOTICE: THIS DRAWING PRINT OR DOCUMENT AND SUBJECT MATTER DISCLOSED HEREIN ARE PROPRIETARY ITEMS TO WHICH TAMURA RETAINS THE EXCLUSIVE RIGHT OF DISSEMINATION, REPRODUCTION, MANUFACTURE AND SALE. THIS DRAWING, PRINT OR DOCUMENT IS SUBMITTED IN CONFIDENCE FOR CONSIDERATION BY THE RECIPIENT ALONE UNLESS PERMISSION FOR FURTHER DISCLOSURE IS EXPRESSLY GRANTED IN WRITING.</p>				