

REVISION -
01/08/92 YN

REVISION A
TEMECULA
WAS CARSON
REFORMATTED
05/24/95 TS

REVISION B
NEW FORMAT
06/09/97 TS

UL AND CSA HYBRID 600 Ω :600 Ω OADC TRANSFORMER

A. Electrical Specifications (@ 25 ° C)

1. Pri Source Impedance; 600 Ω
2. Sec Load Impedance; 600 Ω /600 Ω
3. Operating Level; -45 dBm to +7 dBm
4. Insertion Loss; 1.2 dB MAX @ 1 KHz, 0 dBm
5. Frequency Response (relative to 1 KHz); ±0.5 dB @ 300 Hz to 3.5 KHz, 0 dBm
6. Pri Impedance; 600 Ω ±10% @ 300 Hz to 3.5 KHz, 0 dBm
7. Pri Return Loss; 26 dB MIN @ (ERL measurement)
8. Longitudinal Balance; 60 dB MIN @ 200 Hz to 4 KHz
9. Total Harmonic Distortion; 0.5% MAX @ 300 Hz to 3.5 KHz, 0 dBm
10. DC Resistance;
 - (1-6) = 47 Ω ±20%
 - (3-4) = 35 Ω ±20%
 - (2-5) = 35 Ω ±20%
11. Turns Ratio;
 - (1-6) : (3-4) = 1 : 0.741 ±2%
 - (1-6) : (2-5) = 1 : 0.741 ±2%
12. Dielectric Strength;
 - 1500 Vrms, 1 minute @ Pri to Sec, Pri to Core
 - 1000 Vrms, 1 minute @ Sec to Core
 - 150 Vrms, 1 minute @ Sec to Sec

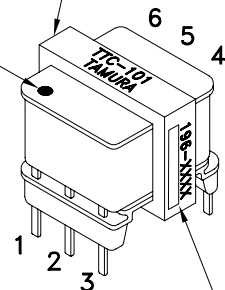
SAFETY APPROVAL LOGOS



MODEL NUMBER

TTC-101

Red Dot PIN 1



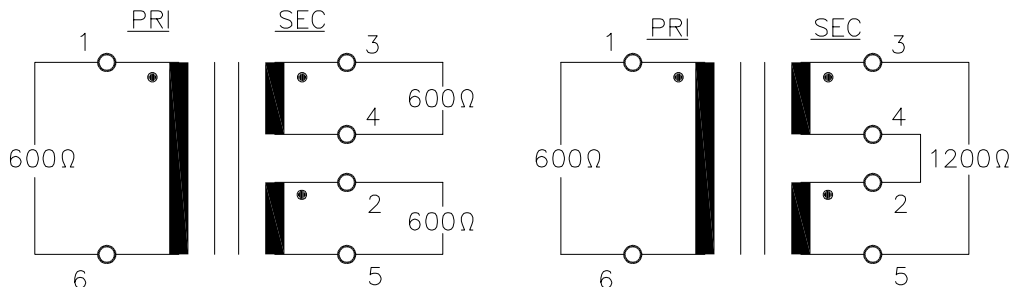
B. Marking; TTC-101, TAMURA, date code and country of origin

C. Safety: CSA C22.2 No. 66-M1988 File No. LR81383

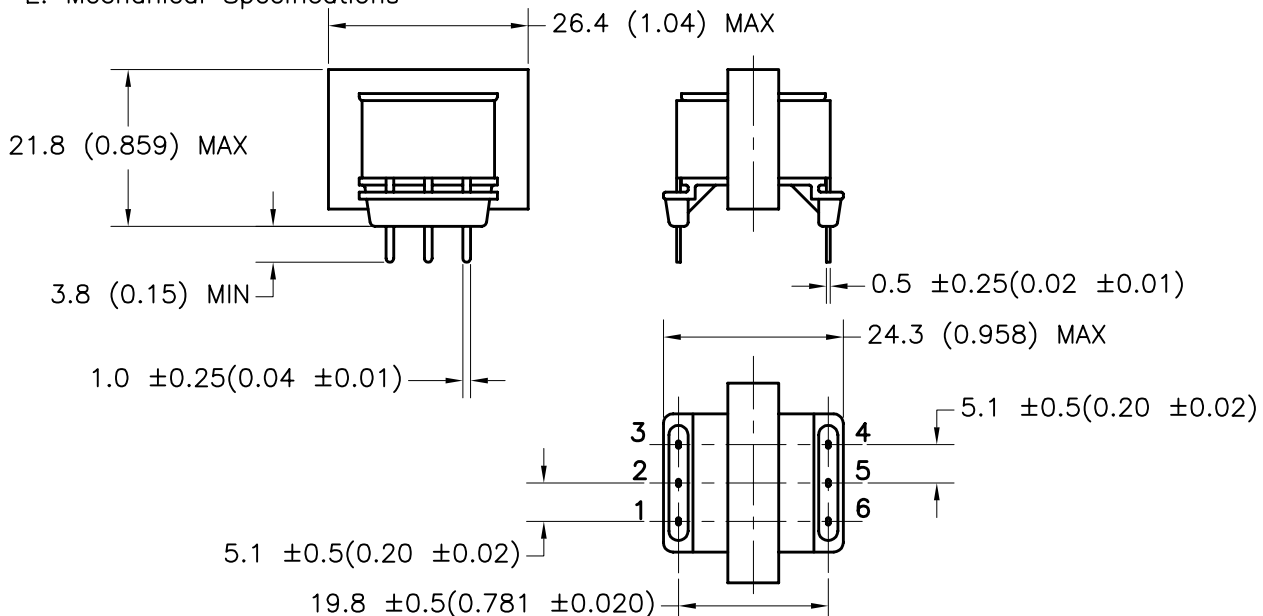
UL 1863 File No. E142035

Date code and country of origin

D. Schematic Diagram



E. Mechanical Specifications



PREPARED BY:

K. BRENNAN

ENGINEER:

T. SHIOZAWA

QUALITY CONTROL:

D. KELLEY

APPROVED:

D. SUZUKI

DRAWING CONTROL NO. P-A1-10342
ACAD\TTC\A1103421.DWG

REV B

MODEL DESCRIPTION TELECOMMUNICATION COUPLING TRANSFORMER

MODEL SPECIFICATION TTC-101

CONTENTS OF THIS DRAWING ARE SUBJECT TO CHANGE WITHOUT PRIOR NOTICE

TAMURA CORPORATION OF AMERICA
43352 BUSINESS PARK DRIVE, TEMECULA, CA. 92590-6624
(909) 699-1270 FAX 9096769482

DIM: mm(in) SCL: 1/1 SH: 1 OF 1

PROPRIETARY NOTICE: THIS DRAWING PRINT OR DOCUMENT AND SUBJECT MATTER DISCLOSED HEREIN ARE PROPRIETARY ITEMS TO WHICH TAMURA RETAINS THE EXCLUSIVE RIGHT OF DISSEMINATION, REPRODUCTION, MANUFACTURE AND SALE. THIS DRAWING, PRINT OR DOCUMENT IS SUBMITTED IN CONFIDENCE FOR CONSIDERATION BY THE RECIPIENT ALONE UNLESS PERMISSION FOR FURTHER DISCLOSURE IS EXPRESSLY GRANTED IN WRITING.