



THREE FLANGE DUAL SECONDARY 3.0VA PC BOARD SMALL POWER TRANSFORMER

MODEL NUMBER
SB3516-30XX

REV. Status
REVISION - 09/14/05 MP
REVISION A REFORMATTED & UPDATED SAFETY 04/30/07 YS
REVISION B UPDATED SAFETY 05/22/08 MP
REVISION C UPDATED SAFETY 11/6/08 MP
REVISION D UPDATED CLASS 2 & 3 INFO 3-19-09 MP
REVISION E UPDATED SAFETY 5-28-09 MP
REVISION F UPDATED SCHEMATIC 8-25-09 MP

A. Electrical Specifications (@ 25°C)

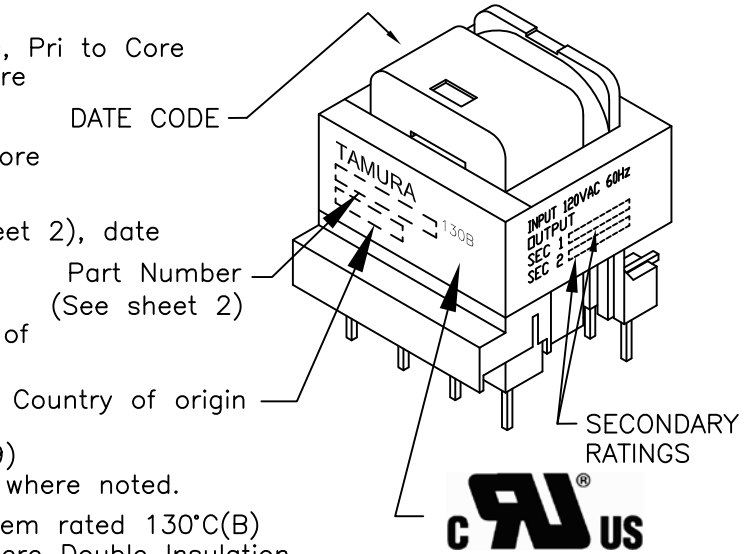
1. Maximum Power: 3.0VA
2. Primary Voltage and Frequency: 120VAC, 60Hz
3. Secondary RMS Rating: See Table A (on sheet 2)
4. Voltage Regulation: 25% MAX @ full load to no load
5. Temperature Rise: 35°C MAX @ $V_{in} = 120VAC, 60Hz$ and rated load condition (measured by resistance method).
6. Insulation Resistance:
100MΩ MIN @ 500VDC, Pri to Sec, Pri to Core
100MΩ MIN @ 500VDC, Sec to Core
7. Dielectric Withstand:
3000Vrms @ Pri to Sec, Pri to Core
500Vrms @ Sec to Core



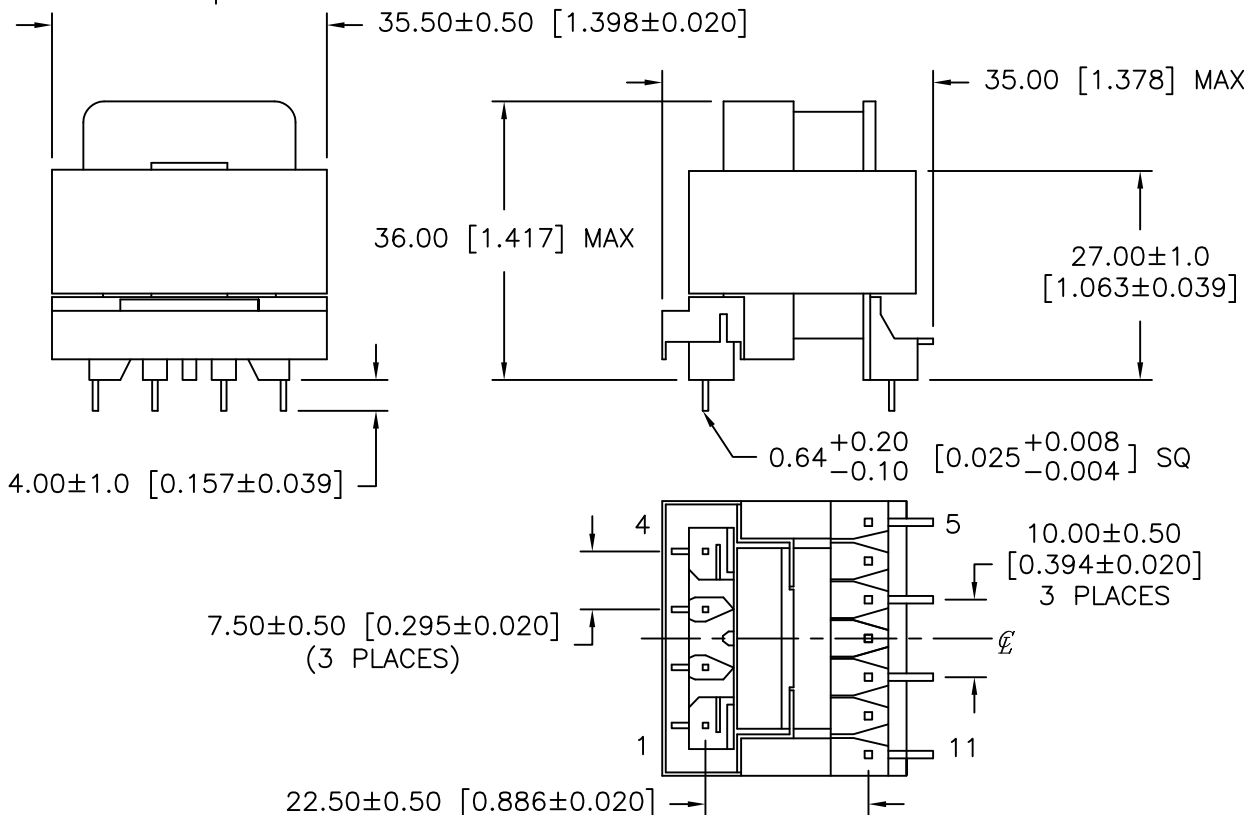
B. Marking: TAMURA, part number (see sheet 2), date code and country of origin

C. Safety:

Conforms to construction requirements of
 UL60950-1
 UL60335-1
 UL60065
 UL5085-3/CSA No66.3 (UL File E64149)
 Class 2 or 3 output, Inherently limited where noted.
 UL-Recognized Electrical Insulation System rated 130°C(B)
 for use as Reinforced Insulation, or Where Double Insulation
 is required in accordance with UL1097.



D. Mechanical Specifications:



PREPARED BY:

E. BRINER

ENGINEER:
 MATHI PITCHAI
 SAFETY ENGINEER

DWG CONTROL NO.
 P-A1-13116
 ACAD\MXFMR\A1131161.DWG

REV
 F

3.0VA PCB
 SMALL POWER TRANSFORMER

SB3516-30XX

MODEL SPECIFICATION

B.O.
 APPROVED:
 TB

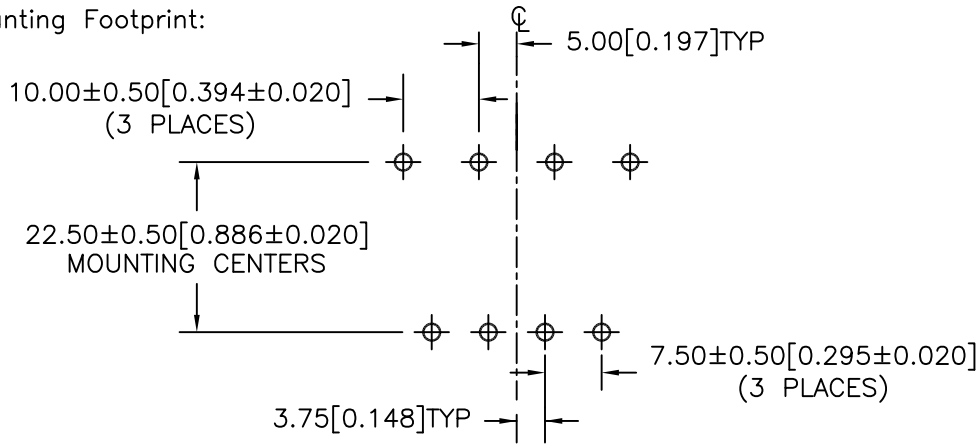
CONTENTS OF THIS DRAWING ARE SUBJECT TO CHANGE WITHOUT PRIOR NOTICE

TAMURA CORPORATION OF AMERICA
 43352 BUSINESS PARK DRIVE, TEMECULA, CA. 92590-6624
 (951) 699-1270 FAX 9516769482

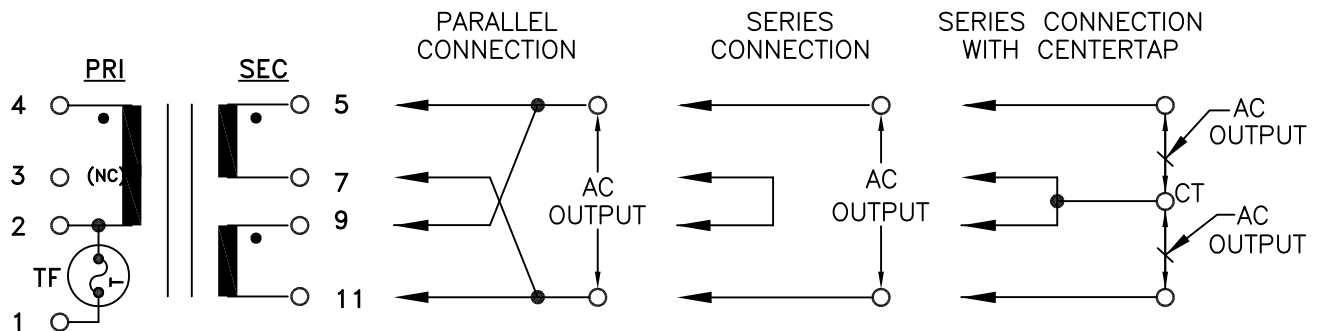
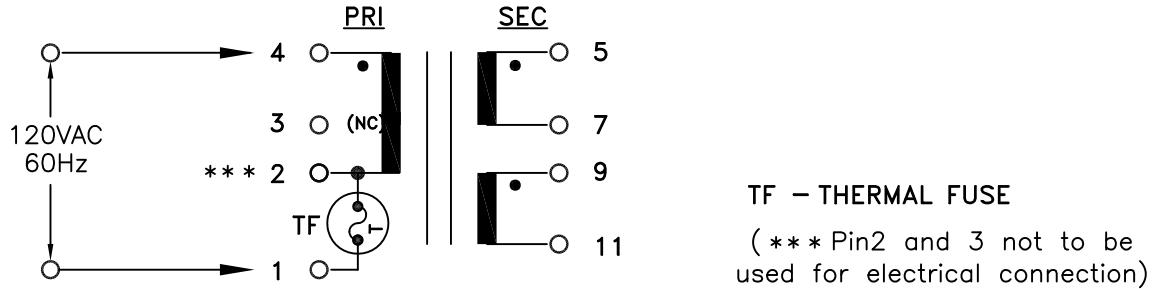
DIM: mm[In] SCL: 1/1 SH: 1 OF 2

PROPRIETARY NOTICE: THIS DRAWING PRINT OR DOCUMENT AND SUBJECT MATTER DISCLOSED HEREIN ARE PROPRIETARY ITEMS TO WHICH TAMURA RETAINS THE EXCLUSIVE RIGHT OF DISSEMINATION, REPRODUCTION, MANUFACTURE AND SALE. THIS DRAWING, PRINT OR DOCUMENT IS SUBMITTED IN CONFIDENCE FOR CONSIDERATION BY THE RECIPIENT ALONE UNLESS PERMISSION FOR FURTHER DISCLOSURE IS EXPRESSLY GRANTED IN WRITING.

E. Mounting Footprint:



F. Schematic Diagram:



(* Non-Inherently limited, each secondary shall be fused using a JDXY listed fuse, rated $\leq 2A$)

G. Table A:

(** Series Output is Class 3, Parallel Output is Class 2)

PART NO.	PARALLEL CONNECTION		SERIES CONNECTION		SERIES CONNECTION WITH CT		OUTPUT
	AC VOLTS	RMS mAmps	AC VOLTS	RMS mAmps	AC VOLTS	RMS mAmps	
SB3516 - 3004*	2.0	1500	4.0	750	2.0 - CT - 2.0	750	2X2.0V
SB3516-3006	3.0	1000	6.0	500	3.0-CT-3.0	500	2X3.0V
SB3516-3010	5.0	600	10.0	300	5.0-CT-5.0	300	2X5.0V
SB3516-3014	7.0	430	14.0	215	7.0-CT-7.0	215	2X7.0V
SB3516-3016	8.0	380	16.0	190	8.0-CT-8.0	190	2X8.0V
SB3516-3018	9.0	330	18.0	165	9.0-CT-9.0	165	2X9.0V
SB3516-3022	11.0	270	22.0	135	11.0-CT-11.0	135	2X11.0V
SB3516-3024	12.0	250	24.0	125	12.0-CT-12.0	125	2X12.0V
SB3516-3026**	13.0	230	26.0	115	13.0-CT-13.0	115	2X13.0V
SB3516-3030**	15.0	200	30.0	100	15.0-CT-15.0	100	2X15.0V

PREPARED BY:

E. BRINER

ENGINEER:

MATHI PITCHAI

SAFETY ENGINEER

B.O.

APPROVED:

T.B.

DWG CONTROL NO. P-A1-13116
ACAD\MXFMR\A1131161.DWG

REV F
3.0VA PCB
SMALL POWER TRANSFORMER

SB3516-30XX

CONTENTS OF THIS DRAWING ARE SUBJECT TO CHANGE WITHOUT PRIOR NOTICE

TAMURA CORPORATION OF AMERICA
43352 BUSINESS PARK DRIVE, TEMECULA, CA. 92590-6624
(951) 699-1270 FAX 9516769482

MODEL SPECIFICATION
DIM: mm [In] SCL: 1/1 SH: 2 OF 2

PROPRIETARY NOTICE: THIS DRAWING PRINT OR DOCUMENT AND SUBJECT MATTER DISCLOSED HEREIN ARE PROPRIETARY ITEMS TO WHICH TAMURA RETAINS THE EXCLUSIVE RIGHT OF DISSEMINATION, REPRODUCTION, MANUFACTURE AND SALE. THIS DRAWING, PRINT OR DOCUMENT IS SUBMITTED IN CONFIDENCE FOR CONSIDERATION BY THE RECIPIENT ALONE UNLESS PERMISSION FOR FURTHER DISCLOSURE IS EXPRESSLY GRANTED IN WRITING.