

REV. Status

REVISION -
09/14/05 MP

REVISION A
REFORMATTED &
UPDATED SAFETY
04/30/07 YS

REVISION B
UPDATED SAFETY
05/22/08 MP

REVISION C
UPDATED SAFETY
11/6/08 MP

REVISION D
UPDATED CLASS
2 & 3 INFO
3-19-09

REVISION E
UPDATED SAFETY
5-28-09

REVISION F
UPDATED
SCHEMATIC
8-17-09 MP

A. Electrical Specifications (@ 25°C)

1. Maximum Power: 2.0VA
2. Primary Voltage and Frequency: 120VAC, 60Hz
3. Secondary RMS Rating: See Table A (on sheet 2)
4. Voltage Regulation: 30% MAX @ full load to no load
5. Temperature Rise: 30°C MAX @ Vin = 120VAC, 60Hz and rated load condition (measured by resistance method).
6. Insulation Resistance:
100MΩ MIN @ 500VDC, Pri to Sec, Pri to Core
100MΩ MIN @ 500VDC, Sec to Core
7. Dielectric Withstand:
3000Vrms @ Pri to Sec, Pri to Core
500Vrms @ Sec to Core



B. Marking: TAMURA, part number (see sheet 2), date code and country of origin

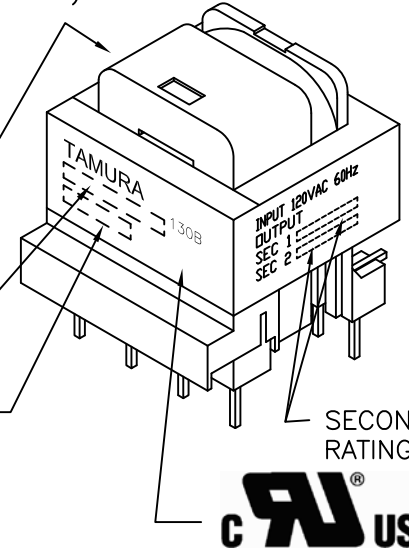
C. Safety:

Conforms to construction requirements of
UL60950-1
UL60335-1
UL60065
UL5085-3/CSA No66.3 (UL FILE E64149)
Class 2 or 3 output, Inherently limited.
UL-Recognized Electrical Insulation System rated 130°C(B)
for use as Reinforced Insulation, or Where Double Insulation
is required in accordance with UL1097.

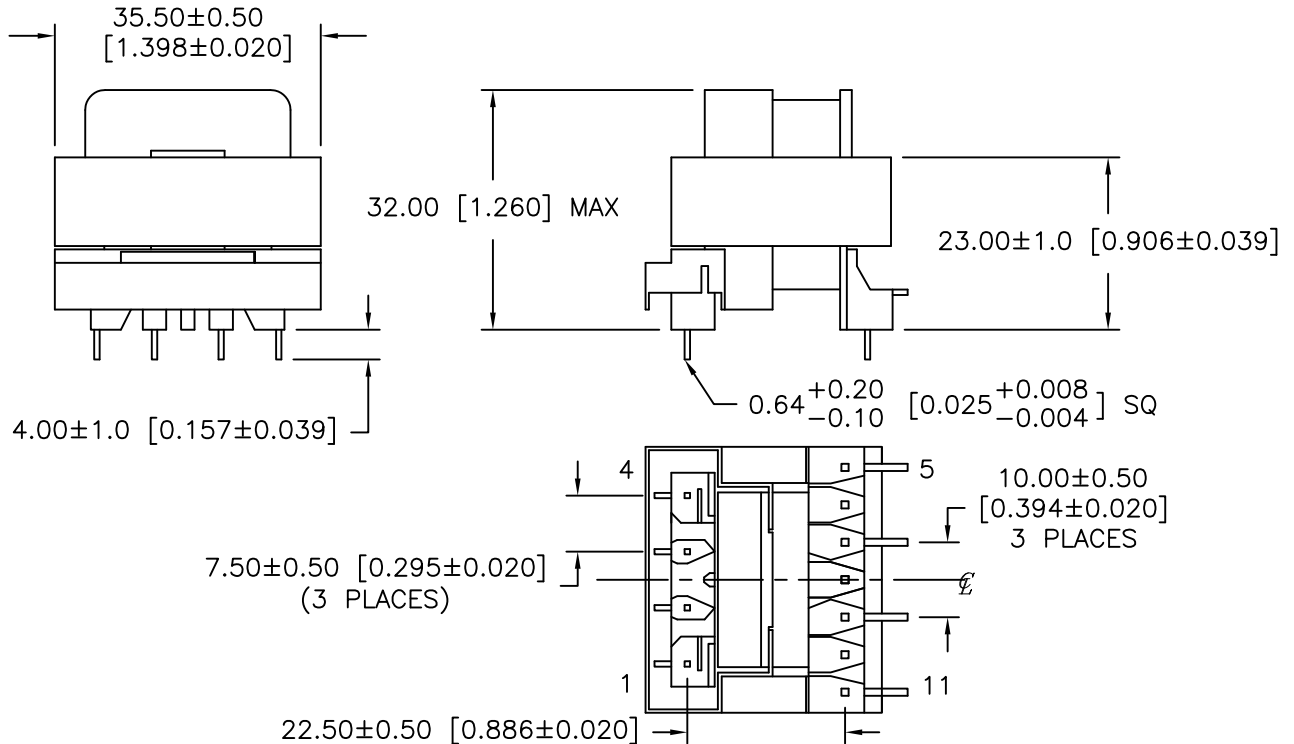
DATE CODE

Part Number
(See sheet 2)

Country of origin



D. Mechanical Specifications:



PREPARED BY:

E. BRINER

ENGINEER:
MATHI PITCHAI
SAFETY ENGINEER

DWG CONTROL NO.
P-A1-13117
ACAD\MXFMR\A1131171.DWG

REV
F

2.0VA PCB
SMALL POWER TRANSFORMER

SB3512-20XX

APPROVED:
T.B.

CONTENTS OF THIS DRAWING ARE
SUBJECT TO CHANGE WITHOUT
PRIOR NOTICE

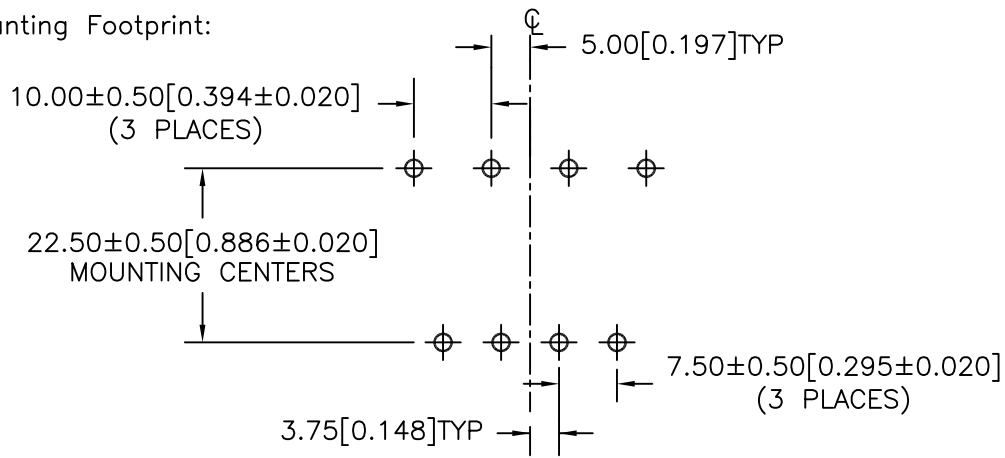
TAMURA CORPORATION OF AMERICA
43352 BUSINESS PARK DRIVE, TEMECULA, CA. 92590-6624
(951) 699-1270 FAX 9516769482

MODEL SPECIFICATION

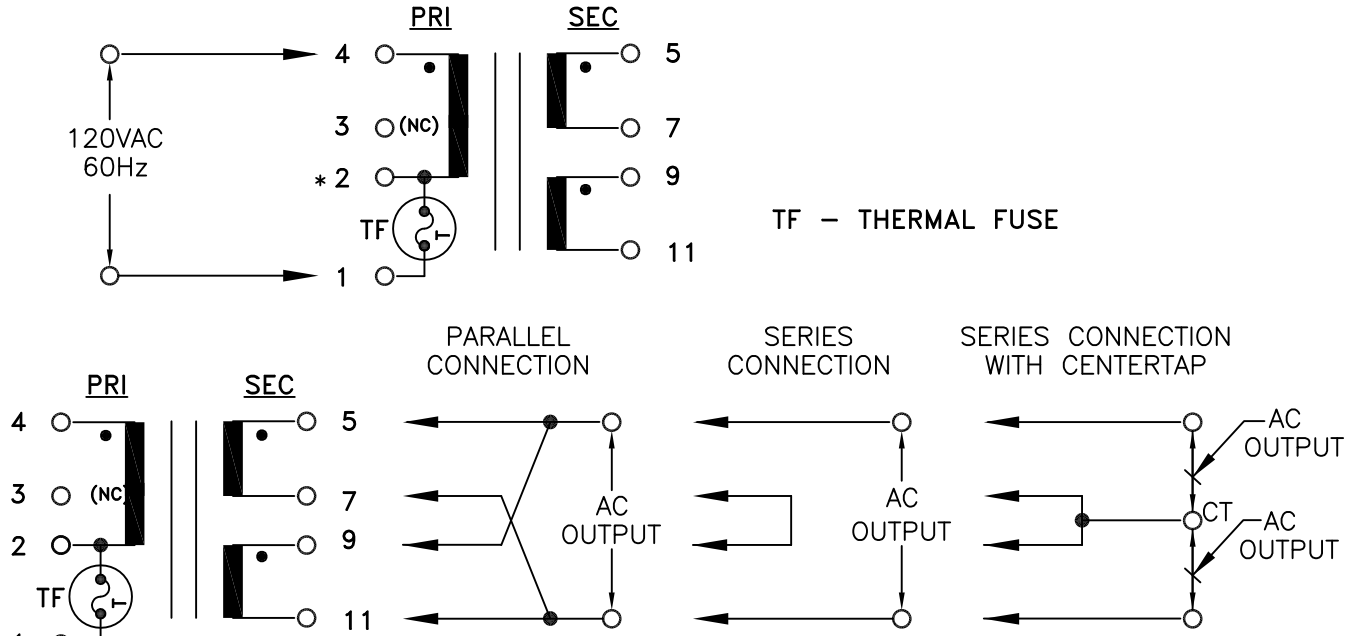
DIM: mm[In] SCL: 1/1 SH: 1 OF 2

PROPRIETARY NOTICE: THIS DRAWING PRINT OR DOCUMENT AND SUBJECT MATTER DISCLOSED HEREIN ARE PROPRIETARY ITEMS TO WHICH TAMURA RETAINS THE EXCLUSIVE RIGHT OF DISSEMINATION, REPRODUCTION, MANUFACTURE AND SALE. THIS DRAWING, PRINT OR DOCUMENT IS SUBMITTED IN CONFIDENCE FOR CONSIDERATION BY THE RECIPIENT ALONE UNLESS PERMISSION FOR FURTHER DISCLOSURE IS EXPRESSLY GRANTED IN WRITING.

E. Mounting Footprint:



F. Schematic Diagram:



(* Pins 2 and 3 not to be used for electrical connection.)

G. Table A:

(** Series output is Class 3, Parallel Output is Class 2.)

PART NO.	PARALLEL CONNECTION		SERIES CONNECTION		SERIES CONNECTION WITH CT		OUTPUT
	AC VOLTS	RMS mAMPS	AC VOLTS	RMS mAMPS	AC VOLTS	RMS mAMPS	
SB3512-2004	2.0	1000	4.0	500	2.0-CT-2.0	500	2X2.0V
SB3512-2006	3.0	670	6.0	335	3.0-CT-3.0	335	2X3.0V
SB3512-2010	5.0	400	10.0	200	5.0-CT-5.0	200	2X5.0V
SB3512-2014	7.0	290	14.0	145	7.0-CT-7.0	145	2X7.0V
SB3512-2016	8.0	250	16.0	125	8.0-CT-8.0	125	2X8.0V
SB3512-2018	9.0	220	18.0	110	9.0-CT-9.0	110	2X9.0V
SB3512-2022	11.0	180	22.0	90	11.0-CT-11.0	90	2X11.0V
SB3512-2024	12.0	170	24.0	85	12.0-CT-12.0	85	2X12.0V
SB3512-2026**	13.0	150	26.0	75	13.0-CT-13.0	75	2X13.0V
SB3512-2030**	15.0	130	30.0	65	15.0-CT-15.0	65	2X15.0V

PREPARED BY:

E. BRINER

ENGINEER:
MATHI PITCHAI
SAFETY ENGINEER

DWG CONTROL NO.
P-A1-13117
ACAD\MXFMR\A1131171.DWG

REV
F

2.0VA PCB
SMALL POWER TRANSFORMER

SB3512-20XX
MODEL SPECIFICATION

B.O.

CONTENTS OF THIS DRAWING ARE SUBJECT TO CHANGE WITHOUT PRIOR NOTICE

TAMURA CORPORATION OF AMERICA
43352 BUSINESS PARK DRIVE, TEMECULA, CA. 92590-6624
(951) 699-1270 FAX 9516769482

DIM: mm[In] SCL: 1/1 SH: 2 OF 2

APPROVED:
T.B.

PROPRIETARY NOTICE: THIS DRAWING PRINT OR DOCUMENT AND SUBJECT MATTER DISCLOSED HEREIN ARE PROPRIETARY ITEMS TO WHICH TAMURA RETAINS THE EXCLUSIVE RIGHT OF DISSEMINATION, REPRODUCTION, MANUFACTURE AND SALE. THIS DRAWING, PRINT OR DOCUMENT IS SUBMITTED IN CONFIDENCE FOR CONSIDERATION BY THE RECIPIENT ALONE UNLESS PERMISSION FOR FURTHER DISCLOSURE IS EXPRESSLY GRANTED IN WRITING.