



THREE FLANGE DUAL SECONDARY 2.0VA PC BOARD SMALL POWER TRANSFORMER

MODEL NUMBER  
**SB3512-20XX**

REV. Status

REVISION -  
09/14/05 MP

REVISION A  
REFORMATTED &  
UPDATED SAFETY  
04/30/07 YS

REVISION B  
UPDATED SAFETY  
05/22/08 MP

REVISION C  
UPDATED SAFETY  
11/6/08 MP

REVISION D  
UPDATED CLASS  
2 & 3 INFO  
3-19-09

REVISION E  
UPDATED SAFETY  
5-28-09

REVISION F  
UPDATED  
SCHEMATIC  
8-17-09 MP

A. Electrical Specifications (@ 25°C)

1. Maximum Power: 2.0VA
2. Primary Voltage and Frequency: 120VAC, 60Hz
3. Secondary RMS Rating: See Table A (on sheet 2)
4. Voltage Regulation: 30% MAX @ full load to no load
5. Temperature Rise: 30°C MAX @ Vin = 120VAC, 60Hz and rated load condition (measured by resistance method).
6. Insulation Resistance:  
100MΩ MIN @ 500VDC, Pri to Sec, Pri to Core  
100MΩ MIN @ 500VDC, Sec to Core
7. Dielectric Withstand:  
3000Vrms @ Pri to Sec, Pri to Core  
500Vrms @ Sec to Core



B. Marking: TAMURA, part number (see sheet 2), date code and country of origin

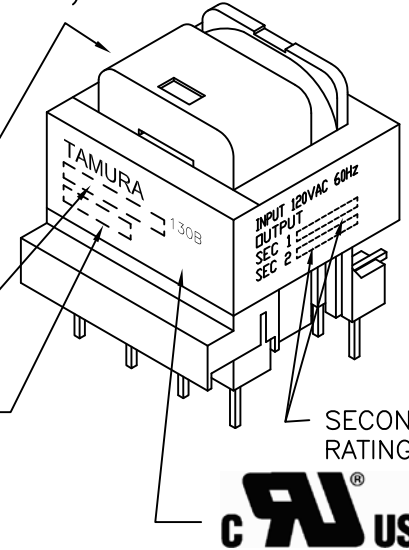
C. Safety:

Conforms to construction requirements of  
UL60950-1  
UL60335-1  
UL60065  
UL5085-3/CSA No66.3 (UL FILE E64149)  
Class 2 or 3 output, Inherently limited.  
UL-Recognized Electrical Insulation System rated 130°C(B)  
for use as Reinforced Insulation, or Where Double Insulation  
is required in accordance with UL1097.

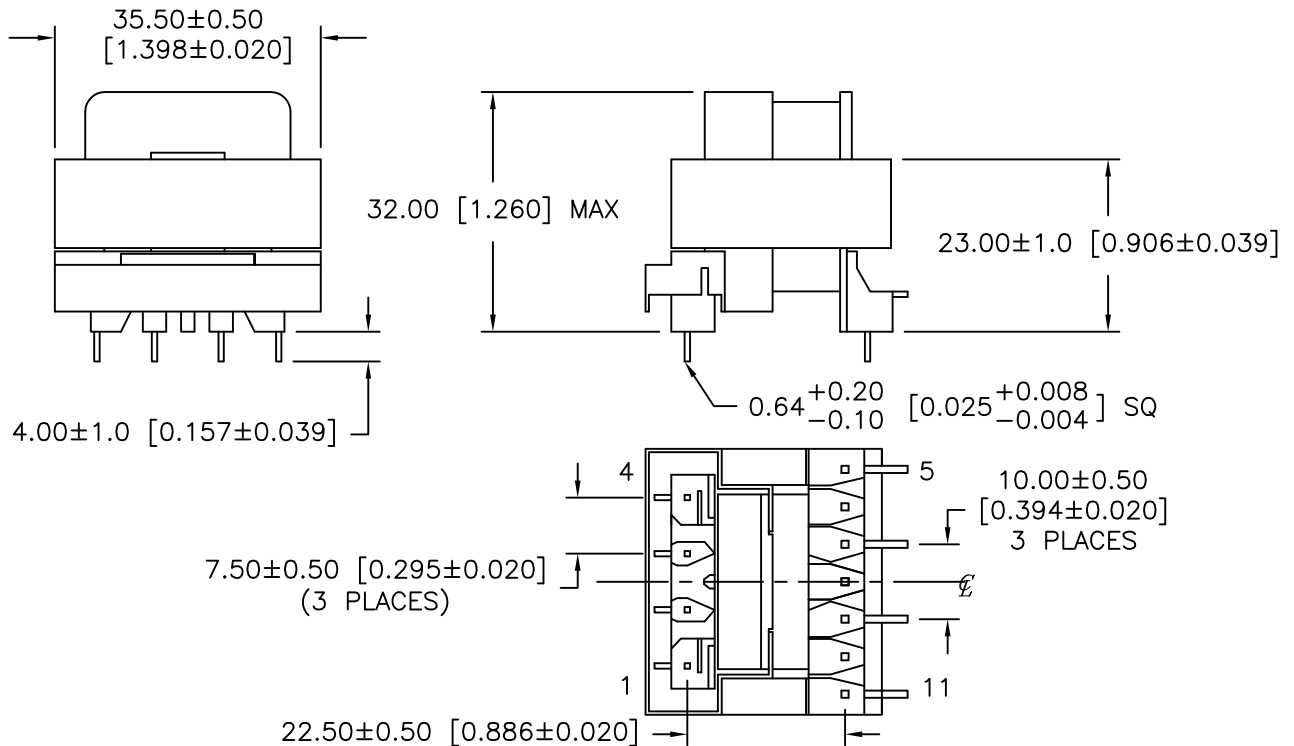
DATE CODE

Part Number  
(See sheet 2)

Country of origin



D. Mechanical Specifications:



PREPARED BY:

E. BRINER

ENGINEER:  
MATHI PITCHAI  
SAFETY ENGINEER

DWG CONTROL NO.  
P-A1-13117  
ACAD\MXFMR\A1131171.DWG

REV  
F

2.0VA PCB  
SMALL POWER TRANSFORMER

**SB3512-20XX**

APPROVED:  
T.B.

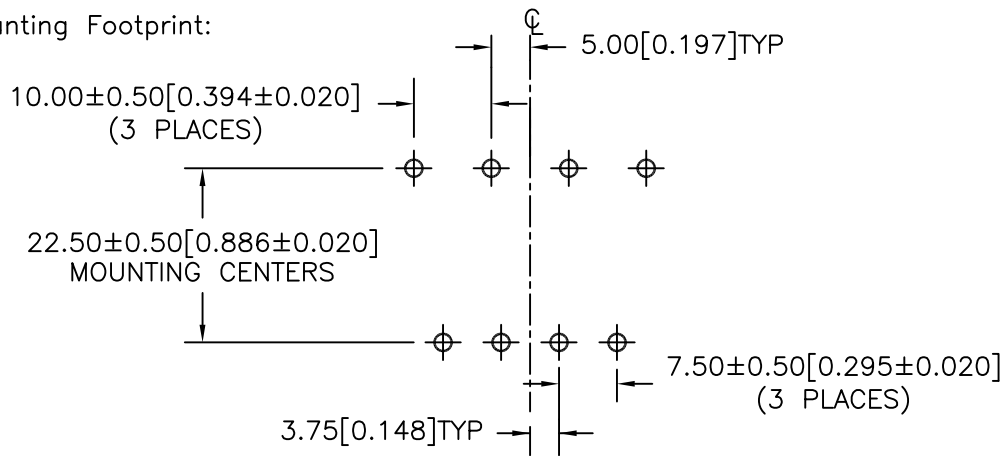
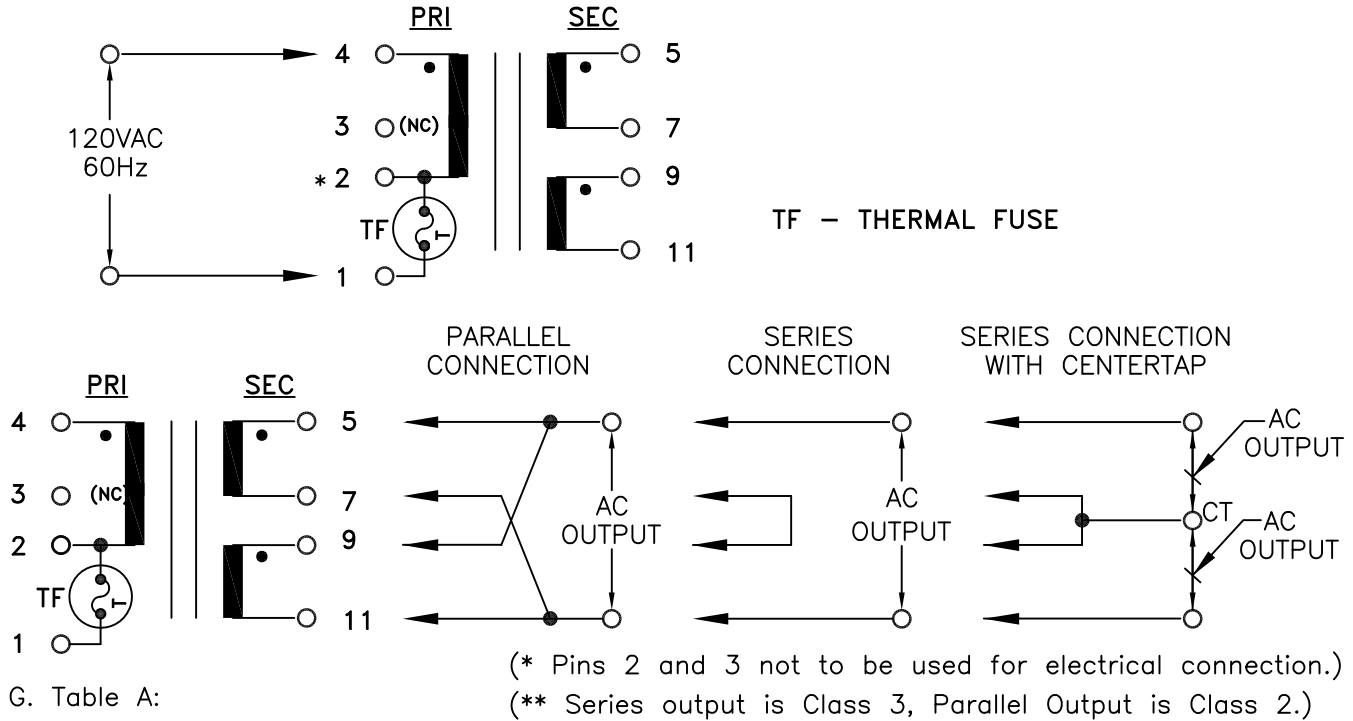
CONTENTS OF THIS DRAWING ARE  
SUBJECT TO CHANGE WITHOUT  
PRIOR NOTICE

**TAMURA CORPORATION OF AMERICA**  
43352 BUSINESS PARK DRIVE, TEMECULA, CA. 92590-6624  
(951) 699-1270 FAX 9516769482

MODEL SPECIFICATION

DIM: mm[In] SCL: 1/1 SH: 1 OF 2

PROPRIETARY NOTICE: THIS DRAWING PRINT OR DOCUMENT AND SUBJECT MATTER DISCLOSED HEREIN ARE PROPRIETARY ITEMS TO WHICH TAMURA  
RETAINS THE EXCLUSIVE RIGHT OF DISSEMINATION, REPRODUCTION, MANUFACTURE AND SALE. THIS DRAWING, PRINT OR DOCUMENT IS SUBMITTED IN  
CONFIDENCE FOR CONSIDERATION BY THE RECIPIENT ALONE UNLESS PERMISSION FOR FURTHER DISCLOSURE IS EXPRESSLY GRANTED IN WRITING.

**E. Mounting Footprint:**

**F. Schematic Diagram:**

**G. Table A:**

PART NO.	PARALLEL CONNECTION		SERIES CONNECTION		SERIES CONNECTION WITH CT		OUTPUT
	AC VOLTS	RMS mAMPS	AC VOLTS	RMS mAMPS	AC VOLTS	RMS mAMPS	
SB3512-2004	2.0	1000	4.0	500	2.0-CT-2.0	500	2X2.0V
SB3512-2006	3.0	670	6.0	335	3.0-CT-3.0	335	2X3.0V
SB3512-2010	5.0	400	10.0	200	5.0-CT-5.0	200	2X5.0V
SB3512-2014	7.0	290	14.0	145	7.0-CT-7.0	145	2X7.0V
SB3512-2016	8.0	250	16.0	125	8.0-CT-8.0	125	2X8.0V
SB3512-2018	9.0	220	18.0	110	9.0-CT-9.0	110	2X9.0V
SB3512-2022	11.0	180	22.0	90	11.0-CT-11.0	90	2X11.0V
SB3512-2024	12.0	170	24.0	85	12.0-CT-12.0	85	2X12.0V
SB3512-2026**	13.0	150	26.0	75	13.0-CT-13.0	75	2X13.0V
SB3512-2030**	15.0	130	30.0	65	15.0-CT-15.0	65	2X15.0V

PREPARED BY:

E. BRINER

 ENGINEER:  
 MATHI PITCHAI  
 SAFETY ENGINEER

 DWG CONTROL NO.  
 P-A1-13117  
 ACAD\MXFMR\A1131171.DWG

 REV  
 F

 2.0VA PCB  
 SMALL POWER TRANSFORMER

**SB3512-20XX**

B.O.

 CONTENTS OF THIS DRAWING ARE  
 SUBJECT TO CHANGE WITHOUT  
 PRIOR NOTICE

**TAMURA CORPORATION OF AMERICA**  
 43352 BUSINESS PARK DRIVE, TEMECULA, CA. 92590-6624  
 (951) 699-1270 FAX 9516769482

 MODEL SPECIFICATION  
 DIM: mm[In] SCL: 1/1 SH: 2 OF 2

APPROVED:

T.B.

 PROPRIETARY NOTICE: THIS DRAWING PRINT OR DOCUMENT AND SUBJECT MATTER DISCLOSED HEREIN ARE PROPRIETARY ITEMS TO WHICH TAMURA  
 RETAINS THE EXCLUSIVE RIGHT OF DISSEMINATION, REPRODUCTION, MANUFACTURE AND SALE. THIS DRAWING, PRINT OR DOCUMENT IS SUBMITTED IN  
 CONFIDENCE FOR CONSIDERATION BY THE RECIPIENT ALONE UNLESS PERMISSION FOR FURTHER DISCLOSURE IS EXPRESSLY GRANTED IN WRITING.