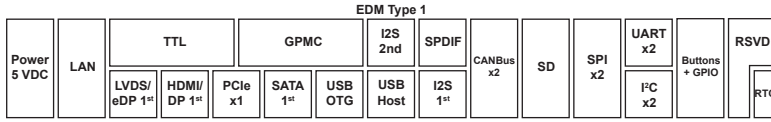
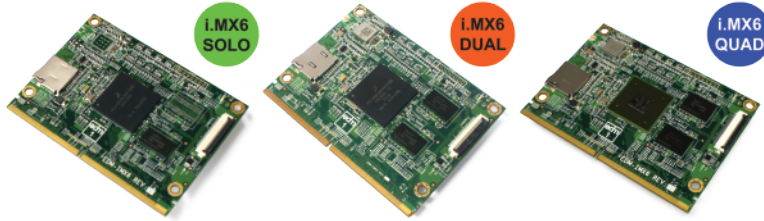


# WANDBOARD.ORG

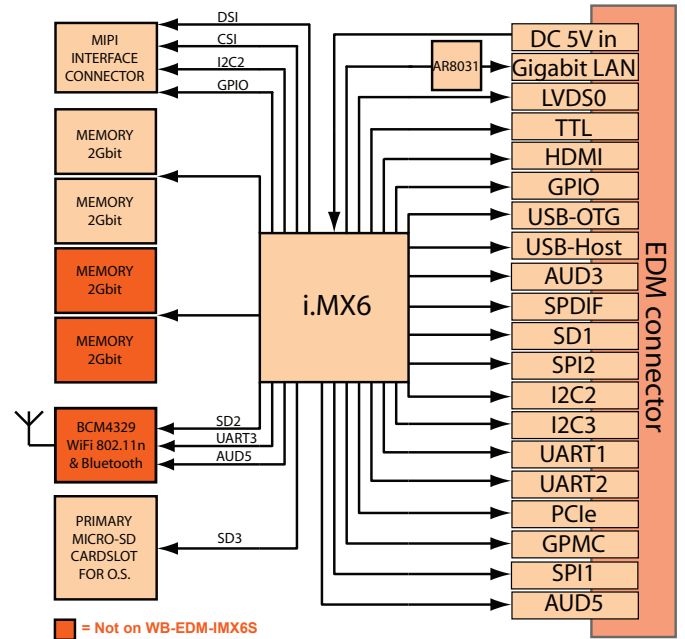


	WB-EDM-IMX6S	WB-EDM-IMX6DL	WB-EDM-IMX6Q
<b>Processor</b>	i.MX6 Solo	i.MX6 DualLite	i.MX6 Quad
<b>Cores</b>	ARM Cortex-A9 Single core @ 1GHz	ARM Cortex-A9 Dual core @ 1GHz	ARM Cortex-A9 Quad core @ 1GHz
<b>Memory</b>	512 MB DDR3	1 GB DDR3	2 GB DDR3
<b>MIPI Display</b>	✓	✓	✓
<b>MIPI Camera</b>	✓	✓	✓
<b>micro SD cardslot</b>	✓	✓	✓
<b>WIFI (802.11n)</b>	X	✓	✓
<b>Bluetooth</b>	X	✓	✓

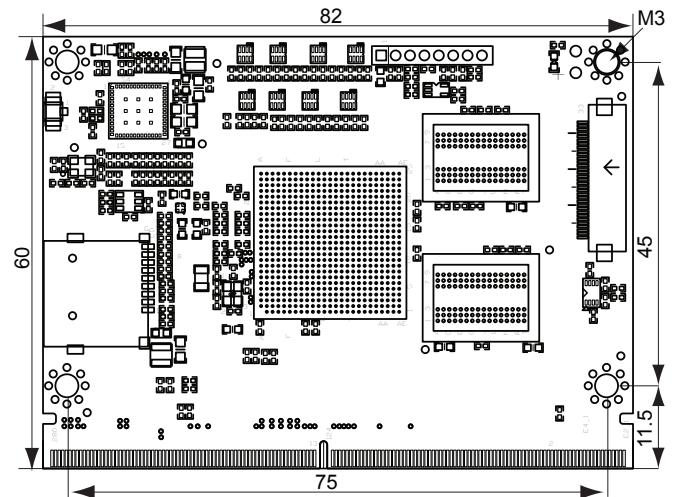
### Interfaces available on the EDM Connector

<b>I<sup>2</sup>S Audio</b>	✓	✓	✓
<b>Optical S/PDIF</b>	✓	✓	✓
<b>HDMI</b>	✓	✓	✓
<b>LVDS</b>	✓	✓	✓
<b>TTL Display</b>	✓	✓	✓
<b>USB</b>	✓	✓	✓
<b>USB OTG</b>	✓	✓	✓
<b>SATA</b>	X	X	✓
<b>Gigabit LAN</b>	✓	✓	✓
<b>GPMC</b>	✓	✓	✓
<b>UART</b>	✓	✓	✓
<b>I<sup>2</sup>C</b>	✓	✓	✓
<b>SPI</b>	✓	✓	✓
<b>PCIe</b>	✓	✓	✓

Complete schematics, source code and documentation can be found on [www.wandboard.org](http://www.wandboard.org)



Not on WB-EDM-IMX6S



## Order information

- WB-EDM-IMX6S-10PACK** i.MX6 Solo 10 module pack
- WB-EDM-IMX6DL-10PACK** i.MX6 DualLite 10 module pack
- WB-EDM-IMX6Q-10PACK** i.MX6 Quad 10 module pack

## Accessories

- EDMCONNECTORKIT** 10 sets of EDM connectors, standoffs and screws.

