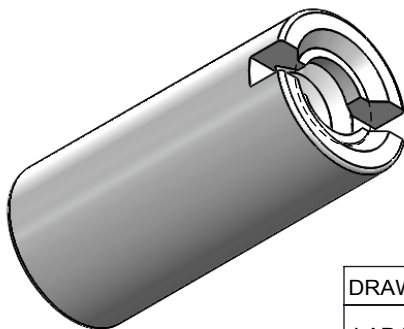
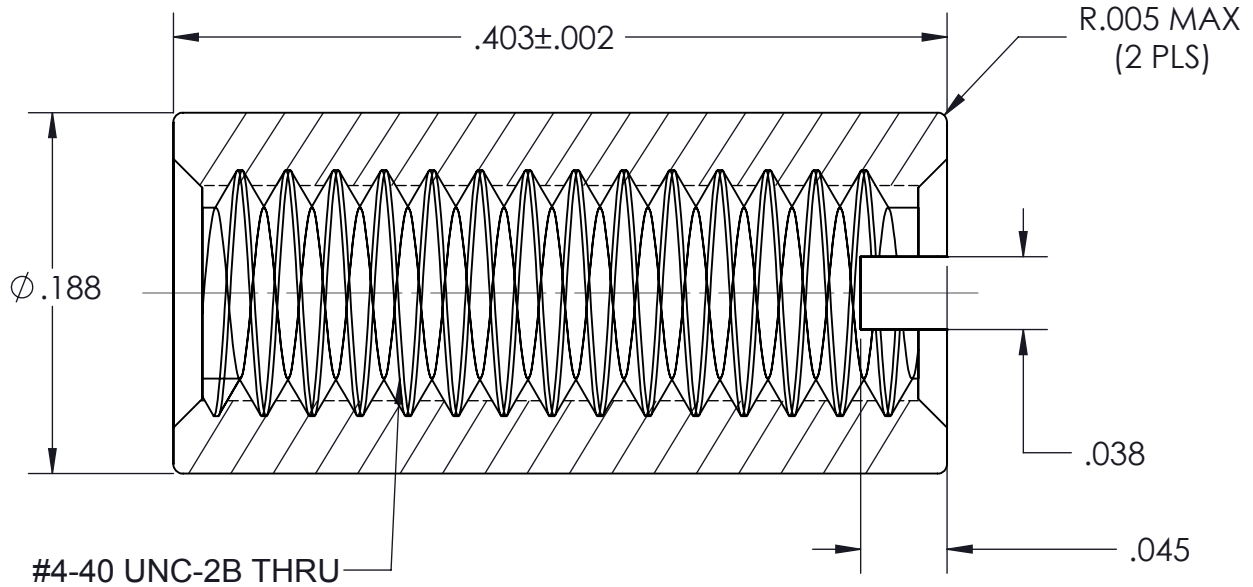


VICOR CONFIDENTIAL

THIS DOCUMENT AND THE DATA DISCLOSED HEREIN OR HEREWITH IS NOT TO BE REPRODUCED, USED OR DISCLOSED IN WHOLE OR IN PART TO ANYONE WITHOUT THE PERMISSION OF VICOR CORP.

REVISIONS				
REV	DESCRIPTION		DATE	APPROVED
1	RELEASE PER E9830074	PEI	11/13/98	JMR
2	REVISED PER E100944	KUK	07/22/10	DCS



**NOTES:**

1. MATERIAL: 300 SERIES STAINLESS STEEL PER AISI.
2. FINISH: CLEAR PASSIVATE PER QQ-P-35B, TYPE II.
3. REMOVE ALL BURRS AND SHARP EDGES.
4. KIT P/N 18156 AND 24054
5. BAG P/N 19132
6. DIMENSIONS ARE INCHES ONLY.

DRAWN	DATE
LAP NGUYEN	11/24/97



SWD

MATERIAL	UNLESS OTHERWISE SPECIFIED DIMENSIONS ARE INCH [MM] TOLERANCES ARE: DECIMALS      ANGLES X.XX [X.X] = ±0.01 [0.25]      ±1° X.XXX [X.XX] = ±0.005 [0.127]
FINISH	
THIRD ANGLE PROJECTION	
DO NOT SCALE DRAWING	

**STANDOFF, 0.403 LG  
FEMALE-FEMALE**

SIZE	CAGE CODE	DWG NO	REV
<b>A</b>	<b>67131</b>	<b>18114</b>	<b>2</b>
SCALE 10 : 1		SHEET 1 OF 1	