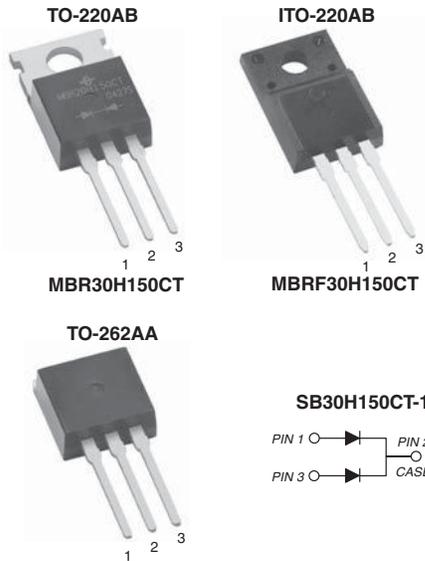


## Dual Common Cathode High Voltage Schottky Rectifier

 Low Leakage Current 5.0  $\mu$ A


### FEATURES

- Power pack
- Guardring for overvoltage protection
- Low power losses, high efficiency
- Low forward voltage drop
- High frequency operation
- Solder dip 275 °C max. 10 s, per JESD 22-B106
- Material categorization: For definitions of compliance please see [www.vishay.com/doc?99912](http://www.vishay.com/doc?99912)


**RoHS**  
COMPLIANT

### TYPICAL APPLICATIONS

For use in high frequency inverters, freewheeling, and polarity protection application.

### MECHANICAL DATA

**Case:** TO-220AB, ITO-220AB, TO-262AA

 Molding compound meets UL 94 V-0 flammability rating  
Base P/N-E3 - RoHS-compliant, commercial grade

**Terminals:** Matte tin plated leads, solderable per J-STD-002 and JESD 22-B102

E3 suffix meets JESD 201 class 1A whisker test

**Polarity:** As marked

**Mounting Torque:** 10 in-lbs maximum

PRIMARY CHARACTERISTICS	
$I_{F(AV)}$	2 x 15 A
$V_{RRM}$	150 V
$I_{FSM}$	260 A
$V_F$	0.75 V
$T_J$	175 °C
Package	TO-220AB, ITO-220AB, TO-262AA
Diode variations	Dual Common Cathode

MAXIMUM RATINGS ( $T_C = 25$ °C unless otherwise noted)					
PARAMETER	SYMBOL	MBR30H150CT	MBRF30H150CT	SB30H150CT-1	UNIT
Maximum repetitive peak reverse voltage	$V_{RRM}$		150		V
Working peak reverse voltage	$V_{RWM}$		150		V
Maximum DC blocking voltage	$V_{DC}$		150		V
Maximum average forward rectified current	$I_{F(AV)}$	total device	30		A
		per diode	15		
Peak forward surge current 8.3 ms single half sine-wave superimposed on rated load per diode	$I_{FSM}$		260		A
Peak repetitive reverse current per diode at $t_p = 2$ $\mu$ s, 1 kHz	$I_{RRM}$		1.0		A
Peak non-repetitive reverse surge energy per diode (8/20 $\mu$ s waveform)	$E_{RSM}$		10		mJ
Non-repetitive avalanche energy per diode at 25 °C, $I_{AS} = 2$ A, $L = 10$ mH	$E_{AS}$		20		mJ
Voltage rate of change (rated $V_R$ )	dV/dt		10 000		V/ $\mu$ s
Operating junction and storage temperature range	$T_J, T_{STG}$		- 65 to + 175		°C
Isolation voltage (ITO-220AB only) from terminals to heatsink $t = 1$ min	$V_{AC}$		1500		V



<b>ELECTRICAL CHARACTERISTICS</b> ( $T_C = 25\text{ }^\circ\text{C}$ unless otherwise noted)						
PARAMETER	SYMBOL	TEST CONDITIONS		VALUE	UNIT	
Maximum instantaneous forward voltage per diode	$V_F^{(1)}$	$I_F = 15\text{ A}$	$T_C = 25\text{ }^\circ\text{C}$	0.90	V	
		$I_F = 15\text{ A}$	$T_C = 125\text{ }^\circ\text{C}$	0.75		
		$I_F = 30\text{ A}$	$T_C = 25\text{ }^\circ\text{C}$	0.99		
		$I_F = 30\text{ A}$	$T_C = 125\text{ }^\circ\text{C}$	0.86		
Maximum reverse current per diode at working peak reverse voltage	$I_R^{(1)}$			$T_J = 25\text{ }^\circ\text{C}$	$5.0$	$\mu\text{A}$
				$T_J = 125\text{ }^\circ\text{C}$	$1.0$	$\text{mA}$

**Note**

(1) Pulse test: 300  $\mu\text{s}$  pulse width, 1 % duty cycle

<b>THERMAL CHARACTERISTICS</b> ( $T_C = 25\text{ }^\circ\text{C}$ unless otherwise noted)					
PARAMETER	SYMBOL	MBR	MBRF	MBRB	UNIT
Typical thermal resistance per diode	$R_{\theta JC}$	1.7	4.0	1.7	$^\circ\text{C/W}$

<b>ORDERING INFORMATION</b> (Example)					
PACKAGE	PREFERRED P/N	UNIT WEIGHT (g)	PACKAGE CODE	BASE QUANTITY	DELIVERY MODE
TO-220AB	MBR30H150CT-E3/45	2.06	45	50/tube	Tube
ITO-220AB	MBRF30H150CT-E3/45	2.20	45	50/tube	Tube
TO-262AA	SB30H150CT-1E3/45	1.58	45	50/tube	Tube

**RATINGS AND CHARACTERISTICS CURVES**

( $T_A = 25\text{ }^\circ\text{C}$  unless otherwise noted)

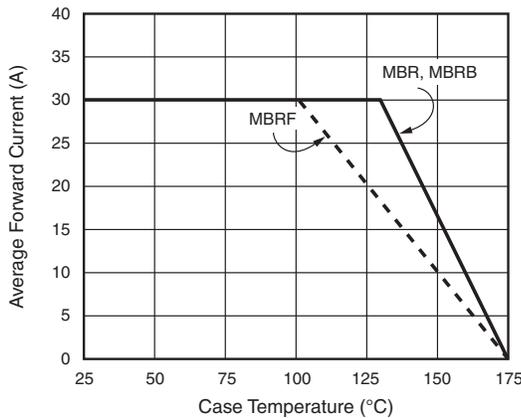


Fig. 1 - Forward Current Derating Curve (Total)

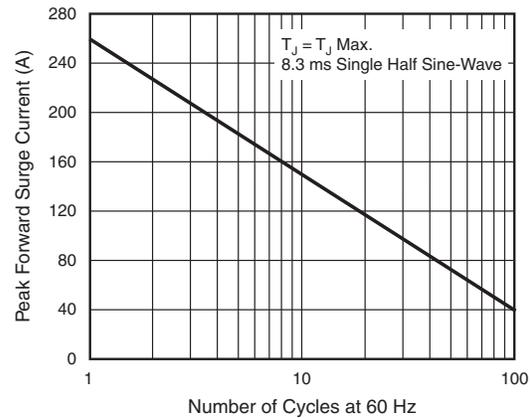


Fig. 2 - Maximum Non-Repetitive Peak Forward Surge Current Per Diode

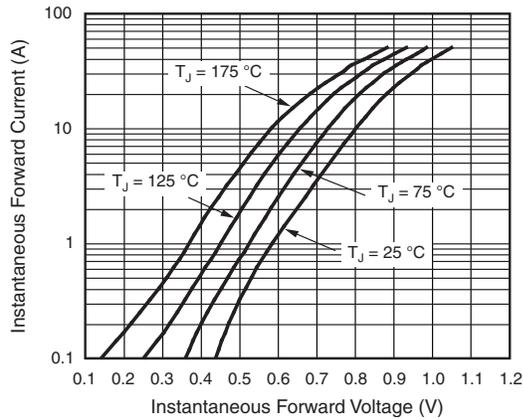


Fig. 3 - Typical Instantaneous Forward Characteristics Per Diode

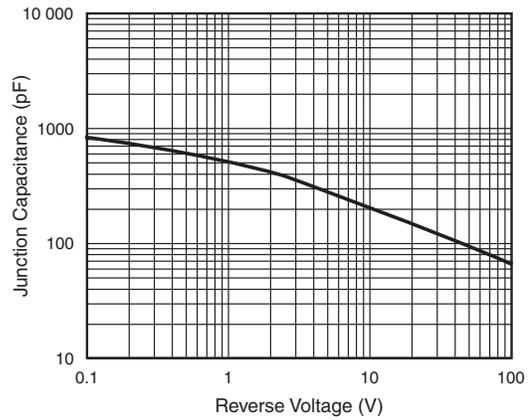


Fig. 5 - Typical Junction Capacitance Per Diode

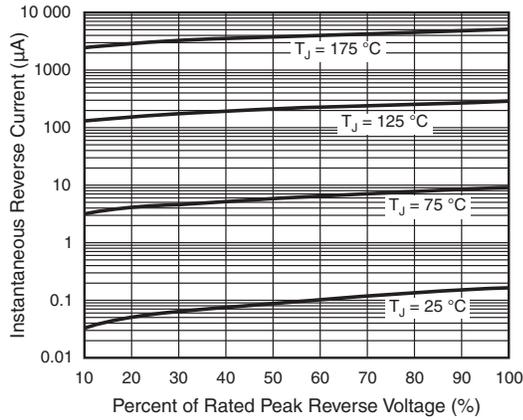


Fig. 4 - Typical Reverse Characteristics Per Diode

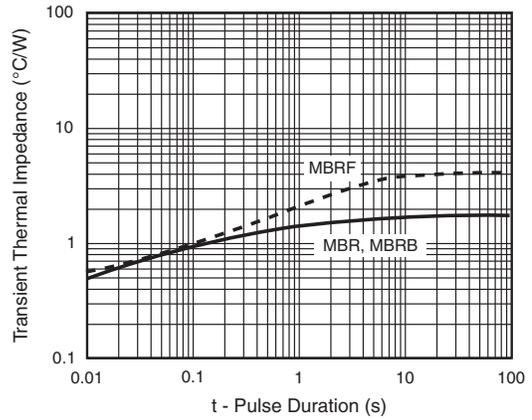
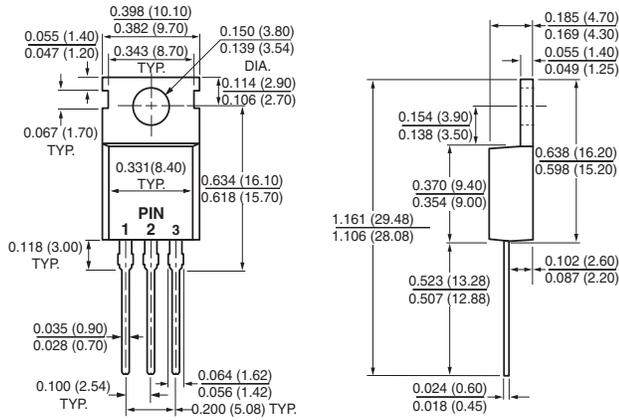


Fig. 6 - Typical Transient Thermal Impedance Per Diode

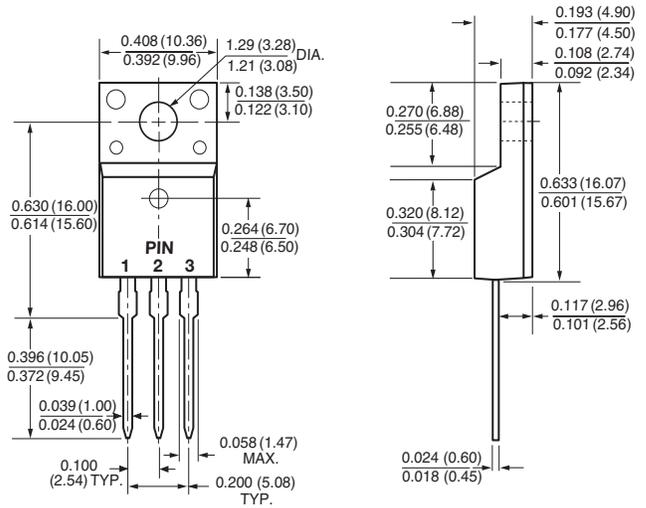


### PACKAGE OUTLINE DIMENSIONS in inches (millimeters)

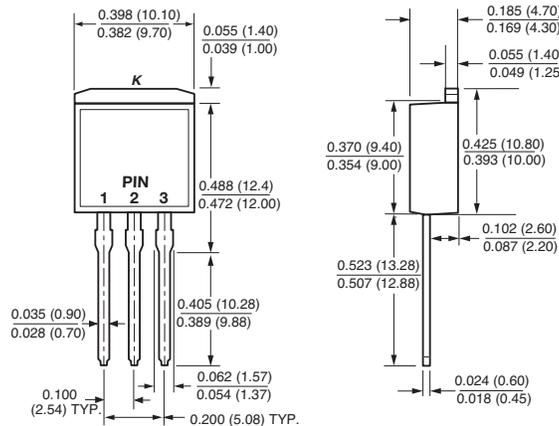
#### TO-220AB



#### ITO-220AB



#### TO-262AA





## Disclaimer

ALL PRODUCT, PRODUCT SPECIFICATIONS AND DATA ARE SUBJECT TO CHANGE WITHOUT NOTICE TO IMPROVE RELIABILITY, FUNCTION OR DESIGN OR OTHERWISE.

Vishay Intertechnology, Inc., its affiliates, agents, and employees, and all persons acting on its or their behalf (collectively, "Vishay"), disclaim any and all liability for any errors, inaccuracies or incompleteness contained in any datasheet or in any other disclosure relating to any product.

Vishay makes no warranty, representation or guarantee regarding the suitability of the products for any particular purpose or the continuing production of any product. To the maximum extent permitted by applicable law, Vishay disclaims (i) any and all liability arising out of the application or use of any product, (ii) any and all liability, including without limitation special, consequential or incidental damages, and (iii) any and all implied warranties, including warranties of fitness for particular purpose, non-infringement and merchantability.

Statements regarding the suitability of products for certain types of applications are based on Vishay's knowledge of typical requirements that are often placed on Vishay products in generic applications. Such statements are not binding statements about the suitability of products for a particular application. It is the customer's responsibility to validate that a particular product with the properties described in the product specification is suitable for use in a particular application. Parameters provided in datasheets and / or specifications may vary in different applications and performance may vary over time. All operating parameters, including typical parameters, must be validated for each customer application by the customer's technical experts. Product specifications do not expand or otherwise modify Vishay's terms and conditions of purchase, including but not limited to the warranty expressed therein.

Except as expressly indicated in writing, Vishay products are not designed for use in medical, life-saving, or life-sustaining applications or for any other application in which the failure of the Vishay product could result in personal injury or death. Customers using or selling Vishay products not expressly indicated for use in such applications do so at their own risk. Please contact authorized Vishay personnel to obtain written terms and conditions regarding products designed for such applications.

No license, express or implied, by estoppel or otherwise, to any intellectual property rights is granted by this document or by any conduct of Vishay. Product names and markings noted herein may be trademarks of their respective owners.