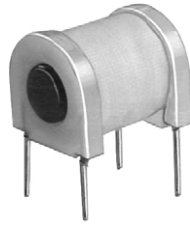




# Through Hole Transformers Trigger, SCR Isolation



## FEATURES

- Designed for low-cost trigger source isolation in SCR power control circuits
- Small physical size and low profile provide packaging advantages
- Designed to transfer high amplitude or long duration pulses without saturation
- Industrial and commercial applications include motor speed controls, lighting controls and heater controls
- Interchangeable. Designed for circuit board mounting using same mounting dimensions as 11Z and PT-20 models
- Material categorization: for definitions of compliance please see [www.vishay.com/doc?99912](http://www.vishay.com/doc?99912)



**RoHS**  
COMPLIANT

## ELECTRICAL SPECIFICATIONS

**Primary inductance values:** from 200  $\mu$ H to 5000  $\mu$ H

**Turns ratio:** 1:1, 2:1 and 5:1

**Temperature range:** -55 °C to +105 °C

**Dielectric test at 60 Hz:** 1600 V<sub>RMS</sub> (Windings to core)

**AC line voltage at 60 Hz:** 240 V<sub>RMS</sub> maximum in test circuits shown

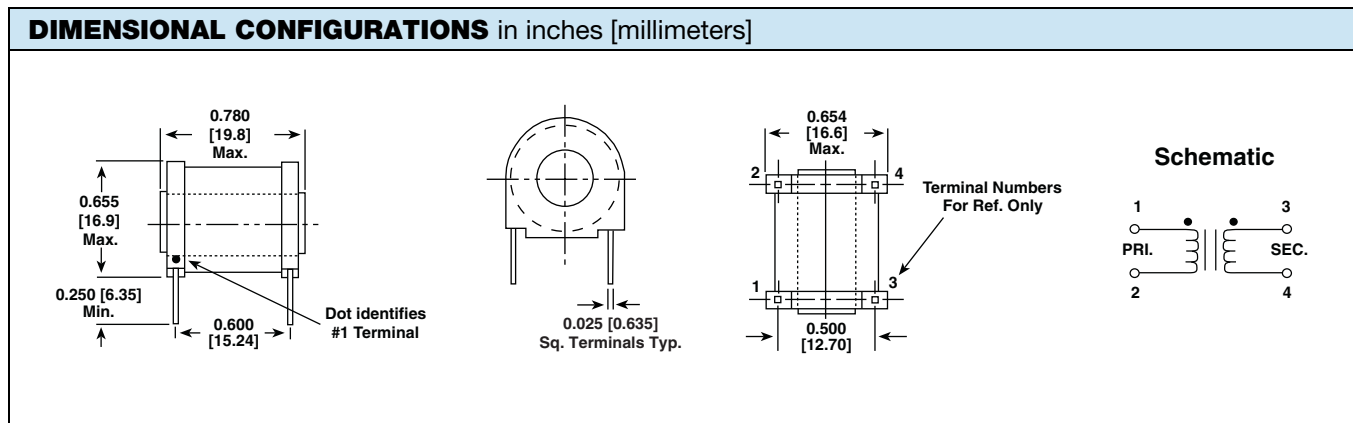
## MATERIAL SPECIFICATIONS

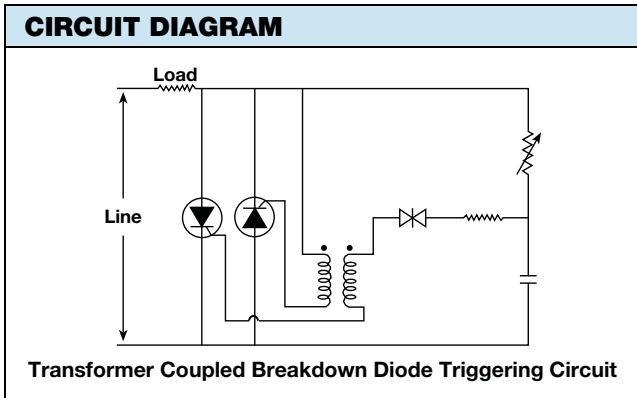
**Bobbin:** glass-filled nylon

**Terminals:** 0.025" [0.635] square tinned copper

**Material rating:** +105 °C class A

STANDARD ELECTRICAL SPECIFICATIONS							
MODEL	URNS RATIO	PRIMARY IND. MIN. ( $\mu$ H)	LEAKAGE IND. MAX. ( H)	INTERWINDING CAPACITY MAX. (pF)	PRIMARY DCR MAX. ( $\Omega$ )	SECONDARY DCR MAX. ( $\Omega$ )	UNIPOLAR ET (V- s)
PT-50-101	1:1 $\pm$ 10 %	200	3	3	1.5	1.5	570
PT-50-102	1:1 $\pm$ 10 %	500	6	6	4.5	4.5	912
PT-50-103	1:1 $\pm$ 10 %	1000	12	12	8.0	8.0	1283
PT-50-104	1:1 $\pm$ 10 %	2000	13	13	12.0	12.0	1853
PT-50-105	1:1 $\pm$ 10 %	5000	15	15	18.4	18.4	2850
PT-50-106	2:1 $\pm$ 10 %	500	6	6	4.0	2.0	912
PT-50-107	2:1 $\pm$ 10 %	1000	10	10	10.0	2.0	1288
PT-50-108	2:1 $\pm$ 10 %	2000	12	12	10.0	5.0	1881
PT-50-109	2:1 $\pm$ 10 %	5000	15	15	18.0	10.0	2565
PT-50-110	5:1 $\pm$ 10 %	5000	1500	1500	19.0	3.0	2850





**PART MARKING**

- Vishay Dale
- Model
- Dash number

**ORDERING INFORMATION**

<b>PT-50</b> MODEL	<b>101</b> DASH NUMBER	<b>EB</b> PACKAGE CODE	<b>e2</b> JEDEC® LEAD (Pb)-FREE STANDARD
-----------------------	---------------------------	---------------------------	--

**GLOBAL PART NUMBER**

<table border="1"> <tr> <td>P</td> <td>T</td> <td>0</td> <td>5</td> <td>0</td> </tr> </table> <p>MODEL</p>	P	T	0	5	0	<table border="1"> <tr> <td>E</td> <td>B</td> </tr> </table> <p>PACKAGE CODE</p>	E	B	<table border="1"> <tr> <td>1</td> <td>0</td> <td>1</td> </tr> </table> <p>DASH NUMBER</p>	1	0	1
P	T	0	5	0								
E	B											
1	0	1										



## **Disclaimer**

ALL PRODUCT, PRODUCT SPECIFICATIONS AND DATA ARE SUBJECT TO CHANGE WITHOUT NOTICE TO IMPROVE RELIABILITY, FUNCTION OR DESIGN OR OTHERWISE.

Vishay Intertechnology, Inc., its affiliates, agents, and employees, and all persons acting on its or their behalf (collectively, "Vishay"), disclaim any and all liability for any errors, inaccuracies or incompleteness contained in any datasheet or in any other disclosure relating to any product.

Vishay makes no warranty, representation or guarantee regarding the suitability of the products for any particular purpose or the continuing production of any product. To the maximum extent permitted by applicable law, Vishay disclaims (i) any and all liability arising out of the application or use of any product, (ii) any and all liability, including without limitation special, consequential or incidental damages, and (iii) any and all implied warranties, including warranties of fitness for particular purpose, non-infringement and merchantability.

Statements regarding the suitability of products for certain types of applications are based on Vishay's knowledge of typical requirements that are often placed on Vishay products in generic applications. Such statements are not binding statements about the suitability of products for a particular application. It is the customer's responsibility to validate that a particular product with the properties described in the product specification is suitable for use in a particular application. Parameters provided in datasheets and / or specifications may vary in different applications and performance may vary over time. All operating parameters, including typical parameters, must be validated for each customer application by the customer's technical experts. Product specifications do not expand or otherwise modify Vishay's terms and conditions of purchase, including but not limited to the warranty expressed therein.

Except as expressly indicated in writing, Vishay products are not designed for use in medical, life-saving, or life-sustaining applications or for any other application in which the failure of the Vishay product could result in personal injury or death. Customers using or selling Vishay products not expressly indicated for use in such applications do so at their own risk. Please contact authorized Vishay personnel to obtain written terms and conditions regarding products designed for such applications.

No license, express or implied, by estoppel or otherwise, to any intellectual property rights is granted by this document or by any conduct of Vishay. Product names and markings noted herein may be trademarks of their respective owners.