

High-Speed, Low-Glitch D/CMOS Analog Switches

DESCRIPTION

The DG611, DG612, DG613 feature high-speed low-capacitance lateral DMOS switches. Charge injection has been minimized to optimize performance in fast sample-and-hold applications.

Each switch conducts equally well in both directions when on and blocks up to 16 V_{p-p} when off. Capacitances have been minimized to ensure fast switching and low-glitch energy. To achieve such fast and clean switching performance, the DG611, DG612, DG613 are built on the Vishay Siliconix proprietary D/CMOS process. This process combines n-channel DMOS switching FETs with low-power CMOS control logic and drivers. An epitaxial layer prevents latchup.

The DG611 and DG612 differ only in that they respond to opposite logic levels. The versatile DG613 has two normally open and two normally closed switches. It can be given various configurations, including four SPST, two SPDT, one DPDT.

For additional information see Applications Note AN207.

FEATURES

- Fast switching - t_{ON}: 12 ns
- Low charge injection: ± 2 pC
- Wide bandwidth: 500 MHz
- 5 V CMOS logic compatible
- Low R_{DS(on)}: 18 Ω
- Low quiescent power : 1.2 nW
- Single supply operation

BENEFITS

- Improved data throughput
- Minimal switching transients
- Improved system performance
- Easily interfaced
- Low insertion loss
- Minimal power consumption

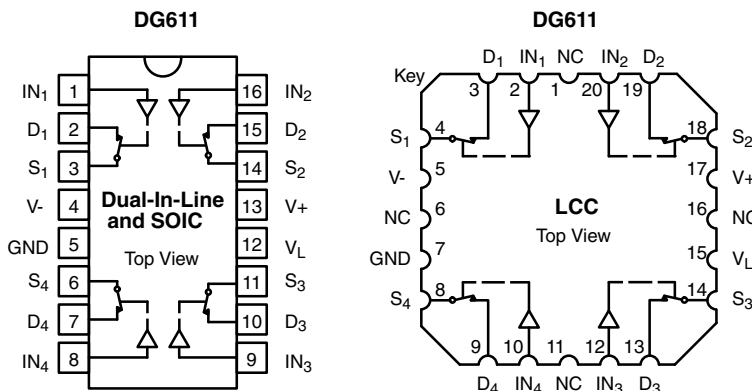
APPLICATIONS

- Fast sample-and-holds
- Synchronous demodulators
- Pixel-rate video switching
- Disk/tape drives
- DAC deglitching
- Switched capacitor filters
- GaAs FET drivers
- Satellite receivers



Available
RoHS*
COMPLIANT

FUNCTIONAL BLOCK DIAGRAM AND PIN CONFIGURATION



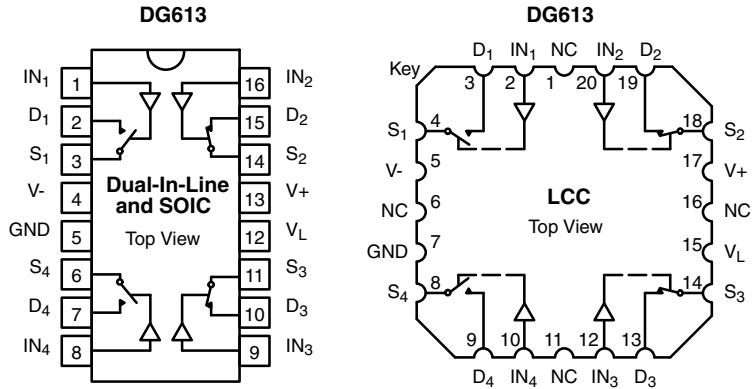
Four SPST Switches per Package

TRUTH TABLE		
Logic	DG611	DG612
0	ON	OFF
1	OFF	ON

Logic "0" ≤ 1 V
Logic "1" ≥ 4 V

* Pb containing terminations are not RoHS compliant, exemptions may apply

FUNCTIONAL BLOCK DIAGRAM AND PIN CONFIGURATION



Four SPST Switches per Package

TRUTH TABLE		
Logic	SW ₁ , SW ₄	SW ₂ , SW ₃
0	OFF	ON
1	ON	OFF

Logic "0" ≤ 1 V
Logic "1" ≥ 4 V

ORDERING INFORMATION		
Temp. Range	Package	Part Number
DG611, DG612		
- 40 °C to 85 °C	16-Pin Plastic DIP	DG611DJ DG611DJ-E3
		DG612DJ DG612DJ-E3
	16-Pin Narrow SOIC	DG611DY DG611DY-E3 DG611DY-T1 DG611DY-T1-E3
		DG612DY DG612DY-E3 DG612DY-T1 DG612DY-T1-E3
DG613		
- 40 °C to 85 °C	16-Pin Plastic DIP	DG613DJ DG613DJ-E3
	16-Pin Narrow SOIC	DG613DY DG613DY-E3 DG613DY-T1 DG613DY-T1-E3



ABSOLUTE MAXIMUM RATINGS			
Parameter	Limit	Unit	
V+ to V-	- 0.3 to 21	V	
V+ to GND	- 0.3 to 21		
V- to GND	- 19 to 0.3		
V _L to GND	- 1 to (V+) + 1 or 20 mA, whichever occurs first		
V _{IN} ^a	(V-) - 1 to (V+) + 1 or 20 mA, whichever occurs first		
V _S , V _D ^a	(V-) - 0.3 to (V+) + 16 or 20 mA, whichever occurs first		
Continuous Current (Any Terminal)	± 30	mA	
Current, S or D (Pulsed at 1 μs, 10 % Duty Cycle)	± 100		
Storage Temperature	CerDIP	- 65 to 150	°C
	Plastic	- 65 to 125	
Power Dissipation (Package) ^b	16-Pin Plastic DIP ^c	470	mW
	16-Pin Narrow SOIC ^d	600	
	16-Pin CerDIP ^e	900	
	20-Pin LCC ^e	900	

Notes:

- a. Signals on S_x, D_x, or IN_x exceeding V+ or V- will be clamped by internal diodes. Limit forward diode current to maximum current ratings.
- b. All leads welded or soldered to PC board.
- c. Derate 6 mW/°C above 75 °C.
- d. Derate 7.6 mW/°C above 75 °C.
- e. Derate 12 mW/°C above 75 °C.

RECOMMENDED OPERATING RANGE		
Parameter	Limit	Unit
V+	5 to 21	V
V-	- 10 to 0	
V _L	4 to V+	
V _{IN}	0 to V _L	
V _{ANALOG}	V- to (V+) - 5	

SPECIFICATIONS ^a									
Parameter	Symbol	Test Conditions Unless Otherwise Specified V ₊ = 15 V, V ₋ = -3 V V _L = 5 V, V _{IN} = 4 V, 1 V ^f	Temp. ^b	Typ. ^c	A Suffix -55 °C to 125 °C		D Suffix -40 °C to 85 °C		Unit
					Min. ^d	Max. ^d	Min. ^d	Max. ^d	
Analog Switch									
Analog Signal Range ^e	V _{ANALOG}	V ₋ = -5 V, V ₊ = 12 V	Full		-5	7	-5	7	V
Switch On-Resistance	R _{DS(on)}	I _S = -1 mA, V _D = 0 V	Room Full	18		45 60		45 60	Ω
Resistance Match Bet Ch.	ΔR _{DS(on)}		Room	2					
Source Off Leakage	I _{S(off)}	V _S = 0 V, V _D = 10 V	Room Hot	± 0.001	-0.25 -20	0.25 20	-0.25 -20	0.25 20	nA
Drain Off Leakage Current	I _{D(off)}	V _S = 10 V, V _D = 0 V	Room Hot	± 0.001	-0.25 -20	0.25 20	-0.25 -20	0.25 20	
Switch On Leakage Current	I _{D(on)}	V _S = V _D = 0 V	Room Hot	± 0.001	-0.4 -40	0.4 40	-0.4 -40	0.4 40	
Digital Control									
Input Voltage High	V _{IH}		Full		4		4		V
Input Voltage Low	V _{IL}		Full			1		1	
Input Current	I _{IN}		Room Hot	0.005	-1 -20	1 20	-1 -20	1 20	μA
Input Capacitance	C _{IN}		Room	5					pF
Dynamic Characteristics									
Off State Input Capacitance	C _{S(off)}	V _S = 0 V	Room	3					pF
Off State Output Capacitance	C _{D(off)}	V _D = 0 V	Room	2					
On State Input Capacitance	C _{S(on)}	V _S = V _D = 0 V	Room	10					
Bandwidth	BW	R _L = 50 Ω	Room	500					MHz
Turn-On Time ^e	t _{ON}	R _L = 300 Ω, C _L = 3 pF V _S = ± 2 V, See test circuit, figure 2	Room	12		25		25	ns
Turn-Off Time ^e	t _{OFF}		Room	8		20		20	
Turn-On Time	t _{ON}	R _L = 300 Ω, C _L = 75 pF V _S = ± 2 V, See test circuit, figure 2	Room Full	19		35 50		35 50	
Turn-Off Time	t _{OFF}		Room Full	16		25 35		25 35	
Charge Injection ^e	Q	C _L = 1 nF, V _S = 0 V	Room	4					pC
Ch. Injection Change ^{e,g}	ΔQ	C _L = 1 nF, V _S ≤ 3 V	Room	3		4		4	
Off Isolation ^e	OIRR	R _{IN} = 50 Ω, R _L = 50 Ω f = 5 MHz	Room	74					dB
Crosstalk ^e	X _{TALK}	R _{IN} = 10 Ω, R _L = 50 Ω f = 5 MHz	Room	87					
Power Supplies									
Positive Supply Current	I ₊	V _{IN} = 0 V or 5 V	Room Full	0.005		1 5		1 5	μA
Negative Supply Current	I ₋		Room Full	-0.005	-1 -5		-1 -5		
Logic Supply Current	I _L		Room Full	0.005		1 5		1 5	
Ground Current	I _{GND}		Room Full	-0.005	-1 -5		-1 -5		



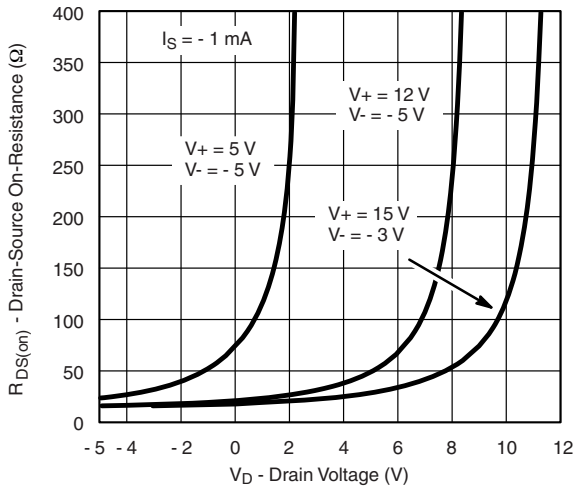
SPECIFICATIONS FOR UNIPOLAR SUPPLIES ^a									
Parameter	Symbol	Test Conditions Unless Otherwise Specified $V_+ = 15\text{ V}$, $V_- = -3\text{ V}$ $V_L = 5\text{ V}$, $V_{IN} = 4\text{ V}$, 1 V^f	Temp. ^b	Ty.p ^c	A Suffix -55 °C to 125 °C		D Suffix -40 °C to 85 °C		Unit
					Min. ^d	Max. ^d	Min. ^d	Max. ^d	
Analog Switch									
Analog Signal Range ^e	V_{ANALOG}		Full		0	7	0	7	V
Switch On-Resistance	$R_{DS(on)}$	$I_S = -1\text{ mA}$, $V_D = 1\text{ V}$	Room	25		60		60	Ω
Dynamic Characteristics									
Turn-On Time ^e	t_{ON}	$R_L = 300\ \Omega$, $C_L = 3\text{ pF}$ $V_S = 2\text{ V}$, See test circuit, figure 2	Room	15		30		30	ns
Turn-Off Time ^e	t_{OFF}		Room	10		25		25	

Notes:

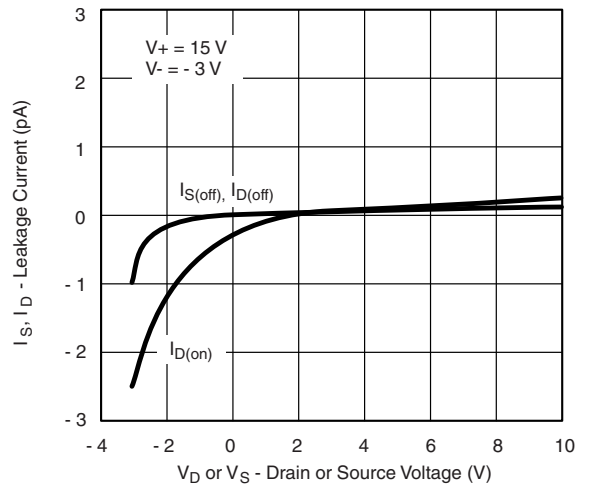
- a. Refer to PROCESS OPTION FLOWCHART.
- b. Room = 25 °C, Full = as determined by the operating temperature suffix.
- c. Typical values are for DESIGN AID ONLY, not guaranteed nor subject to production testing.
- d. The algebraic convention whereby the most negative value is a minimum and the most positive a maximum.
- e. Guaranteed by design, not subject to production test.
- f. V_{IN} = input voltage to perform proper function.
- g. $\Delta Q = |Q \text{ at } V_S = 3\text{ V} - Q \text{ at } V_S = -3\text{ V}|$.

Stresses beyond those listed under "Absolute Maximum Ratings" may cause permanent damage to the device. These are stress ratings only, and functional operation of the device at these or any other conditions beyond those indicated in the operational sections of the specifications is not implied. Exposure to absolute maximum rating conditions for extended periods may affect device reliability.

TYPICAL CHARACTERISTICS (25 °C, unless otherwise noted)

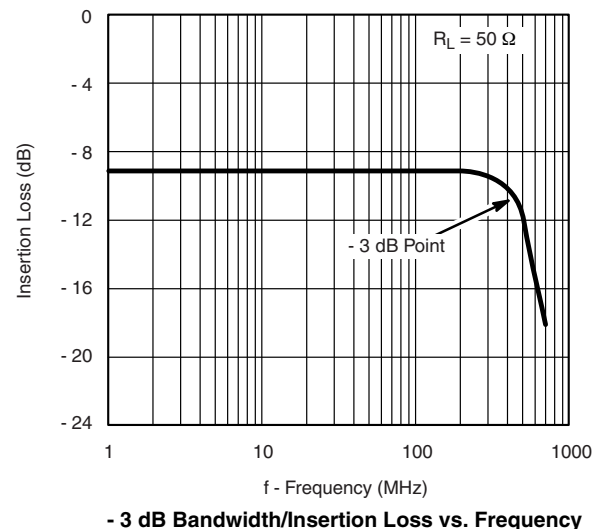
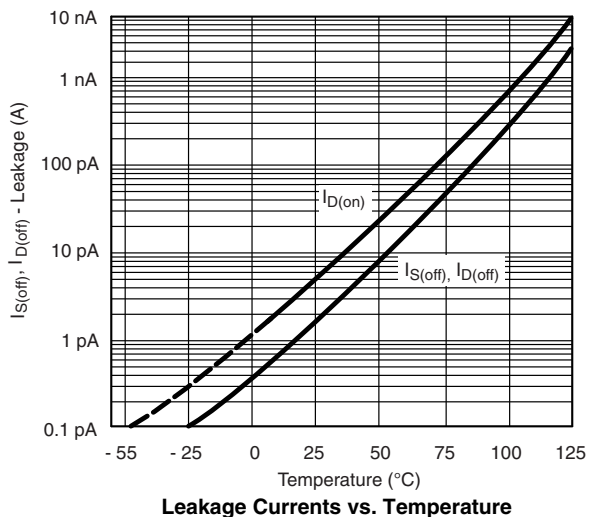
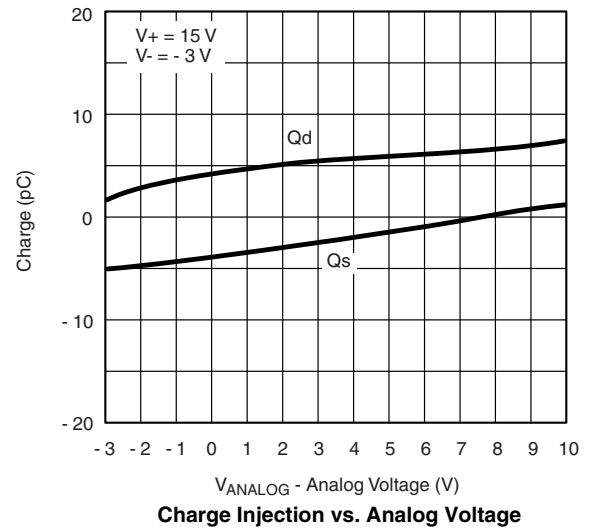
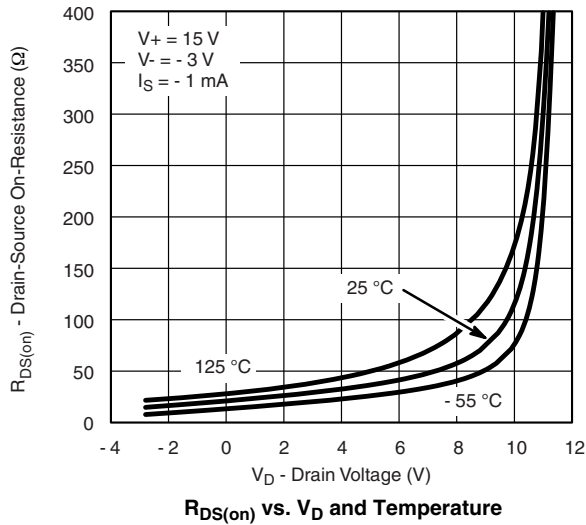
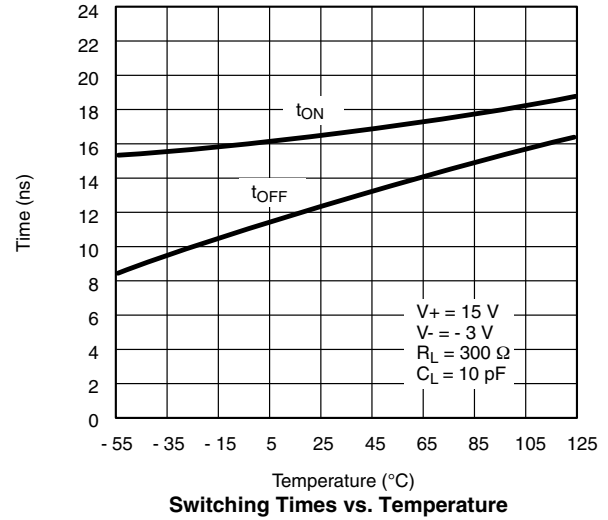
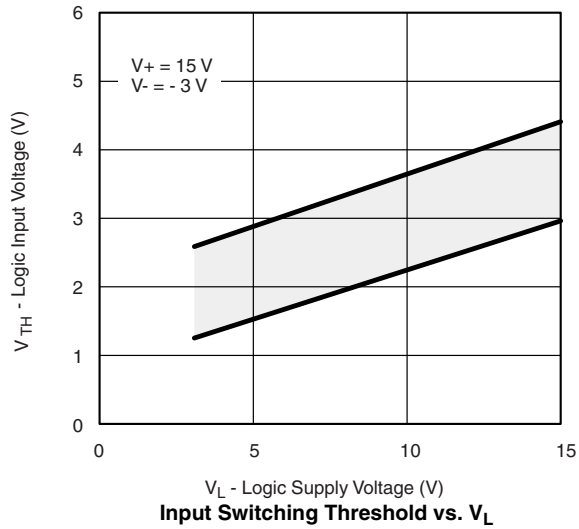


$R_{DS(on)}$ vs. V_D and Power Supply Voltages

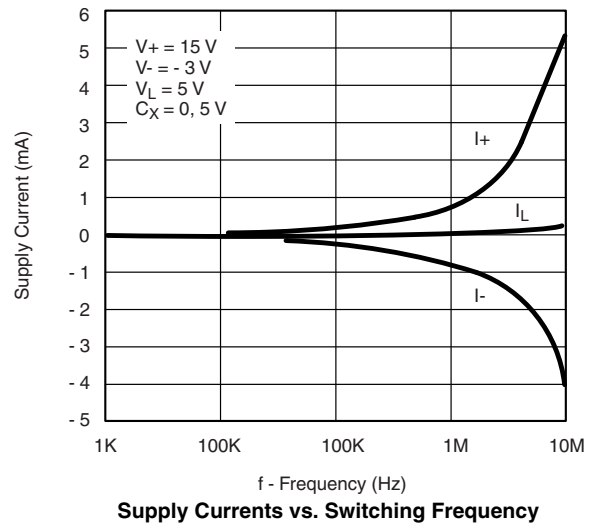
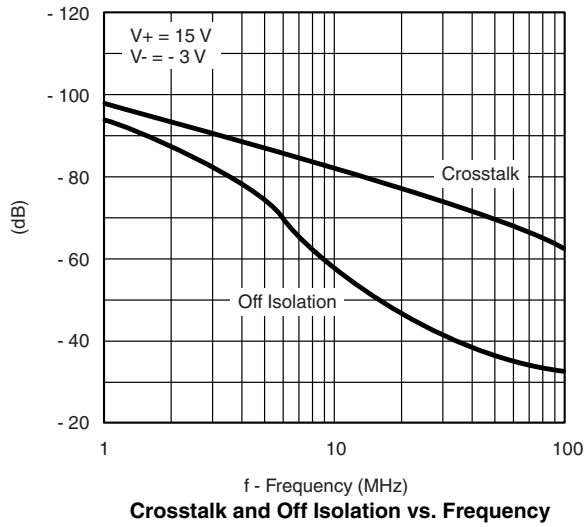


Leakage Current vs. Analog Voltage

TYPICAL CHARACTERISTICS (25 °C, unless otherwise noted)



TYPICAL CHARACTERISTICS (25 °C, unless otherwise noted)



SCHEMATIC DIAGRAM (Typical Channel)

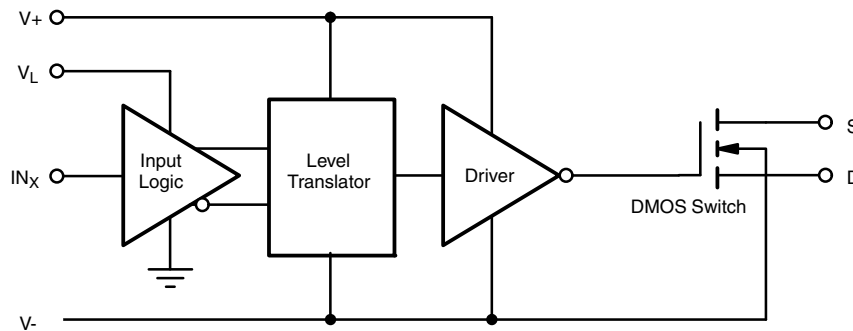


Figure 1.

TEST CIRCUITS

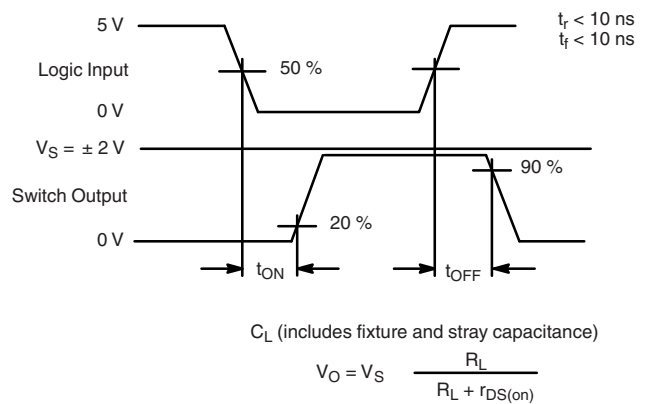
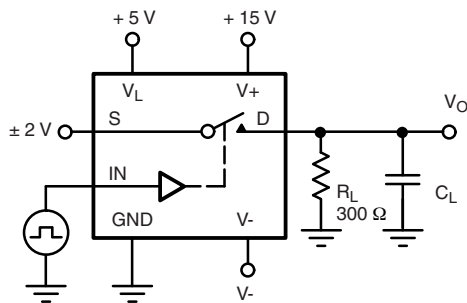


Figure 2. Switching Time

TEST CIRCUITS

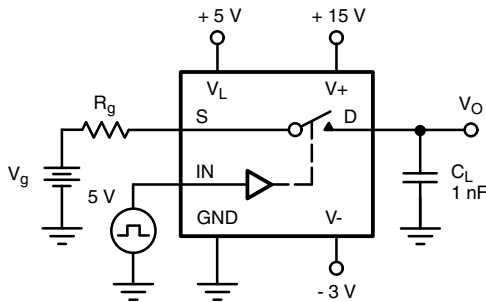


Figure 3. Charge Injection

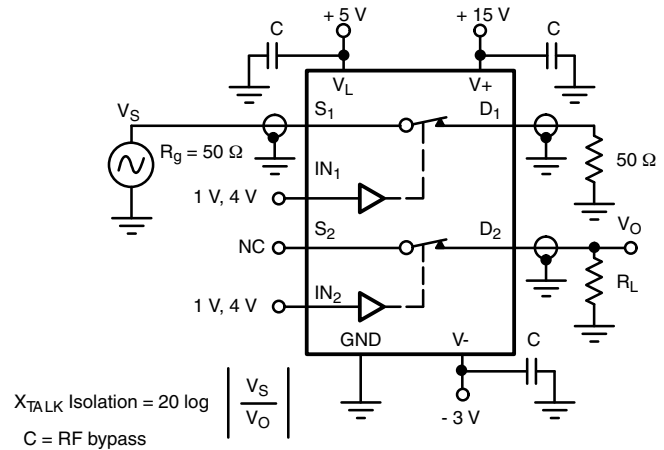


Figure 4. Crosstalk

APPLICATIONS

High-Speed Sample-and-Hold

In a fast sample-and-hold application, the analog switch characteristics are critical. A fast switch reduces aperture uncertainty. A low charge injection eliminates offset (step) errors. A low leakage reduces droop errors. The CLC111, a fast input buffer, helps to shorten acquisition and settling times. A low leakage, low dielectric absorption hold capacitor must be used. Polycarbonate, polystyrene and polypropylene are good choices. The JFET output buffer reduces droop due to its low input bias current. (see figure 5.)

Pixel-Rate Switch

Windows, picture-in-picture, title overlays are economically generated using a high-speed analog switch such as the DG613. For this application the two video sources must be sync locked. The glitch-less analog switch eliminates halos. (see figure 6.)

GaAs FET Drivers

Figure 7 illustrates a high-speed GaAs FET driver. To turn the GaAs FET on 0 V are applied to its gate via S₁, whereas to turn it off, - 8 V are applied via S₂. This high-speed, low-power driver is especially suited for applications that require a large number of RF switches, such as phased array radars.

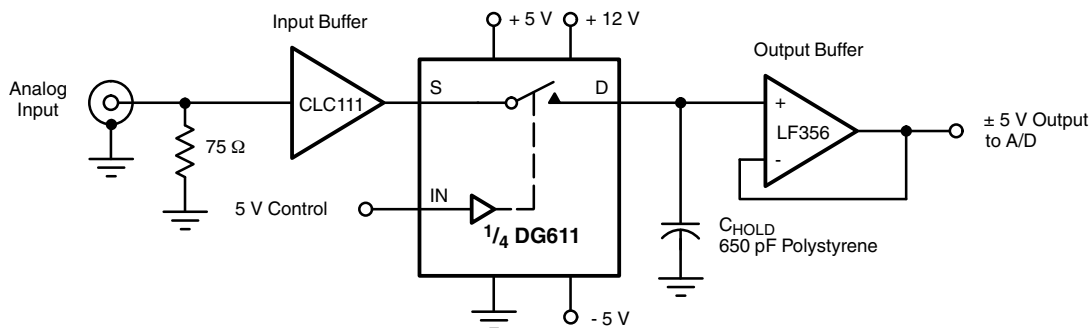


Figure 5. High-Speed Sample-and-Hold

APPLICATIONS

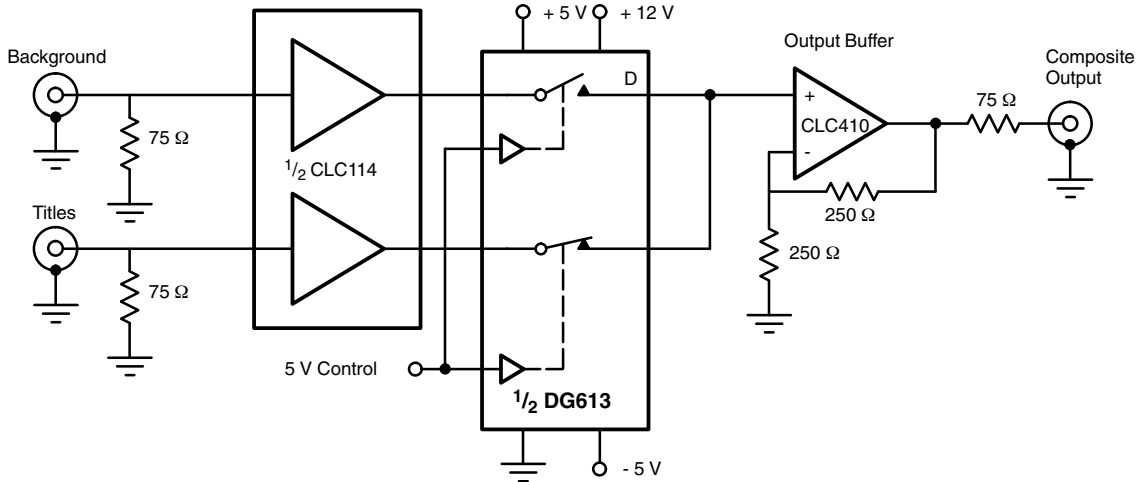


Figure 6. A Pixel-Rate Switch Creates Title Overlays

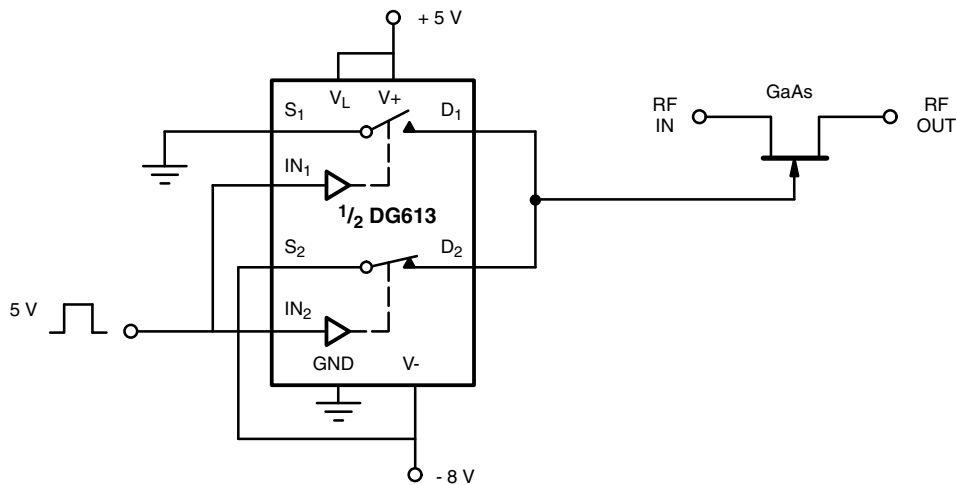


Figure 7. A High-Speed GaAs FET Driver that Saves Power

Vishay Siliconix maintains worldwide manufacturing capability. Products may be manufactured at one of several qualified locations. Reliability data for Silicon Technology and Package Reliability represent a composite of all qualified locations. For related documents such as package/tape drawings, part marking, and reliability data, see www.vishay.com/ppg?70057.



SOIC (NARROW): 16-LEAD
JEDEC Part Number: MS-012



Dim	MILLIMETERS		INCHES	
	Min	Max	Min	Max
A	1.35	1.75	0.053	0.069
A ₁	0.10	0.20	0.004	0.008
B	0.38	0.51	0.015	0.020
C	0.18	0.23	0.007	0.009
D	9.80	10.00	0.385	0.393
E	3.80	4.00	0.149	0.157
e	1.27 BSC		0.050 BSC	
H	5.80	6.20	0.228	0.244
L	0.50	0.93	0.020	0.037
∅	0°	8°	0°	8°

ECN: S-03946—Rev. F, 09-Jul-01
DWG: 5300



PDIP: 16-LEAD



Dim	MILLIMETERS		INCHES	
	Min	Max	Min	Max
A	3.81	5.08	0.150	0.200
A₁	0.38	1.27	0.015	0.050
B	0.38	0.51	0.015	0.020
B₁	0.89	1.65	0.035	0.065
C	0.20	0.30	0.008	0.012
D	18.93	21.33	0.745	0.840
E	7.62	8.26	0.300	0.325
E₁	5.59	7.11	0.220	0.280
e₁	2.29	2.79	0.090	0.110
e_A	7.37	7.87	0.290	0.310
L	2.79	3.81	0.110	0.150
Q₁	1.27	2.03	0.050	0.080
S	0.38	1.52	.015	0.060

ECN: S-03946—Rev. D, 09-Jul-01
DWG: 5482



CERDIP: 16-LEAD

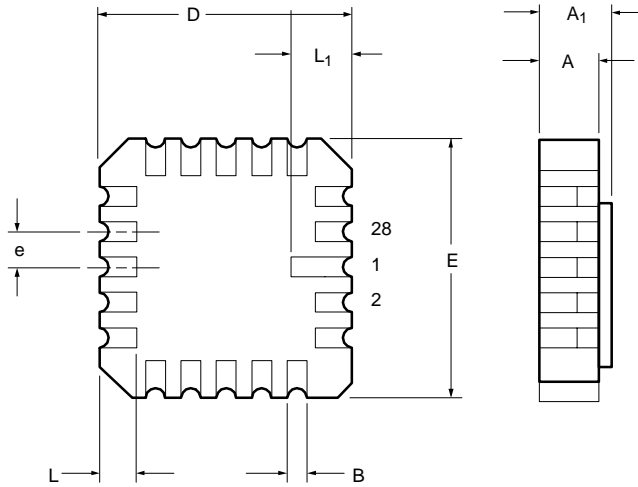


Dim	MILLIMETERS		INCHES	
	Min	Max	Min	Max
A	4.06	5.08	0.160	0.200
A ₁	0.51	1.14	0.020	0.045
B	0.38	0.51	0.015	0.020
B ₁	1.14	1.65	0.045	0.065
C	0.20	0.30	0.008	0.012
D	19.05	19.56	0.750	0.770
E	7.62	8.26	0.300	0.325
E ₁	6.60	7.62	0.260	0.300
e ₁	2.54 BSC		0.100 BSC	
e _A	7.62 BSC		0.300 BSC	
L	3.18	3.81	0.125	0.150
L ₁	3.81	5.08	0.150	0.200
Q ₁	1.27	2.16	0.050	0.085
S	0.38	1.14	0.015	0.045
∞	0°	15°	0°	15°

ECN: S-03946—Rev. G, 09-Jul-01
DWG: 5403



20-LEAD LCC



Dim	MILLIMETERS		INCHES	
	Min	Max	Min	Max
A	1.37	2.24	0.054	0.088
A₁	1.63	2.54	0.064	0.100
B	0.56	0.71	0.022	0.028
D	8.69	9.09	0.342	0.358
E	8.69	9.09	0.442	0.358
e	1.27 BSC		0.050 BSC	
L	1.14	1.40	0.045	0.055
L₁	1.96	2.36	0.077	0.093

ECN: S-03946—Rev. B, 09-Jul-01
DWG: 5321

RECOMMENDED MINIMUM PADS FOR SO-16



Recommended Minimum Pads
Dimensions in Inches/(mm)

[Return to Index](#)



Disclaimer

ALL PRODUCT, PRODUCT SPECIFICATIONS AND DATA ARE SUBJECT TO CHANGE WITHOUT NOTICE TO IMPROVE RELIABILITY, FUNCTION OR DESIGN OR OTHERWISE.

Vishay Intertechnology, Inc., its affiliates, agents, and employees, and all persons acting on its or their behalf (collectively, "Vishay"), disclaim any and all liability for any errors, inaccuracies or incompleteness contained in any datasheet or in any other disclosure relating to any product.

Vishay makes no warranty, representation or guarantee regarding the suitability of the products for any particular purpose or the continuing production of any product. To the maximum extent permitted by applicable law, Vishay disclaims (i) any and all liability arising out of the application or use of any product, (ii) any and all liability, including without limitation special, consequential or incidental damages, and (iii) any and all implied warranties, including warranties of fitness for particular purpose, non-infringement and merchantability.

Statements regarding the suitability of products for certain types of applications are based on Vishay's knowledge of typical requirements that are often placed on Vishay products in generic applications. Such statements are not binding statements about the suitability of products for a particular application. It is the customer's responsibility to validate that a particular product with the properties described in the product specification is suitable for use in a particular application. Parameters provided in datasheets and / or specifications may vary in different applications and performance may vary over time. All operating parameters, including typical parameters, must be validated for each customer application by the customer's technical experts. Product specifications do not expand or otherwise modify Vishay's terms and conditions of purchase, including but not limited to the warranty expressed therein.

Except as expressly indicated in writing, Vishay products are not designed for use in medical, life-saving, or life-sustaining applications or for any other application in which the failure of the Vishay product could result in personal injury or death. Customers using or selling Vishay products not expressly indicated for use in such applications do so at their own risk. Please contact authorized Vishay personnel to obtain written terms and conditions regarding products designed for such applications.

No license, express or implied, by estoppel or otherwise, to any intellectual property rights is granted by this document or by any conduct of Vishay. Product names and markings noted herein may be trademarks of their respective owners.