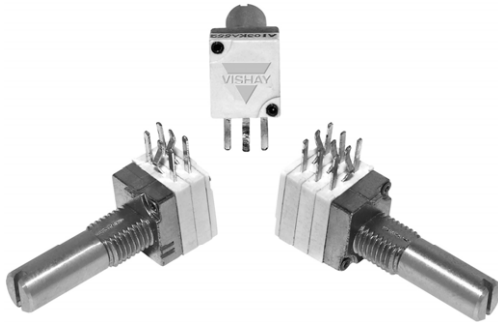


9 mm Multi-Ganged Potentiometer

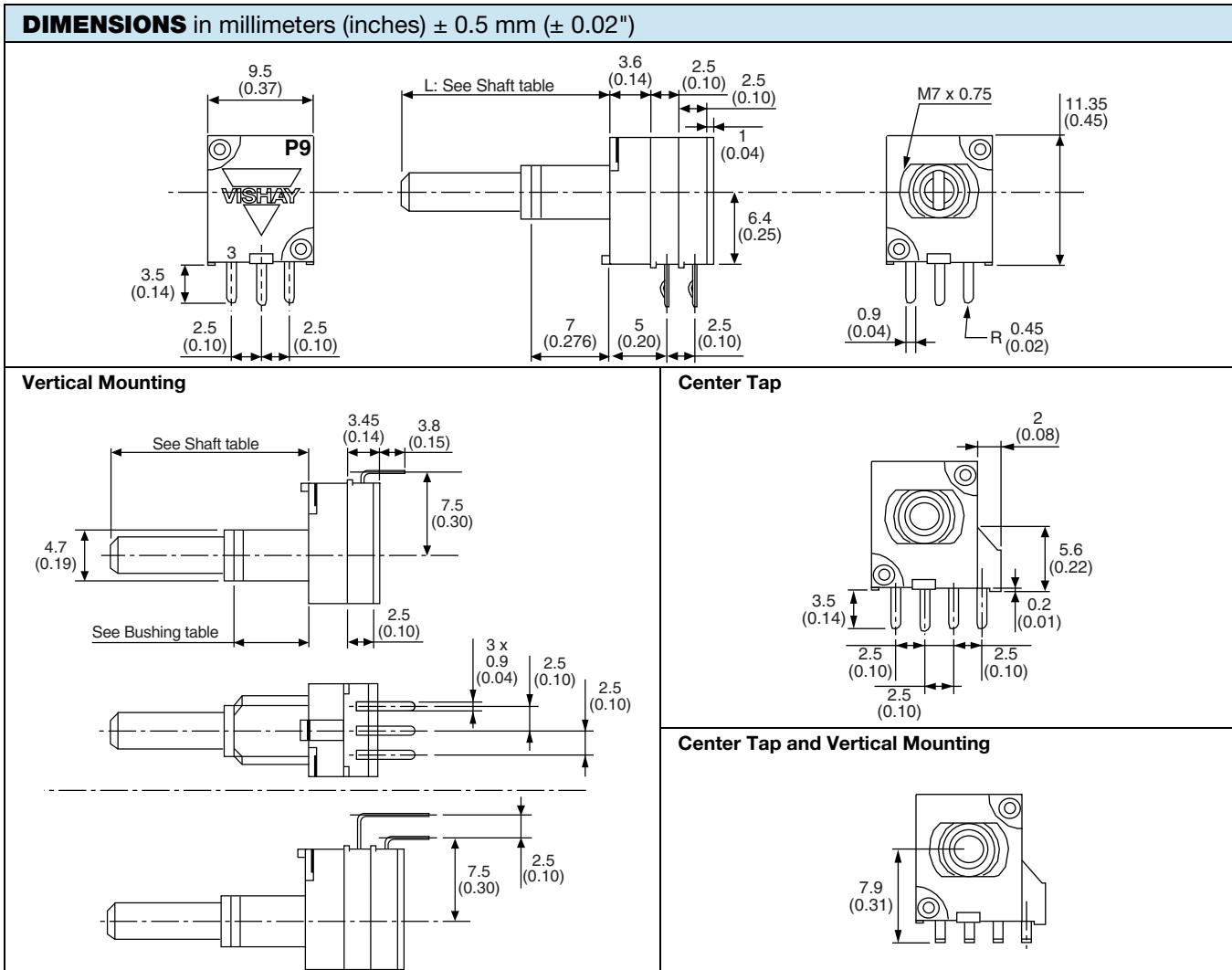


FEATURES

- Conductive plastic element
- Ultra compact (extra miniature module size)
- Multiple assemblies (up to seven modules)
- Shaft and panel sealed option
- Center mechanical detent fully integrated in option
- Center tap option
- Custom designs available on request
- Test according to CECC 41000 or IEC 60393-1
- Material categorization: for definitions of compliance please see www.vishay.com/doc?99912


RoHS
COMPLIANT

| QUICK REFERENCE DATA | |
|-------------------------|--|
| Multiple module | Up to 7 modules |
| Switch module | n/a |
| Detent module | Yes |
| Special electrical laws | A: linear, L: logarithmic, F: reverse logarithmic and others see specification |
| Sealing level | IP 64 |
| Lifespan | 25K cycles |



GENERAL SPECIFICATIONS

| ELECTRICAL SPECIFICATIONS | | |
|-----------------------------------|--|--|
| Resistive element | Conductive plastic | |
| Electrical travel | 270° ± 10° | |
| Power rating chart | | |
| Circuit diagram | | |
| Taper | | |
| Resistance range | Linear taper Non-linear taper | 1 kΩ to 1 MΩ 2.2 kΩ to 500 kΩ |
| Tolerance | Standard On request | 20 % 10 % |
| Power rating at 70 °C | Linear Taper Non-Linear Taper Multiple assemblies linear taper Multiple assemblies non-linear taper | 0.1 W 0.05 W 0.05 W per module 0.025 W per module |
| Temperature coefficient (typical) | ± 500 ppm | |
| Limiting element voltage | 10 V _{DC} 50 V _{AC} | |
| End resistance (typical) | 3 Ω | |
| Contact resistance variation | Linear law (typical) | 2 % of nominal resistance |
| Independent linearity | Linear law (typical) | ± 5 % |
| Insulation resistance | 100 MΩ at 250 V _{DC} | |
| Dielectric strength | 300 V _{AC} during 1 min | |
| Attenuation (typical) | 90 dB max./0.05 dB min. | |



| MECHANICAL SPECIFICATIONS | |
|---------------------------|--|
| Mechanical travel | 25 000 cycles min. |
| Mechanical travel | 300° ± 5 |
| Operating torque | 0.2 Ncm to 1.5 Ncm (0.3 oz.-inch to 1.8 oz.-inch) |
| End stop torque | 50 Ncm max. (4.4 lb-inch max.) |
| Shaft push/pull force | 7 DaNcm max. (15.7 lbf max.) |
| Weight (one module) | 6.25 g (without nut and washer) (0.22 oz.) |

Note

- Nothing stated herein shall be construed as a guarantee of quality or durability

| ENVIRONMENTAL SPECIFICATIONS | |
|------------------------------|-------------------|
| Temperature range | -55 °C to +100 °C |
| Climatic category | 55/100/21 |
| Sealing | IP 64 |

| MARKING |
|---|
| <ul style="list-style-type: none"> Code for tolerance Code for ohmic value Taper Code for date code |

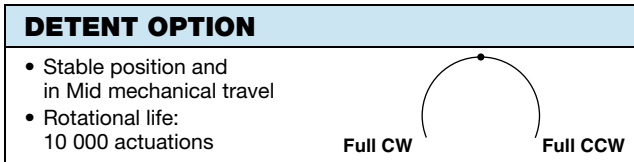
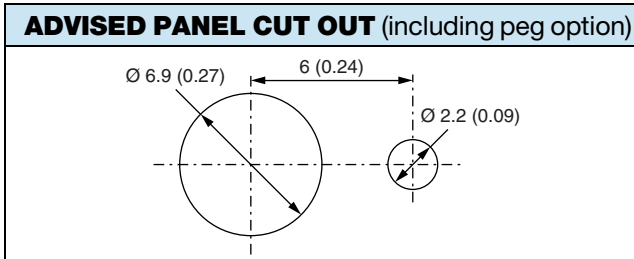
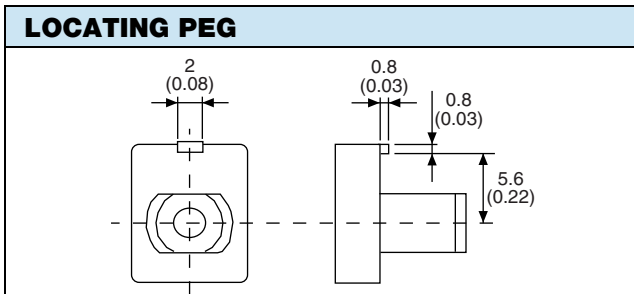
| PACKAGING |
|---|
| <ul style="list-style-type: none"> Box of 25 pieces Box of 100 pieces |

| PERFORMANCE | | | | |
|-------------------------|---|--------------------------|------------------------------|--|
| TESTS | CONDITIONS | TYPICAL VALUE AND DRIFTS | | |
| | | $\Delta R_T/R_T$ (%) | $\Delta R_{1-2}/R_{1-2}$ (%) | OTHER |
| Electrical endurance | 1000 h at rated power 90'/30' - ambient temp. 70 °C | ± 5 % | ± 10 % | Contact resistance variation < 5 % R _n |
| Damp heat, steady state | 21 days at 40 °C ± 2 °C and 90 % to 95 % relative humidity | ± 5 % | - | Insulation resistance > 10 MΩ |
| Change of temperature | Ambient temperature -55 °C to +100 °C 5 cycles | ± 0.5 % | - | - |
| Mechanical endurance | 25 000 cycles at rated power 90 % of electrical travel 16 cycles per minute Temperature: 20 °C | ± 6 % | - | Contact resistance variation ± 12 % |
| Shock | 50 g's, 11 ms 3 shocks - 3 directions | ± 0.2 % | ± 0.5 % | - |
| Vibration | 10 Hz to 55 Hz 0.75 mm or 10 g's 6 h | ± 0.2 % | - | $\Delta V_{1-2}/V_{1-3}$ ± 0.5 % |

| ORDERING INFORMATION (Part Number) | | | | | | | | | | | | | | | | | |
|------------------------------------|-------------------|--|--------------|--------------|---------------|-------|-----------|---|--------------------------------------|---|---|---|---|---|---|---|---|
| P | 9 | A | 1 | R | 1 | 0 | 0 | F | I | R | X | 1 | 1 | 0 | 3 | M | A |
| MODEL | NUMBER OF MODULES | BUSHING | LOCATING PEG | PANEL SEALED | DETENT OPTION | SHAFT | PIN STYLE | | RESISTANCE CODE/TOLERANCE CODE/TAPER | | | | | | | | |
| P9A | 1 to 7 | R = M7 x 0.75 mm to 7 mm X = M7 x 0.75 mm to 5 mm | | | | | | | | | | | | | | | |

| BUSHING | |
|---|--------------------------------------|
| X: Bushing | R: Bushing |
| <p>M7 x 0.75</p> <p>5 (0.20)</p> | <p>M7 x 0.75</p> <p>7 (0.28)</p> |
| <ul style="list-style-type: none"> • Nut tightening torque M7 bushing 120 Ncm max. (10.6 lb-inch max.) • Nut and washer are delivered in standard packaging | |
| <p>10</p> <p>M7 x 0.75</p> <p>2</p> <p>0.7</p> | |

| ORDERING INFORMATION (Part Number) | | | | | | | | | | | | | | | | | |
|------------------------------------|-------------------|---------|-------------------------|-------------------------|----------------------------------|----------------|-----------|---|---|---|--------------------------------------|---|---|---|---|---|---|
| P | 9 | A | 1 | R | 1 | 0 | 0 | F | I | R | X | 1 | 1 | 0 | 3 | M | A |
| MODEL | NUMBER OF MODULES | BUSHING | LOCATING PEG | PANEL SEALED | DETENT OPTION | SHAFT | PIN STYLE | | | | RESISTANCE CODE/TOLERANCE CODE/TAPER | | | | | | |
| | | | 0 = without 1 = with | 0 = without P = with | 0 = without M = center detent | See code below | | | | | | | | | | | |



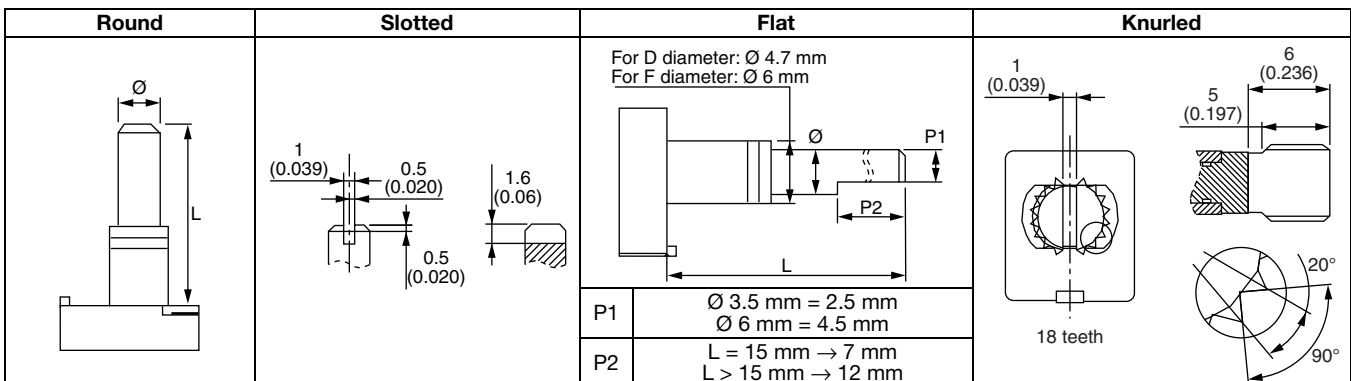
PANEL SEALED

- Only for R and X bushing without locating peg
- Front mounting surface with panel sealed option is: 6.2 mm ± 0.5 mm length for R bushing and 4.2 mm ± 0.5 mm length for X bushing
- The ring is delivered with nut and washer
- The seal should be placed between panel and body. Sealing is obtained by tightening the seal against the panel when mounting the potentiometer. Tightening torque 50 Ncm up to 100 Ncm
- Advised panel hole dimensions:

SHAFT DIAMETER - FMS - STYLE

| L (mm) | 15 | | | | 20 | | | 25 | | | 30 | | |
|--------|-------|---------|------|--------------------|-------|---------|------|-------|---------|------|-------|---------|------|
| Style | Round | Slotted | Flat | Knurled | Round | Slotted | Flat | Round | Slotted | Flat | Round | Slotted | Flat |
| Ø 3.5 | DFR | DFS | DFF | - | DIR | DIS | DIF | DLR | DLS | DLF | DMR | DMS | DMF |
| Ø 6 | FFR | FFS | FFF | FGK ⁽¹⁾ | FIR | FIS | FIF | FLR | FLS | FLF | FMR | FMS | FMF |

Note
(1) For X bushing (16 mm)



| ORDERING INFORMATION (Part Number) | | | | | | | | | | | | | | | | | |
|------------------------------------|-------------------|---------|--------------|--------------|---------------|-------|--|---|---|---|--------------------------------------|---|---|---|---|---|---|
| P | 9 | A | 1 | R | 1 | 0 | 0 | F | I | R | X | 1 | 1 | 0 | 3 | M | A |
| MODEL | NUMBER OF MODULES | BUSHING | LOCATING PEG | PANEL SEALED | DETENT OPTION | SHAFT | PIN STYLE | | | | RESISTANCE CODE/TOLERANCE CODE/TAPER | | | | | | |
| | | | | | | | See Pin table First digit: pin type X, J, S, Z, P, L W or N Second digit: pin configuration 1, 2, 3, 4 or N | | | | | | | | | | |

| PIN STYLE - HORIZONTAL MOUNTING | | | |
|---------------------------------|---|-------------------|--|
| PIN TYPE | | | |
| X | PC mount | | |
| J | PC mount center tap | | |
| S | Soldering style | | |
| Z | Center tap soldering style | | |
| L | Long pin | | |
| P | Center tap with long pin | | |
| NN | If different types of pin style in the same potentiometer | | |
| PIN CONFIGURATION | | | |
| 1 | 2 | 3 | |
| | | | |
| | | | |
| 2.5 mm between gang | 2.5 mm - 5 mm - 2.5 mm between gang | 5 mm between gang | |

| ORDERING INFORMATION (Part Number) | | | | | | | | | | | | | | | | | |
|------------------------------------|-------------------|---------|--------------|--------------|---------------|-------|--|---|--------------------------------------|---|---|---|---|---|---|---|---|
| P | 9 | A | 1 | R | 1 | 0 | 0 | F | I | R | X | 1 | 1 | 0 | 3 | M | A |
| MODEL | NUMBER OF MODULES | BUSHING | LOCATING PEG | PANEL SEALED | DETENT OPTION | SHAFT | PIN STYLE | | RESISTANCE CODE/TOLERANCE CODE/TAPER | | | | | | | | |
| | | | | | | | See Pin table First digit: pin type X, J, S, Z, P, L W or N Second digit: pin configuration 1, 2, 3, 4 or N | | | | | | | | | | |

| PIN STYLE - VERTICAL MOUNTING | | | |
|-------------------------------|---|--|--|
| W1 | Single gang vertical mounting | | |
| W2 | Dual gang vertical mounting | | |
| W3 | Single gang with center tap vertical mounting | | |
| W4 | Dual gang with center tap vertical mounting | | |



| ORDERING INFORMATION (part number) | | | | | | | | | | | | | | | | | |
|------------------------------------|-------------------|---------|--------------|--------------|---------------|-------|-----------|---|---|---|--|---|---|---|---|---|---|
| P | 9 | A | 1 | R | 1 | 0 | 0 | F | I | R | X | 1 | 1 | 0 | 3 | M | A |
| MODEL | NUMBER OF MODULES | BUSHING | LOCATING PEG | PANEL SEALED | DETENT OPTION | SHAFT | PIN STYLE | | | | RESISTANCE CODE/TOLERANCE CODE/TAPER | | | | | | |
| | | | | | | | | | | | Resistance code: 102 = 1 kΩ to 105 = 1 MΩ Tolerance code: standard: M = ± 20 % on request: K = ± 10 % taper: A, L, W, F, S, R or special code given by Vishay | | | | | | |

| SPECIAL CODES GIVEN BY VISHAY |
|--|
| <ul style="list-style-type: none"> • Custom shaft • Design on request • Specific linearity • Specific interlinearity • Specific variation law |

| PART NUMBER DESCRIPTION (for information only) | | | | | | | | | | | | | | | |
|--|---------|---------|--------------|-----------------|----------------|-------|-------|-------|-------|------|-------|---------|---------|----------------|----|
| P9A | 1 | R | 1 | 0 | 0 | FI | R | X1 | 10K | 20 % | A | | | | e3 |
| MODEL | MODULES | BUSHING | LOCATING PEG | SEALING OPTIONS | DETENT OPTIONS | SHAFT | SHAFT | LEADS | VALUE | TOL. | TAPER | SPECIAL | SPECIAL | LEAD (Pb)-FREE | |

| RELATED DOCUMENTS | |
|---|--|
| APPLICATION NOTES | |
| Potentiometers and Trimmers | www.vishay.com/doc?51001 |
| Guidelines for Vishay Sfernice Resistive and Inductive Components | www.vishay.com/doc?52029 |



Disclaimer

ALL PRODUCT, PRODUCT SPECIFICATIONS AND DATA ARE SUBJECT TO CHANGE WITHOUT NOTICE TO IMPROVE RELIABILITY, FUNCTION OR DESIGN OR OTHERWISE.

Vishay Intertechnology, Inc., its affiliates, agents, and employees, and all persons acting on its or their behalf (collectively, "Vishay"), disclaim any and all liability for any errors, inaccuracies or incompleteness contained in any datasheet or in any other disclosure relating to any product.

Vishay makes no warranty, representation or guarantee regarding the suitability of the products for any particular purpose or the continuing production of any product. To the maximum extent permitted by applicable law, Vishay disclaims (i) any and all liability arising out of the application or use of any product, (ii) any and all liability, including without limitation special, consequential or incidental damages, and (iii) any and all implied warranties, including warranties of fitness for particular purpose, non-infringement and merchantability.

Statements regarding the suitability of products for certain types of applications are based on Vishay's knowledge of typical requirements that are often placed on Vishay products in generic applications. Such statements are not binding statements about the suitability of products for a particular application. It is the customer's responsibility to validate that a particular product with the properties described in the product specification is suitable for use in a particular application. Parameters provided in datasheets and / or specifications may vary in different applications and performance may vary over time. All operating parameters, including typical parameters, must be validated for each customer application by the customer's technical experts. Product specifications do not expand or otherwise modify Vishay's terms and conditions of purchase, including but not limited to the warranty expressed therein.

Except as expressly indicated in writing, Vishay products are not designed for use in medical, life-saving, or life-sustaining applications or for any other application in which the failure of the Vishay product could result in personal injury or death. Customers using or selling Vishay products not expressly indicated for use in such applications do so at their own risk. Please contact authorized Vishay personnel to obtain written terms and conditions regarding products designed for such applications.

No license, express or implied, by estoppel or otherwise, to any intellectual property rights is granted by this document or by any conduct of Vishay. Product names and markings noted herein may be trademarks of their respective owners.