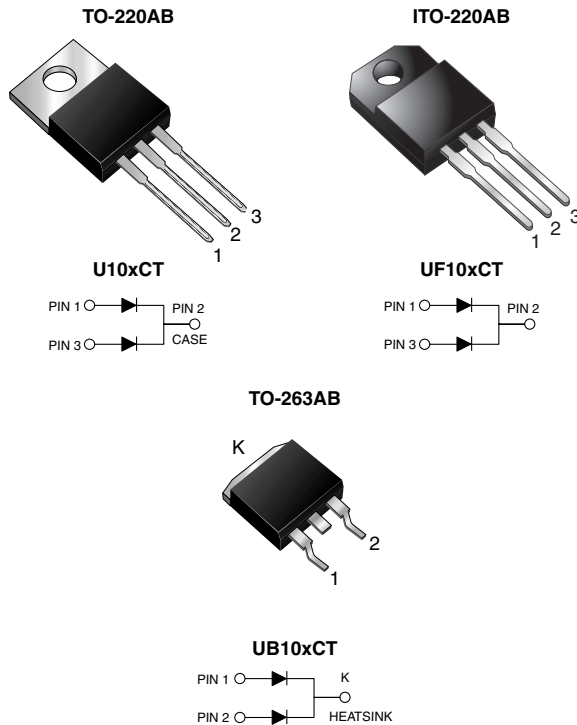


Dual Common Cathode Ultrafast Rectifier



FEATURES

- Power pack
- Oxide planar chip junction
- Ultrafast recovery time
- Soft recovery characteristics
- Low switching losses, high efficiency
- High forward surge capability
- High frequency operation
- Meets MSL level 1, per J-STD-020, LF max. peak of 245 °C (for TO-263AB package)
- Solder dip 275 °C max. 10 s, per JESD 22-B106 (for TO-220AB and ITO-220AB package)
- Material categorization: For definitions of compliance please see www.vishay.com/doc?99912



RoHS
COMPLIANT

TYPICAL APPLICATIONS

For use in low voltage, high frequency rectifier of switching power supplies, freewheeling diodes, DC/DC converters or polarity protection application.

MECHANICAL DATA

Case: TO-220AB, ITO-220AB and TO-263AB

Molding compound meets UL 94 V-0 flammability rating Base P/N-E3 - RoHS-compliant, and commercial grade

Terminals: Matte tin plated leads, solderable per J-STD-002 and JESD 22-B102

E3 suffix for consumer grade, meets JESD 201 class 1A whisker test

Polarity: As marked

Mounting Torque: 10 in-lbs max.

PRIMARY CHARACTERISTICS	
$I_{F(AV)}$	2 x 5.0 A
V_{RRM}	100 V to 200 V
I_{FSM}	55 A
t_{rr}	25 ns
V_F	0.89 V
T_J max.	150 °C
Package	TO-220AB, ITO-220AB, TO-263AB
Diode variations	Dual Common Cathode

MAXIMUM RATINGS ($T_C = 25\text{ °C}$ unless otherwise noted)					
PARAMETER	SYMBOL	U(F,B)10BCT	U(F,B)10CCT	U(F,B)10DCT	UNIT
Max. repetitive peak reverse voltage	V_{RRM}	100	150	200	V
Max. average forward rectified current (Fig. 1)	$I_{F(AV)}$	total device		10	A
		per diode		5.0	
Peak forward surge current 8.3 ms single half sine-wave superimposed on rated load per diode	I_{FSM}	55		A	
Electrostatic discharge capacitor voltage, human body model: C = 150 pF, R = 1.5 kΩ (contact mode)	V_C	8		kV	
Isolation voltage (ITO-220AB only) from terminal to heatsink t = 1 min per diode	V_{AC}	1500		V	
Operating junction and storage temperature range	T_J, T_{STG}	-55 to +150		°C	



ELECTRICAL CHARACTERISTICS (T _C = 25 °C unless otherwise noted)						
PARAMETER	TEST CONDITIONS		SYMBOL	TYP.	MAX.	UNIT
Max. instantaneous forward voltage per diode ⁽¹⁾	I _F = 3.0 A	T _J = 25 °C	V _F	0.97	-	V
	I _F = 5.0 A			1.05	1.10	
	I _F = 3.0 A	T _J = 150 °C		0.79	-	
	I _F = 5.0 A			0.89	0.95	
Max. reverse current per diode ⁽²⁾	rated V _R	T _J = 25 °C	I _R	0.5	5.0	μA
		T _J = 100 °C	100	200		
Max. reverse recovery time per diode	I _F = 0.5 A, I _R = 1.0 A, I _{rr} = 0.25 A		t _{rr}	13	20	ns
	I _F = 1.0 A, di/dt = 100 A/μs, V _R = 30 V, I _{rr} = 0.1 IRM			19.7	25	
Max. stored charge per diode	I _F = 2 A, di/dt = 20 A/μs, V _R = 30 V, I _{rr} = 0.1 IRM		Q _{rr}	3	9	nC

Notes

- (1) Pulse test: 300 μs pulse width, 1 % duty cycle
- (2) Pulse test: Pulse width ≤ 40 ms

THERMAL CHARACTERISTICS (T _C = 25 °C unless otherwise noted)					
PARAMETER	SYMBOL	U10XCT	UF10XCT	UB10XCT	UNIT
Typical thermal resistance per diode	R _{θJA}	25	25	25	°C/W
	R _{θJC}	5.3	7.5	5.3	

ORDERING INFORMATION (Example)					
PACKAGE	PREFERRED P/N	UNIT WEIGHT (g)	PACKAGE CODE	BASE QUANTITY	DELIVERY MODE
TO-220AB	U10DCT-E3/4W	1.87	4W	50/tube	Tube
ITO-220AB	UF10DCT-E3/4W	1.77	4W	50/tube	Tube
TO-263AB	UB10DCT-E3/4W	1.31	4W	50/tube	Tube
TO-263AB	UB10DCT-E3/8W	1.31	8W	800/reel	Tape and reel

RATINGS AND CHARACTERISTICS CURVES (T_A = 25 °C unless otherwise noted)

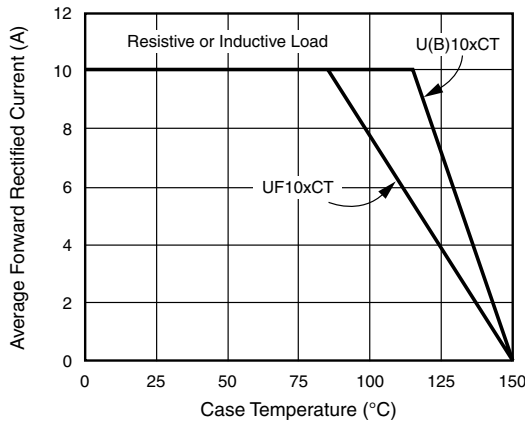


Fig. 1 - Max. Forward Current Derating Curve

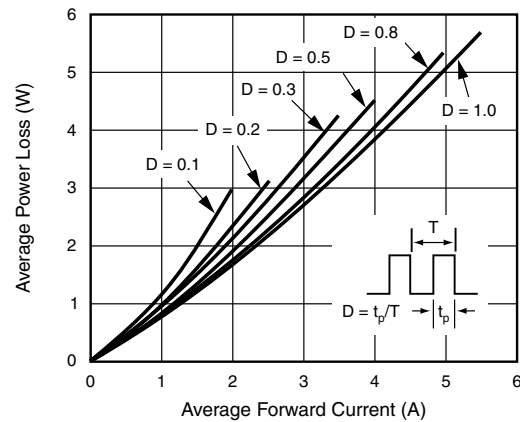


Fig. 2 - Forward Power Loss Characteristics Per Diode

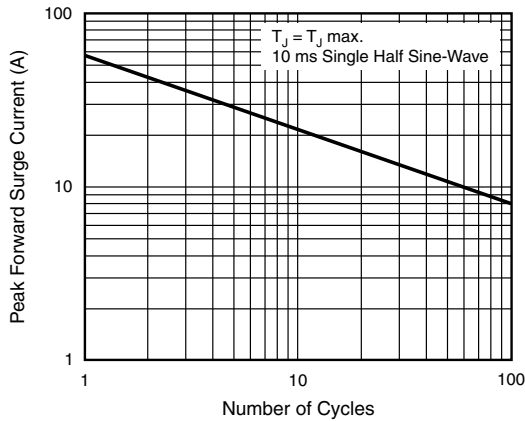


Fig. 3 - Max. Non-Repetitive Peak Forward Surge Current Per Diode

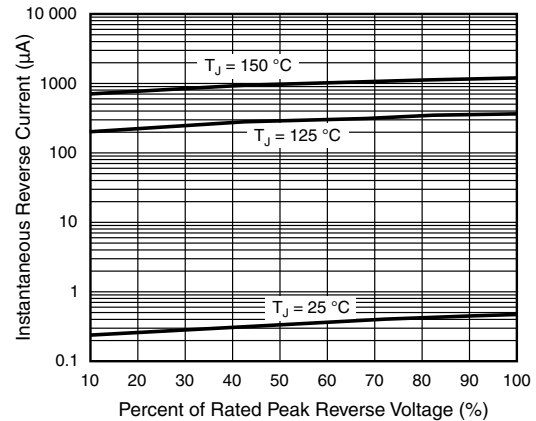


Fig. 5 - Typical Reverse Characteristics Per Diode

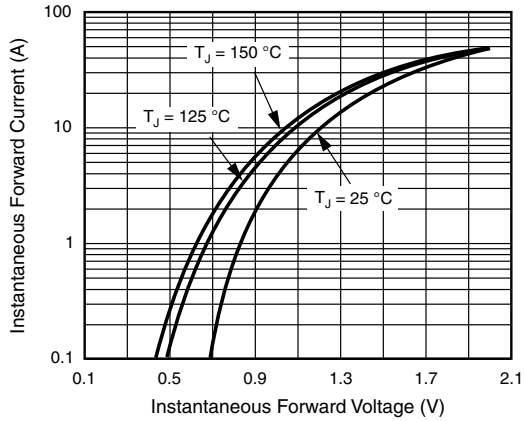


Fig. 4 - Typical Instantaneous Forward Characteristics Per Diode

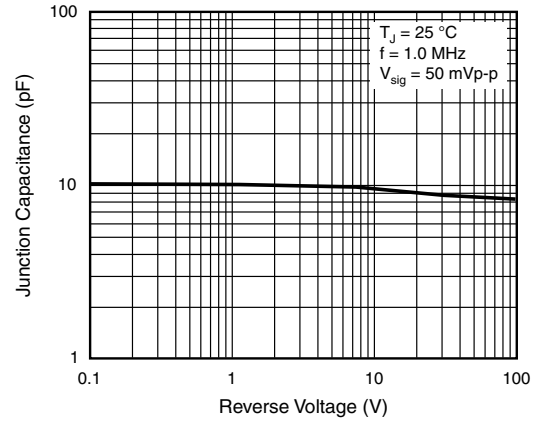
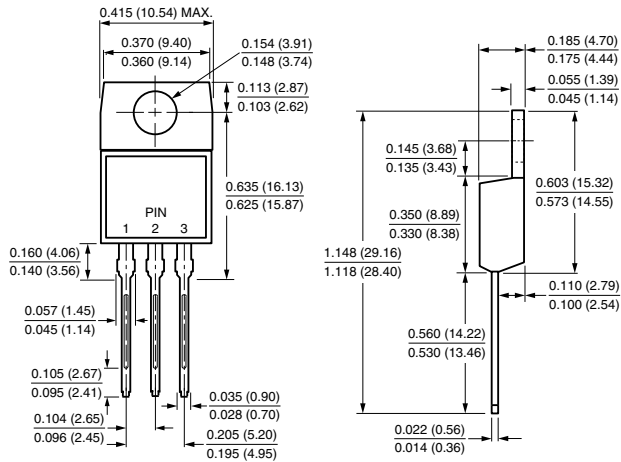


Fig. 6 - Typical Junction Capacitance Per Diode

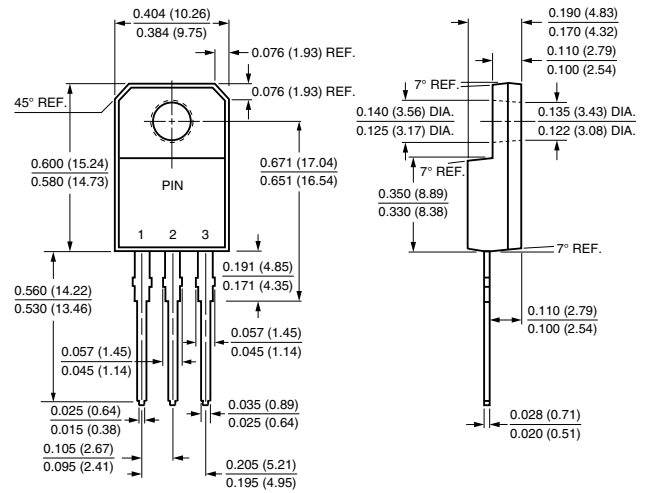


PACKAGE OUTLINE DIMENSIONS in inches (millimeters)

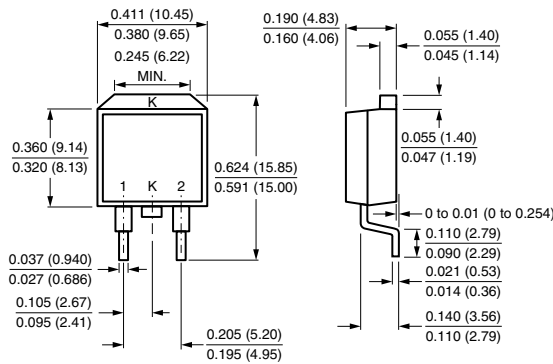
TO-220AB



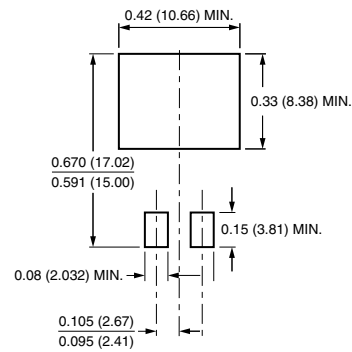
ITO-220AB



TO-263AB



Mounting Pad Layout





Disclaimer

ALL PRODUCT, PRODUCT SPECIFICATIONS AND DATA ARE SUBJECT TO CHANGE WITHOUT NOTICE TO IMPROVE RELIABILITY, FUNCTION OR DESIGN OR OTHERWISE.

Vishay Intertechnology, Inc., its affiliates, agents, and employees, and all persons acting on its or their behalf (collectively, "Vishay"), disclaim any and all liability for any errors, inaccuracies or incompleteness contained in any datasheet or in any other disclosure relating to any product.

Vishay makes no warranty, representation or guarantee regarding the suitability of the products for any particular purpose or the continuing production of any product. To the maximum extent permitted by applicable law, Vishay disclaims (i) any and all liability arising out of the application or use of any product, (ii) any and all liability, including without limitation special, consequential or incidental damages, and (iii) any and all implied warranties, including warranties of fitness for particular purpose, non-infringement and merchantability.

Statements regarding the suitability of products for certain types of applications are based on Vishay's knowledge of typical requirements that are often placed on Vishay products in generic applications. Such statements are not binding statements about the suitability of products for a particular application. It is the customer's responsibility to validate that a particular product with the properties described in the product specification is suitable for use in a particular application. Parameters provided in datasheets and / or specifications may vary in different applications and performance may vary over time. All operating parameters, including typical parameters, must be validated for each customer application by the customer's technical experts. Product specifications do not expand or otherwise modify Vishay's terms and conditions of purchase, including but not limited to the warranty expressed therein.

Except as expressly indicated in writing, Vishay products are not designed for use in medical, life-saving, or life-sustaining applications or for any other application in which the failure of the Vishay product could result in personal injury or death. Customers using or selling Vishay products not expressly indicated for use in such applications do so at their own risk. Please contact authorized Vishay personnel to obtain written terms and conditions regarding products designed for such applications.

No license, express or implied, by estoppel or otherwise, to any intellectual property rights is granted by this document or by any conduct of Vishay. Product names and markings noted herein may be trademarks of their respective owners.