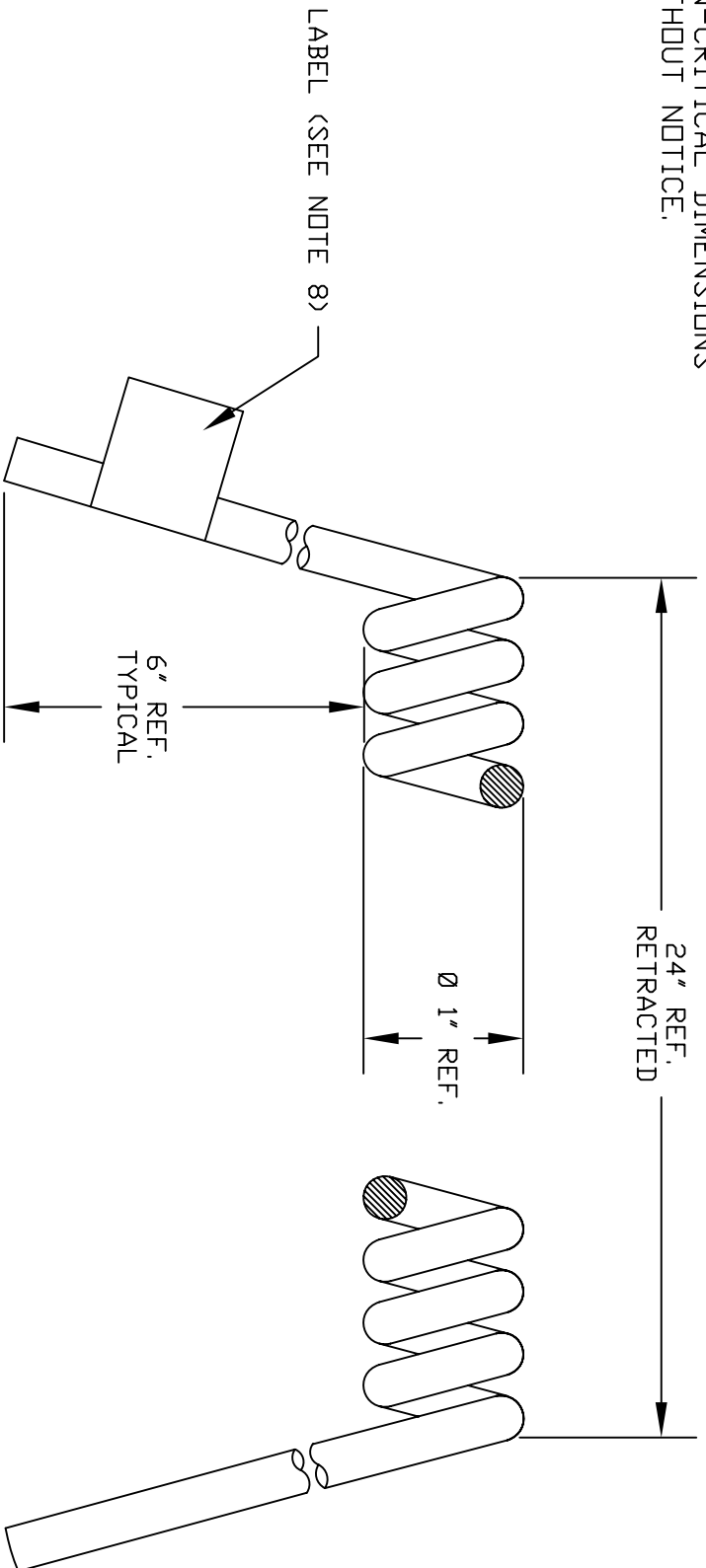


VOLEX RESERVES THE RIGHT TO ALTER NON-CRITICAL DIMENSIONS WITHOUT NOTICE.



NOTES

- 1) CORDAGE: 18/3 SVD, 60°C, BLACK OUTER JACKET
- 2) INSULATED CONDUCTOR INSULATION COLORS WILL BE BLACK, WHITE AND GREEN.
- 3) APPROVALS: UL/CSA
- 4) FLAME RATING: FT2
- 5) CORDAGE O.D.: .275" REF.
- 6) 50 PCS/CARTON
- 7) ALL DIMENSIONS IN INCHES UNLESS OTHERWISE NOTED.
- 8) CORD SET LABEL WILL HAVE VOLEX LOGO AND PART NUMBER.

REV	DESCRIPTION	DATE
3	CHANGE CARTON QTY (WAS 65)	9/6/07
2	ADDED CORD LABEL	8/16/07
1	C.U.D - FIRST ISSUE	8/9/07



CUD

- Indianapolis, IN
- Conover, N.C.
- Freemont, CA
- Aguascalientes, MX
- Tijuana, Mexico
- Hermosillo, MX
- Clinton, AR
- Kanata, Canada

Proprietary Notice:

This document is the property of Volex Incorporated. The information contained herein is not to be disclosed to anyone without the express written consent of Volex Inc.

MATERIAL:
 JACKET: RUBBER
 COLDER: BLACK
FINISH:
 JACKET: SMOOTH

SCALE: NDT TO SCALE
ECD: N/A
TOLERANCE UNLESS OTHERWISE SPECIFIED:
 .XXX ± .005
 .XX ± .02
 .X ± .03
 FRACT. ± 1/32
 ANGULAR ± 1/2°

ITEM DESCRIPTION: CORDSET - NORTH AMERICAN RETRACTILE (2)
APPROVED: STC
DRAWN BY: STC
DATE: 8/9/07
PART NO.: 6478