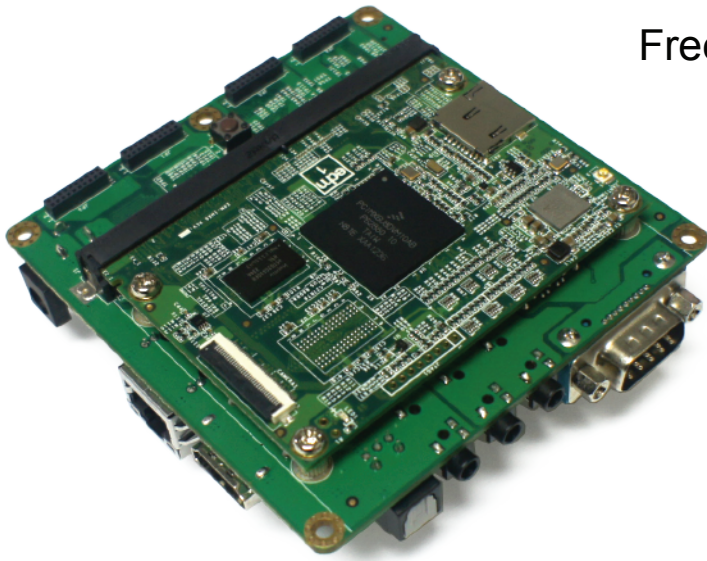
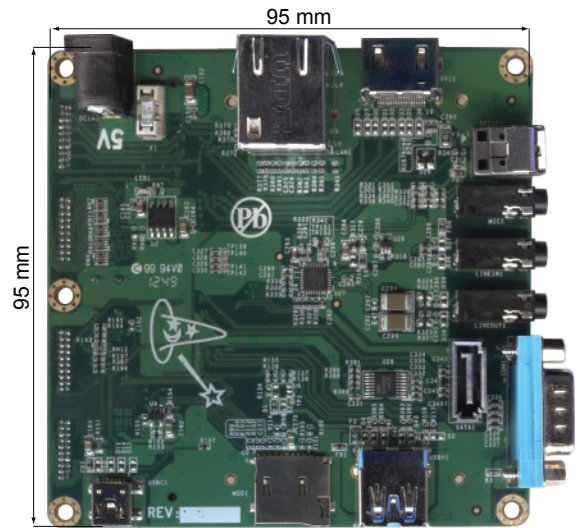


WANDBOARD.ORG



Freescale i.MX6 Cortex-A9
Low cost open source community
Development Board

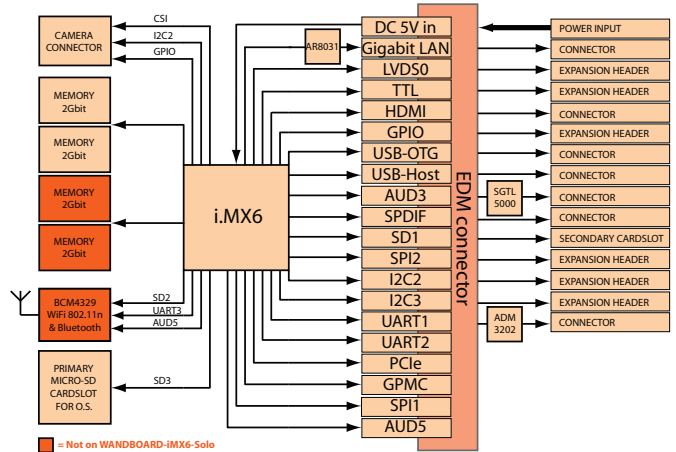
Dimensional drawing



Specifications

	Wandboard Solo	Wandboard Dual	Wandboard Quad
Processor	i.MX6 Solo	i.MX6 DualLite	i.MX6 Quad
Cores	ARM Cortex-A9 Single core @ 1GHz	ARM Cortex-A9 Dual core @ 1GHz	ARM Cortex-A9 Quad core @ 1GHz
Memory	512 MB DDR3	1 GB DDR3	2 GB DDR3
Audio	✓	✓	✓
Optical S/PDIF	✓	✓	✓
HDMI	✓	✓	✓
Camera interface	✓	✓	✓
micro SD cardslot	2	2	2
Serial port	✓	✓	✓
Expansion Header	✓	✓	✓
USB	✓	✓	✓
USB OTG	✓	✓	✓
SATA connector	X	X	✓
Gigabit LAN	✓	✓	✓
WIFI (802.11n)	X	✓	✓
Bluetooth	X	✓	✓

Block diagram



Order information

- | | |
|--------------|--------------------------|
| wbsolo | Wandboard i.MX6 Solo |
| wbdual | Wandboard i.MX6 DualLite |
| wbquad | Wandboard i.MX6 Quad |
| wbenclosure | Wandboard enclosure |
| wbantennakit | Wandboard antenna kit |



Complete Schematics, Source Code and Documentation can be found on www.wandboard.org