

DATA SHEET

WIRELESS COMPONENTS
Ceramic Patch Antenna
ANT1818B00DT1516A
GPS & GLONASS
PIN 18 × 18 × 4 mm



FEATURES

- Support GPS & GLONASS system
- High radiation efficiency
- Pin-solder process
- RoHS compliant

APPLICATIONS

- Navigation device
- Telematics box
- Fleet management

ORDERING INFORMATION

All part numbers are identified by the series, packing type, material, size, antenna type, working frequency and packing quantity.

PART NUMBER (PREFERRED)

ANT 1818 B 00D T 1516A
 (1) (2) (3) (4) (5) (6)

(1) PRODUCT

ANT = Antenna

(2) SIZE

1818= 18 x 18 mm

(3) ANTENNA TYPE

B = Bulk Antenna

(4) SERIAL NO.

00D

(5) PACKING STYLE

T = Tray

(6) WORKING FREQUENCY

1516 =1.575 / 1.602 GHz

PHYCOMP CTC

CAN43134240D1561B

12NC

43134240D156

SPECIFICATION

Table 1

DESCRIPTION	VALUE
Centre Frequency	1575~1602 MHz
Gain	GPS: 2.65 dBi (Typ.) Glonass: 2.79 dBi (Typ.)
VSWR	2.0 Max
Polarization	Linear Polarization
Impedance	50 Ω
Operating Temperature	-40~105 °C

NOTE

1. Based on 50 x 50mm² square ground plane.
2. Centre frequency will be offset to working frequency while changes of customer's housing and ground plane.
3. Please contact local sales if you need customized design to gain optimum Antenna performance.

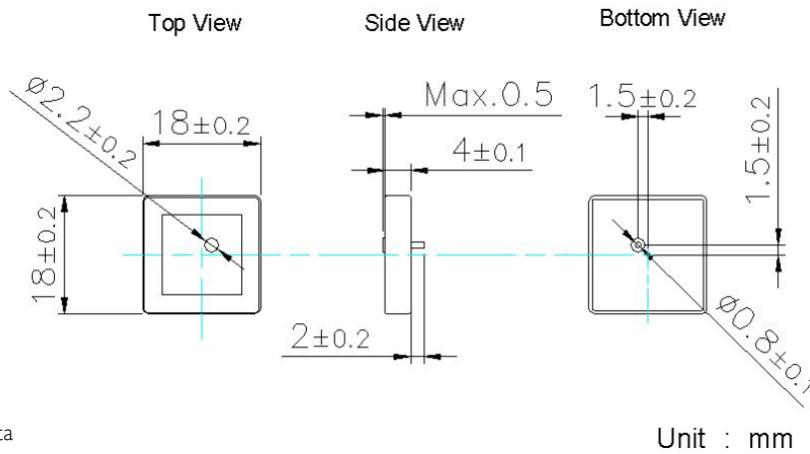


Fig. 1 Mechanical data

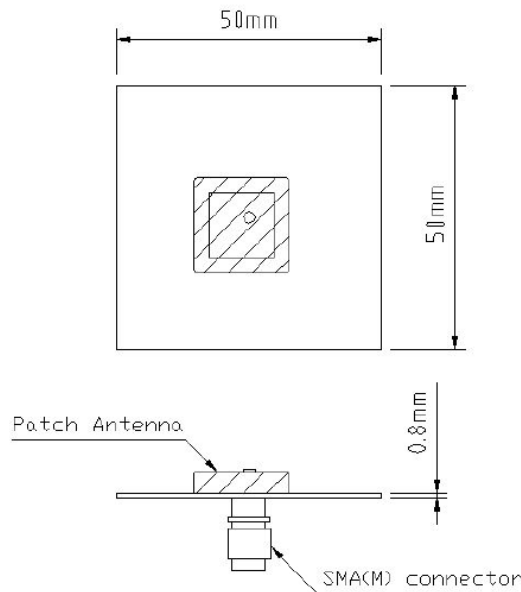


Fig. 2 Evaluation Board

ELECTRICAL PERFORMANCES

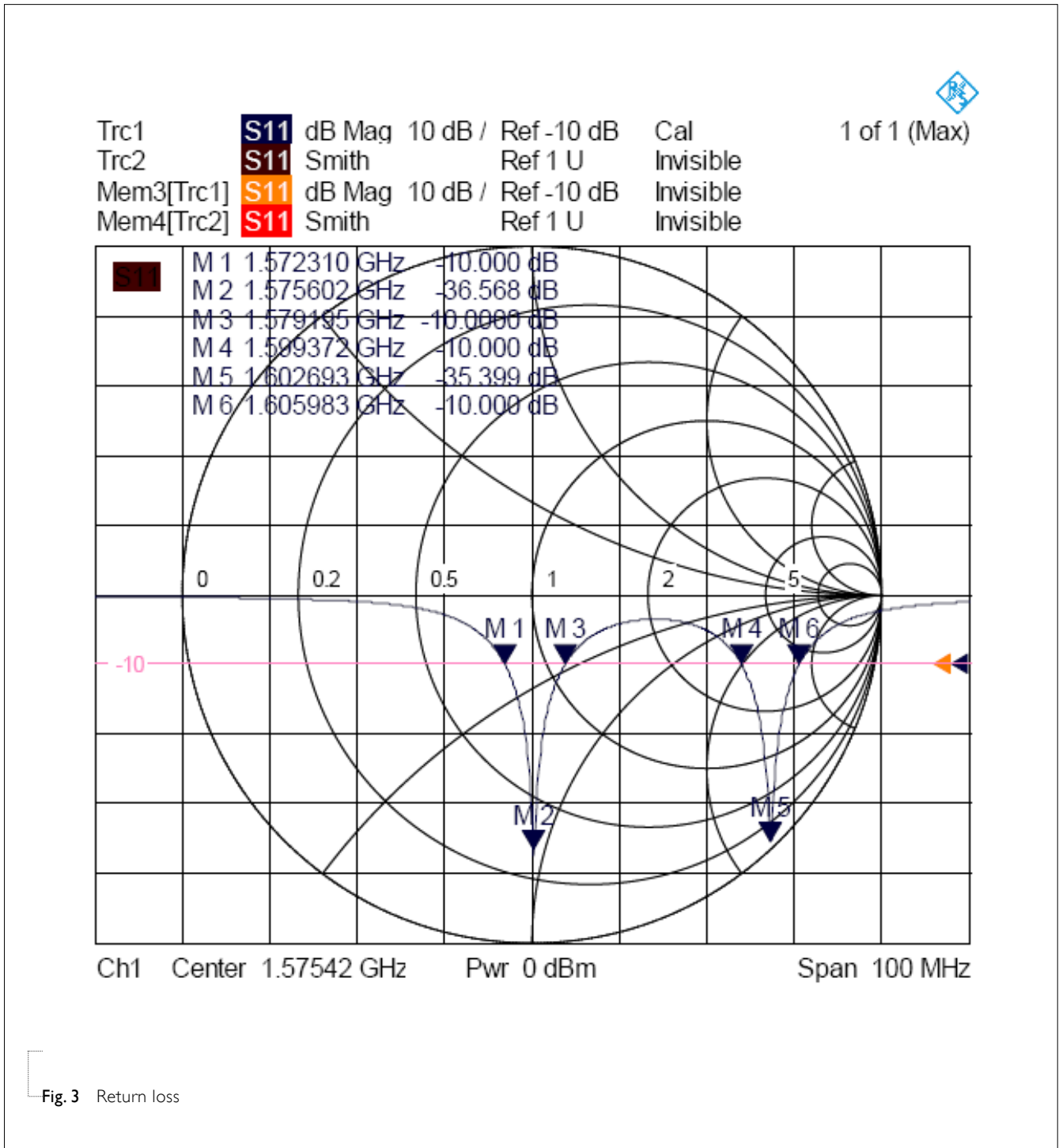
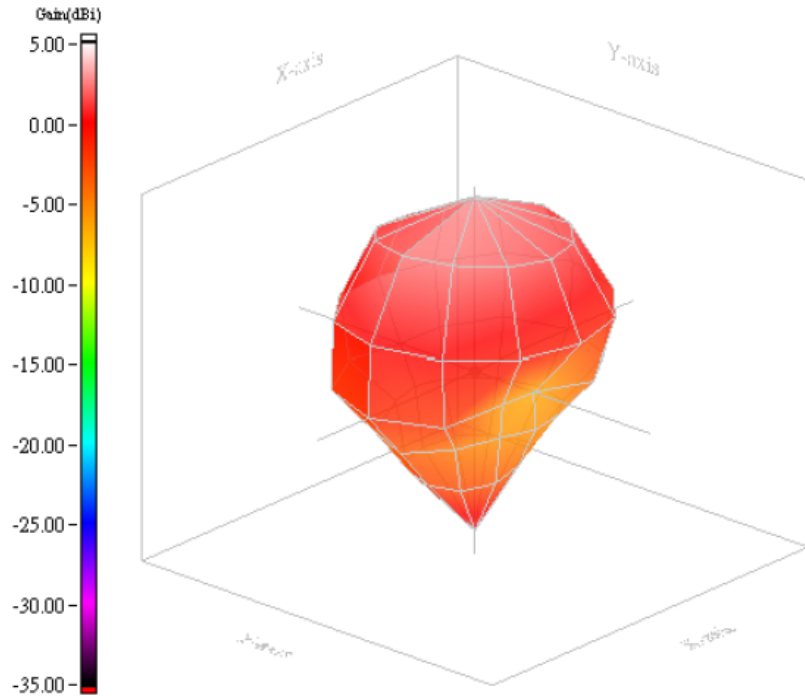
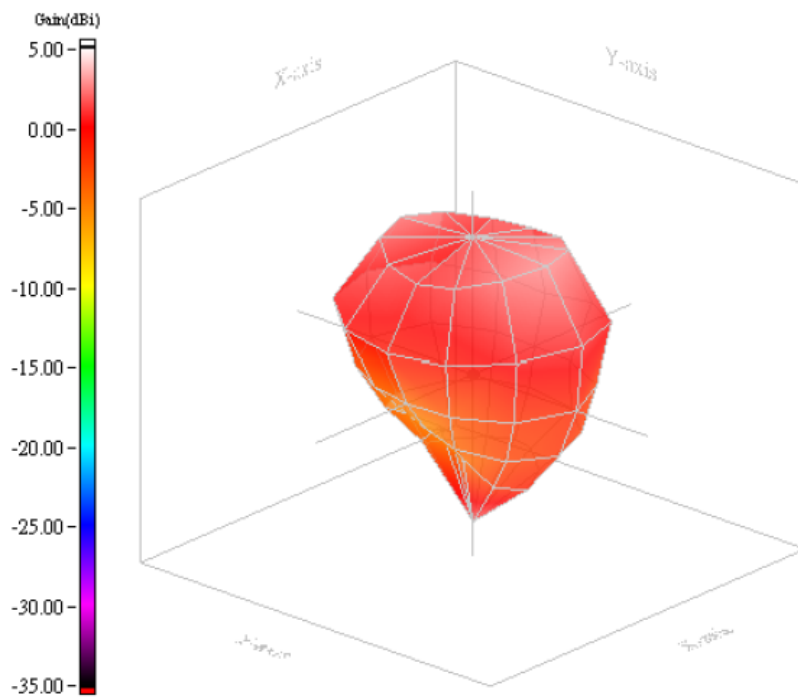


Fig. 3 Return loss



Frequency = 1575MHz



Frequency = 1602MHz

Fig. 4 Radiation Pattern

REVISION HISTORY

REVISION	DATE	CHANGE NOTIFICATION	DESCRIPTION
Version 0	Feb. 22, 2013	-	- New data sheet for Patch antenna, PIN Feed size 18×18×4 mm