

# Lowprofile Coaxial Connector for Automotive

## HF201 series

### Application

- Antenna for Terrestrial Digital Broadcasting
- GPS antenna, and other antenna
- Various kinds of sensors
- Car Navigation
- PND, and other various kinds of tuners

### Feature

- Excellent high-frequency performance (VSWR: 1.5 average value at 2.5GHz max.)
- Reducing reflection and transmission loss
- Downsized outline
- Lock mechanism enduring vibration and strain
- lock system enabling clear clicking
- RoHS Compliant
- SMT mounting (PCB mounting type)
- Crimp method enabling easy assembly

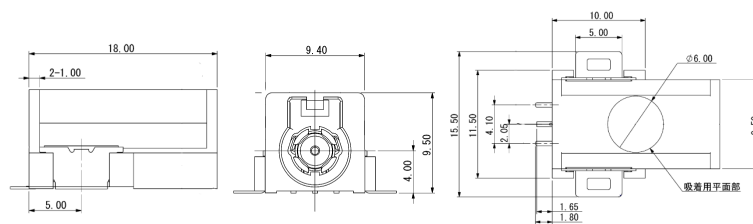
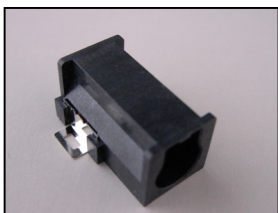
### Specification (pro forma amount)

	Product name	Material	Plating
Plug	Inner Contact	Copper Alloy	Sn
	Outer Contact	Copper Alloy	Sn
	Fixed Metal	Copper Alloy	Sn
	Insulator A	Heat Resisting Plastic	Black
	Insulator B	Heat Resisting Plastic	White
Socket	Inner Contact	Copper Alloy	Sn
	Outer Contact	Copper Alloy	Sn
	Insulator	Heat Resisting Plastic	White
	Housing	Heat Resisting Plastic	Black

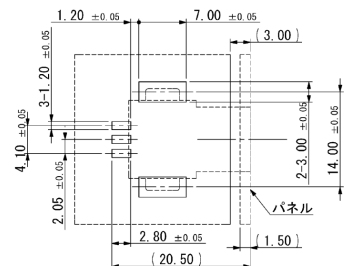
Term	Performance
Contact Resistance	Initial resistance: 50mΩ Max. at 10mA/20mV
Insulation Resistance	100MΩ Minimum at DC500V
Voltage Rating	AC500Vr.m.s(1min)
Characteristic Impedance	50Ω
V.S.W.R	1.5 average value (2.5GHz)
Operating Temperature	-40°C ~ +85°C

### Plug Contact

■ Single plug PCB mounting type (SMT): Product name HF201P-0001

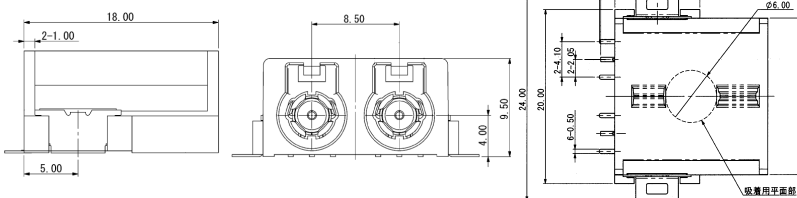
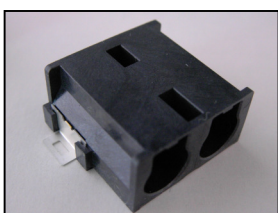


Sales unit: 90pcs/1tray

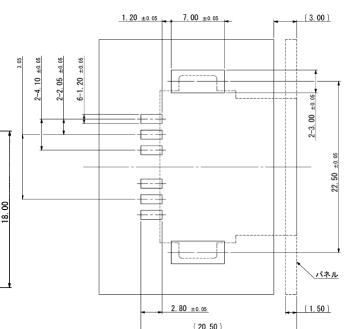


Recommended foot pattern

■ Double plug PCB mounting type (SMT): Product name HF201P-0002



Sales unit: 60pcs/1tray

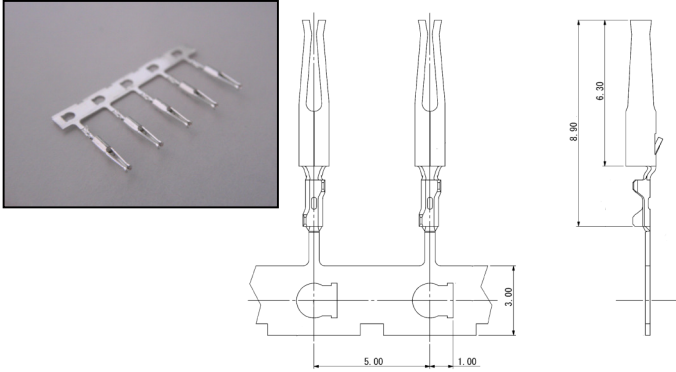


Recommended foot pattern

## Socket Contact

### Inner Contact (for signal wire):

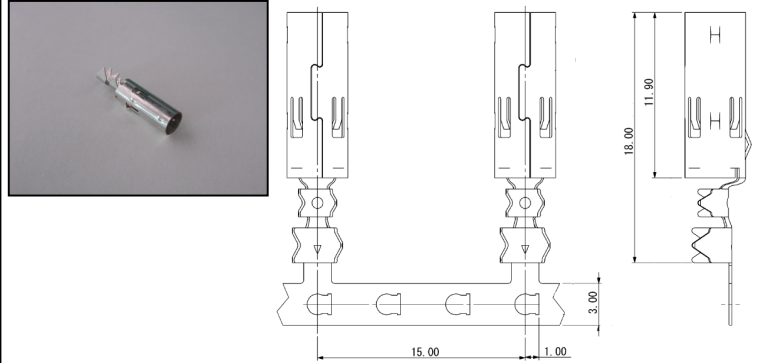
Product name HF201S-CT3868-T1  
Product name HF201S-CT3868-T2



Sales unit : 10,000pcs / 1 reel

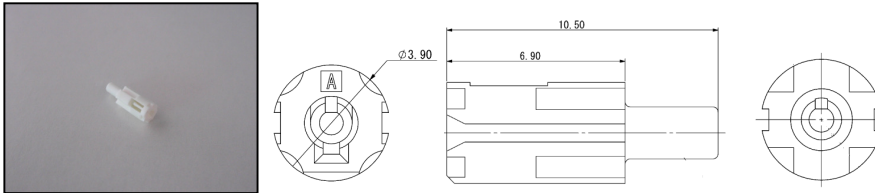
### Outer Contact (for braided part)

Product name HF201S-CT3869-T1  
Product name HF201S-CT3869-T2



Sales unit : 2,000pcs / 1 reel

### Insulator: Product name HF201S-01MO



Sales unit : 500pcs

Applicable cable	Contact name
1.0D respectable value ※1)	HF201S-CT3868-T1
	HF201S-CT3869-T1
1.5D respectable value	HF201S-CT3868-T2
	HF201S-CT3869-T2

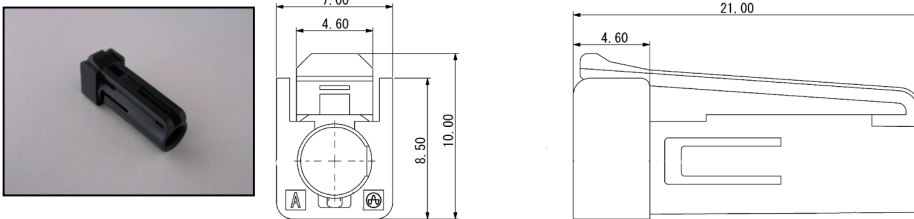
※1) Cable might need soldering with contact after crimping by coaxial wire specification. Please reconfirm our sales.

※Cable Connector composition(4parts for 1unit)

- Inner contact × 1pcs
- Outer contact × 1pcs
- Insulator × 1pcs
- Housing × 1pcs

Please purchase 4parts for 1unit.

### Housing: Product name HF201S-01IN



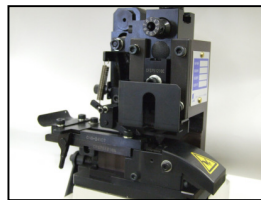
Sales unit : 500pcs

## Equipment for Assembly

### Semiautomatic crimp equipment:

### Applicator

Product name FX201-TOOL



Product name	Applicable cable
HF201S-TOOL-100	HF201S-CT3868-T1
HF201S-TOOL-110	HF201S-CT3868-T2
HF201S-TOOL-200	HF201S-CT3869-T1
HF201S-TOOL-210	HF201S-CT3869-T2



Head Office YAMAICHI ELECTRONICS Co.,Ltd.

3-28-7 Nakamagome, Ota-ku, Tokyo 143-8515, JAPAN Tel:+81-3-3778-6154 Fax:+81-3-3778-6177 <http://www.yamaichi.co.jp>

#### Oversea Branch

■ YAMAICHI ELECTRONICS U.S.A., Inc. 2235 Zanker Rd., San Jose, CA 95131, U.S.A. Tel:+1-408-456-0797 Fax:+1-408-456-0799 <http://www.yamaichi.us> ■ YAMAICHI ELECTRONICS DEUTSCHLAND GmbH Karl-Schmid-Strasse 9, 81829 Munich, Unit 713 Tower 2 Ground Central Plaza 138, Shatin Rural Committee Rd Shatin, N.T., HONG KONG Tel:+852-2687-1968 Fax:+852-2601-9681 <http://www.yamaichi.com.cn> ■ ASIA YAMAICHI ELECTRONICS Inc. 405 Kyungin Bldg. 166-3, Sam-seong-Dong Gangnam-Gu, Seoul 135-090, KOREA Tel:+82-2-557-0522 Fax:+82-2-557-0622 ■ YAMAICHI ELECTRONICS SINGAPORE Pte. Ltd. 51 Cuppage Rd, #04-01/02 Starhub Centre 229469 SINGAPORE Tel:+65-6734-0060 Fax:+65-6735-5567 ■ YAMAICHELECTRONICS TAIWAN Co., Ltd. Tm 1021, No. 144, Min Chuan E. Rd, Sec 3 Taipei 105, TAIWAN Tel:+886-2-2546-0507 Fax:886-2-2546-0509 <http://www.yamaichi.com.cn>

Specification in this document are reference values for representative products of each series and change without prior notice. Since product improvement entails changes to electrical, material and mechanical properties, the purchasing party is strongly encouraged to inquire about the latest specifications before placing a purchase order. All other service, product and company names mentioned herein are the trademarks or registered trademarks of their respective owners.