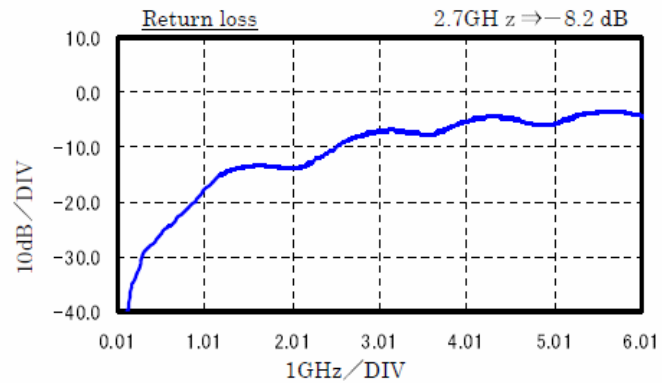
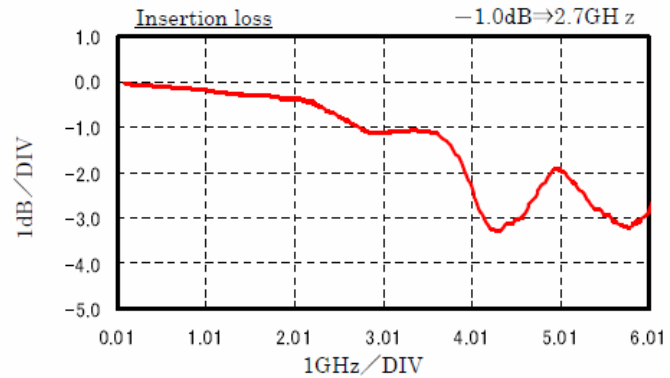
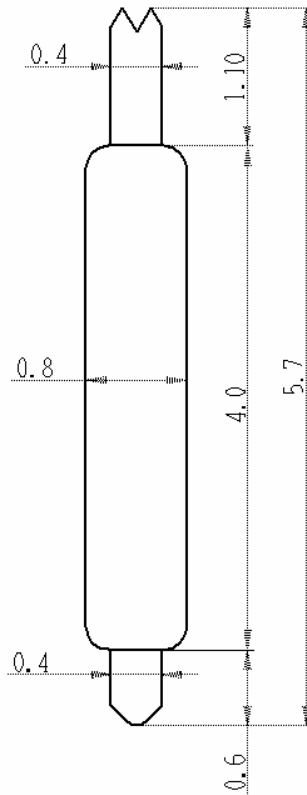


CONTACT 3160 Specification



All contacts around measured 2 contacts are used to ground.

Equipment: WILSON Network analyzer Model 54117A

Mechanical:

Min. Pitch:	1.0mm
Recommended Travel:	0.65mm
Typical Spring Force:	30g @0.65mm
Contact Life:	300K insertions
Operating Temp.:	-55 to 125°C

Electrical:

Resistance:	< 100 m Ω
Current Rating:	2.1A
Insertion Loss:	2.7 GHz at -1dB *
Return Loss:	-8.2dB at 2.7GHz *
Self Inductance:	1.70nH
Mutual Inductance:	0.28nH
Self Capacitance:	0.98pF
Mutual Capacitance:	0.23pF

* Pin Alignment: GSG

Data are reference only and subject to change.

Yamaichi Electronics USA Inc.
475 Holger Way San Jose, CA 95134
Tel:408-715-9100 www.yeu.com