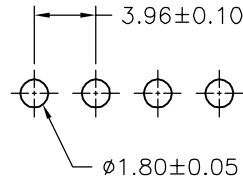
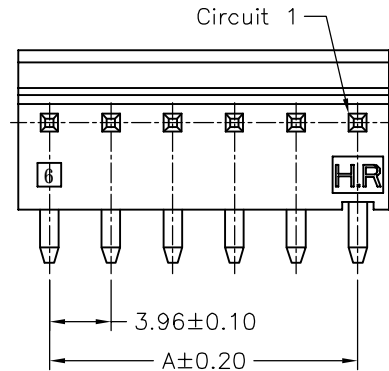


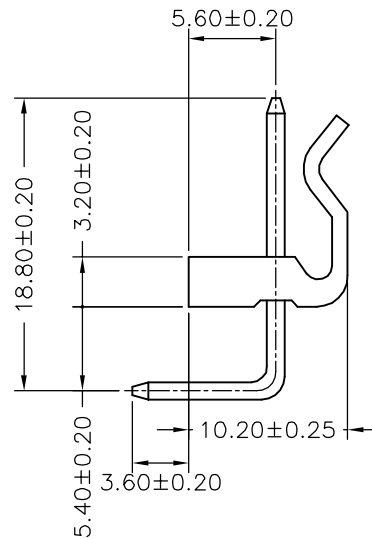
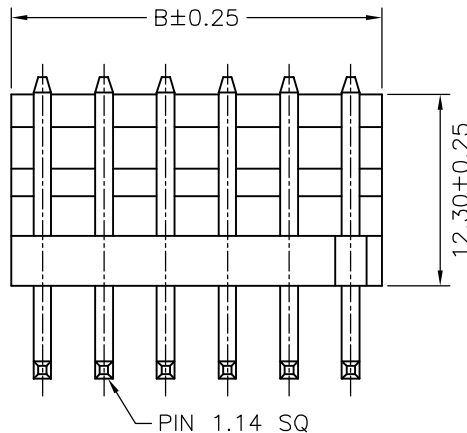
SPECIFICATIONS
 Current Rating: 7A AC,DC
 Voltage Rating: 250V AC,DC
 Temperature Range: -25°C ~ +85°C
 Contact Resistance: 10mΩ Max
 Insulation Resistance: 1000MΩ Min
 Withstanding Voltage: 1500V AC/minute
 Pin Material: Brass/Tin-plated
 Material: Nylon 66,UL94V-2
 Color: Natural(Translucent)

Ordering Information & Dimensions

| PART NO. | Dimensions | |
|-------------|------------|-------|
| | A | B |
| A3960WR-02P | 3.96 | 7.92 |
| A3960WR-03P | 7.92 | 11.88 |
| A3960WR-04P | 11.88 | 15.84 |
| A3960WR-05P | 15.84 | 19.80 |
| A3960WR-06P | 19.80 | 23.76 |
| A3960WR-07P | 23.76 | 27.72 |
| A3960WR-08P | 27.72 | 31.68 |
| A3960WR-09P | 31.68 | 35.64 |
| A3960WR-10P | 35.64 | 39.60 |
| A3960WR-11P | 39.60 | 43.56 |
| A3960WR-12P | 43.56 | 47.52 |
| A3960WR-13P | 47.52 | 51.48 |
| A3960WR-14P | 51.48 | 55.44 |
| A3960WR-15P | 55.44 | 59.40 |
| A3960WR-16P | 59.40 | 63.36 |
| A3960WR-17P | 63.36 | 67.32 |
| A3960WR-18P | 67.32 | 71.28 |
| A3960WR-19P | 71.28 | 75.24 |
| A3960WR-20P | 75.24 | 79.20 |



P.C.B LAYOUT



| | | | | | |
|-------------------|-------------|------------|-------------|--|-----------------------------------|
| | | | | JOINT TECH ELECTRONIC IND. CO., LTD. JOY DAY INDUSTRIAL CO., LTD. | |
| | | UNIT | SCALE | SHEET | TITLE: |
| | | mm | | 1 of 1 | |
| | | DRAWN BY | APPROVED BY | | 3.96mm PITCH 90° WAFER |
| | | 董正一 | 董正一 | | |
| | | 2001.02.01 | 2001.02.01 | | |
| GENERAL TOLERANCE | | | | | |
| B1 | REVISE | 2006.10.31 | X. X±0.25 | ANGLE± | DRAW NO.: A3960WR-XP REV. B1 |
| B0 | NEW RELEASE | 2006.05.29 | X. XX±0.15 | | |
| REV. | DESCRIPTION | DATE | X. XXX±0.05 | | |

X-ON Electronics

Largest Supplier of Electrical and Electronic Components

Click to view similar products for [I/O Connectors](#) category:

Click to view products by [Joint manufacturer](#):

Other Similar products are found below :

[571763P](#) [58098-0628](#) [61-168618-12P](#) [D38999/20FJ24PA L/C](#) [D38999/20FJ29SB L/C](#) [D38999/24FG11SN L/C](#) [72.250.1628.2](#) [72.250.2428.2](#)
[74720-0505](#) [747680210](#) [76.350.0729.0](#) [76871-1403](#) [FCN-244F080-G/1](#) [FCN-260A9920](#) [FCN-268D024-G/2F#10X-R10](#) [PCS-E50FA](#) [PCS-](#)
[XE26LKA](#) [PCS-XE26MA+](#) [PCS-XES68MS+](#) [G38A71314B](#) [91-569719-35R](#) [DX40-50P\(55\)](#) [1571250010](#) [157-22500-3](#) [1888020-8](#) [91-](#)
[569786-35H](#) [91-569786-35M](#) [91-644626-35P](#) [172501-4002](#) [172501-6002](#) [FCN-260C008-A/L0](#) [FCN-260C024-AL0](#) [FCN-261Z008](#) [FCN-](#)
[268D008-G/1K](#) [2000314-1](#) [200331-1](#) [2007498-2](#) [PCR-E28LMDAG1+](#) [PCR-E36FC+](#) [PCS-E28FS+](#) [PCS-XE26SLFD+](#) [PCS-XE26SLFDT+](#)
[G38A71214B](#) [HDRA-E68W1LFDTC-SL+](#) [HDR-E14MSG1+](#) [R88A-CNK81S](#) [CRT1-ATT02](#) [54182-0605](#) [U90B2054081210](#)
[UE86K842720321](#)