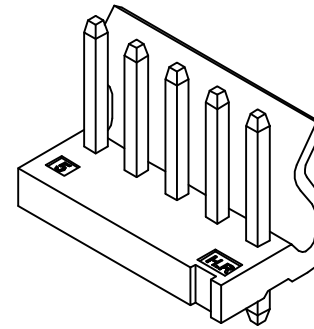


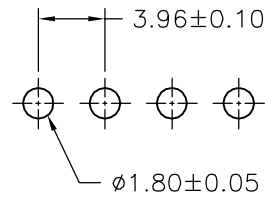
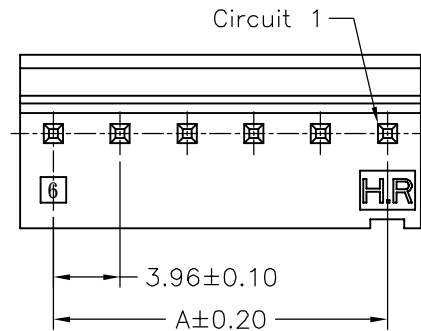
**SPECIFICATIONS**

Current Rating: 7A AC,DC  
 Voltage Rating: 250V AC,DC  
 Temperature Range: -25°C ~ +85°C  
 Contact Resistance: 10mΩ Max  
 Insulation Resistance: 1000MΩ Min  
 Withstanding Voltage: 1500V AC/minute  
 Pin Material: Brass/Tin-plated  
 Material: Nylon 66,UL94V-2  
 Color: Natural(Translucent)

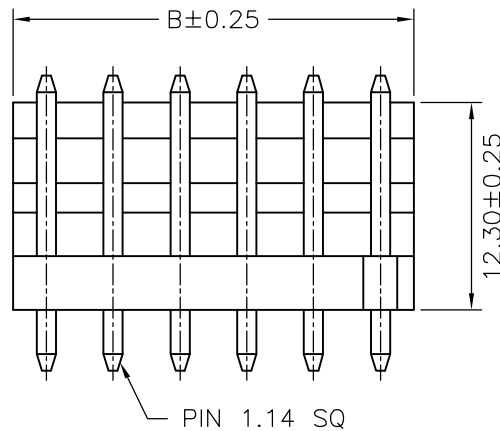


**Ordering Information & Dimensions**

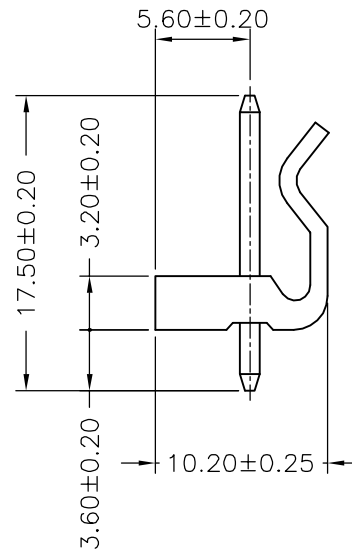
PART NO.	Dimensions	
	A	B
A3960WV-02P	3.96	7.92
A3960WV-03P	7.92	11.88
A3960WV-04P	11.88	15.84
A3960WV-05P	15.84	19.80
A3960WV-06P	19.80	23.76
A3960WV-07P	23.76	27.72
A3960WV-08P	27.72	31.68
A3960WV-09P	31.68	35.64
A3960WV-10P	35.64	39.60
A3960WV-11P	39.60	43.56
A3960WV-12P	43.56	47.52
A3960WV-13P	47.52	51.48
A3960WV-14P	51.48	55.44
A3960WV-15P	55.44	59.40
A3960WV-16P	59.40	63.36
A3960WV-17P	63.36	67.32
A3960WV-18P	67.32	71.28
A3960WV-19P	71.28	75.24
A3960WV-20P	75.24	79.20



P.C.B LAYOUT



PIN 1.14 SQ



				UNIT	SCALE	SHEET	TITLE:
				mm		1 of 1	
				DRAWN BY		APPROVED BY	
				董正一		董正一	
				2001.02.01		2001.02.01	
				GENERAL TOLERANCE			
B1	REVISE	2006.10.31	X. X±0.25	ANGLE±			
B0	NEW RELEASE	2006.05.29	X. XX±0.15	3.96mm PITCH 180° WAFER			
REV.	DESCRIPTION	DATE	X. XXX±0.05				
						DRAW NO.:	REV.
						A3960WV-XP	B1

## X-ON Electronics

Largest Supplier of Electrical and Electronic Components

*Click to view similar products for [I/O Connectors](#) category:*

*Click to view products by [Joint manufacturer](#):*

Other Similar products are found below :

[571763P](#) [58098-0628](#) [61-168618-12P](#) [D38999/20FJ24PA L/C](#) [D38999/20FJ29SB L/C](#) [D38999/24FG11SN L/C](#) [72.250.1628.2](#) [72.250.2428.2](#)  
[74720-0505](#) [747680210](#) [76.350.0729.0](#) [76871-1403](#) [FCN-244F080-G/1](#) [FCN-260A9920](#) [FCN-268D024-G/2F#10X-R10](#) [MP-5T180MUNNA-005](#) [MP-5XRJ45UNNB-003](#) [PCS-E50FA](#) [PCS-XE26LKA](#) [PCS-XE26MA+](#) [PCS-XES68MS+](#) [G38A71314B](#) [91-569719-35R](#) [9776-18-6](#)  
[DX40-50P\(55\)](#) [1571250010](#) [157-22500-3](#) [MS3471L14-19P L/C](#) [MS3476W12-10S L/C](#) [171224-6031](#) [1888020-8](#) [91-569786-35H](#) [91-569786-35M](#) [91-644626-35P](#) [172501-4002](#) [172501-6002](#) [FCN-260C008-A/L0](#) [FCN-260C024-AL0](#) [FCN-261Z008](#) [FCN-268D008-G/1K](#) [2000314-1](#)  
[200331-1](#) [2007498-2](#) [PCR-E28LMDAG1+](#) [PCR-E36FC+](#) [PCS-E28FS+](#) [PCS-XE26SLFD+](#) [PCS-XE26SLFDT+](#) [G38A71214B](#) [HDRA-E68W1LFDTC-SL+](#)