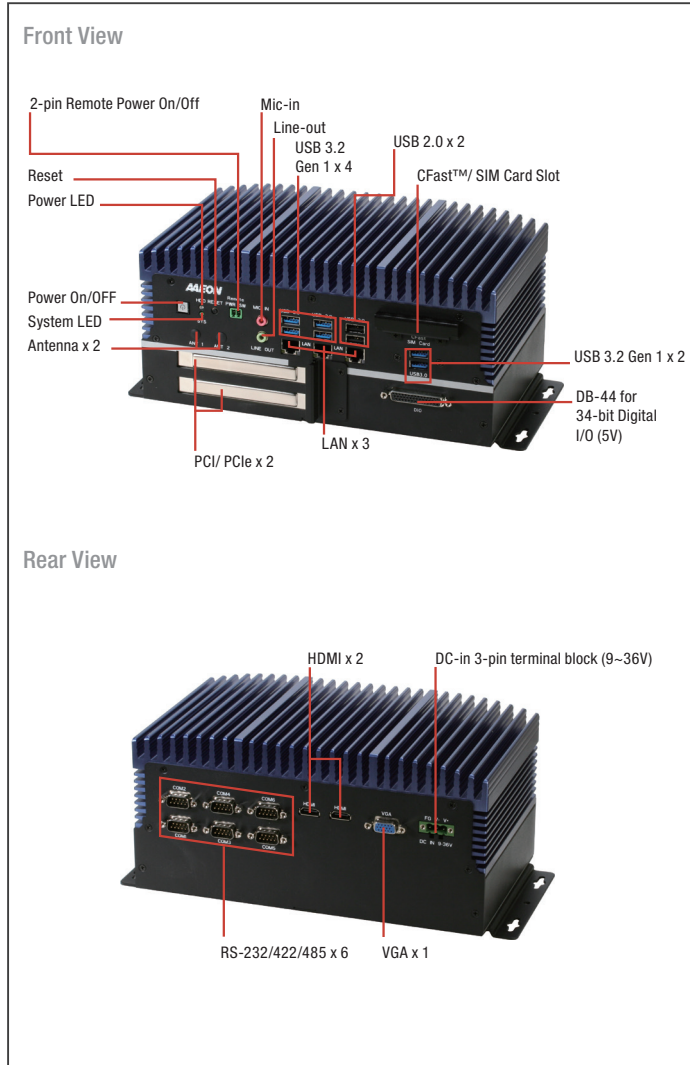


# BOXER-6839

Expandable Fanless Embedded Box PC with 6th/ 7th Generation Intel® Core™ Desktop Processor and PCIe [x4] & PCI Expansion



## Features

- Extreme Computing Power & Graphic Display Capability
- Desktop Grade Socket Type Processor with Longevity Support
- DDR4 ECC or Non-ECC SODIMM, Up to 32GB
- VGA + HDMI x 2 Triple Display, HDMI 4K Display
- PCIe [x4] & PCI Expansion
- USB 3.2 Gen 1 x 6
- Industrial-grade Intel® GbE LAN x 3
- Supports BIOS Selectable RS-232/422/485 x 6
- Easy Access Design
- Wide Range DC 9~36V Input
- 34-bit Digital Input and Output



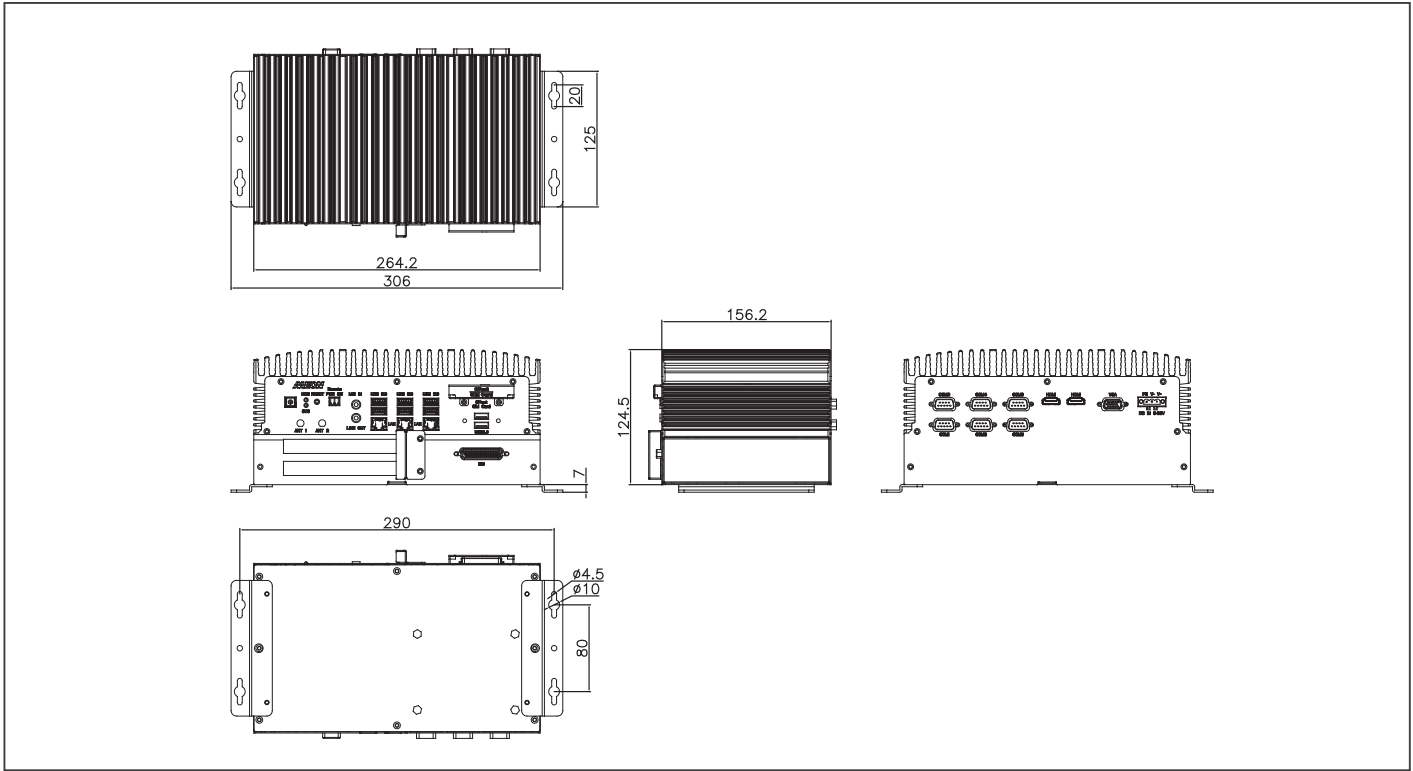
I/O	RS-232/422/485 x 6 USB Type A x 6 for USB 3.2 Gen 1 USB Type A x 2 for USB 2.0 RJ-45 x 3 for GbE LAN DB-44 for 34-bit Digital I/O (5V) CFAST™ slot x 1 SIM card slot x 1 Power On/Off Button x 1 2 pin Remote power on/off Reset switch Mic-in x 1 Line-out x 1 Antenna opening x 2 SYS LED indicator x 1 HDD LED indicator x 1 DB-15 x 1 for VGA HDMI v1.3 x 2 DC-in 3-pin terminal block (9~36V)
Expansion	Full-size Mini-Card x 2 PCIe [x4] x 1 & PCIe [x1] x 1 (for A1) PCIe [x4] x 1 & PCI x 1 (for A2) PCI x 2 (for A3)
Indicator	Power LED HDD active LED
OS Support	<b>7th Generation Intel® Core™ Processor family:</b> Windows® 10 IOT (64bit) Ubuntu 16.04 above Fedora 25 above CentOS 7.3 above <b>6th Generation Intel® Core™ Processor family:</b> Windows® 10 IOT (64bit) Windows® 8.1 (64bit) Windows® embedded 8 standard (64bit) Windows® 7 (64bit/32bit) Windows® embedded standard 7 (32/64bit) Ubuntu 16.04 above Fedora 25 above CentOS 7.3 above
<b>Power Supply</b>	
Power Requirement	9 - 36V with 3-pin terminal block
<b>Mechanical</b>	
Mounting	Wallmount
Dimensions (W x H x D)	10.40" x 4.90" x 6.15" (264.2mm x 124.5mm x 156.2mm)
Gross Weight	13.2 lb (6.0 kg)
Net Weight	9.9 lb (4.5 kg)
<b>Environmental</b>	
Operating Temperature	-4°F ~ 131°F (-20°C ~ 55°C) (according to IEC68-2-14 with 0.5 m/s AirFlow; with industrial devices)
Storage Temperature	-49°F ~ 176°F (-45°C ~ 80°C)
Storage Humidity	5~95% @ 40°C, non-condensing
Anti-Vibration	5 Grms/ 5 ~ 500Hz/ operation - SSD/CFAST™ card 1 Grms/ 5 ~ 500Hz/ operation - HDD
Anti-Shock	—
Certification	CE/FCC class A

## Specifications

System	
CPU	<b>7th Generation Intel® Core™ Processor family:</b> Intel® Core™ i7-7700T, 2.9 GHz Intel® Core™ i5-7500T, 2.8 GHz Intel® Core™ i3-7101TE, 3.4 GHz Intel® Pentium® G4600T, 3.0 GHz Intel® Pentium® G4560T, 2.9 GHz Intel® Celeron® G3930T, 2.7 GHz <b>6th Generation Intel® Core™ Processor family:</b> Intel® Core™ i7-6700TE, 2.4 GHz Intel® Core™ i5-6500TE, 2.3 GHz Intel® Core™ i3-6100TE, 2.7 GHz Intel® Pentium® G4500T, 3.0 GHz Intel® Pentium® G4400T, 2.9 GHz Intel® Celeron® G3900T, 2.6 GHz
Chipset	Intel® Q170
System Memory	DDR4 1866/2133 SODIMM slot x 2, up to 32GB
Display Interface	HDMI, VGA
Storage Device	CFAST™, HDD/SSD
Ethernet	Intel® i210, 10/100/1000 Base-TX x 3

## Dimension

Unit: mm



## Ordering Information

Part Number	CPU	RAM	LAN	USB 3.2 Gen 1	USB 2.0	RS-232/422/485	Digital I/O	Audio	Storage	Display	Expansion	Mounting	Power	Operating Temp.
BOXER-6839-A1-1010	—	—	3	6	2	6	34 bit	MIC-in x 1 Line-Out x 1	2.5" Drive Bay x 2 CFast™ x 1	VGA x 1 HDMI x 2	PCIe[x4] + PCIe[x1] Full-size Minicard x 2	Wallmount	9~36V DC In	-4°F ~ 131°F (-20°C ~ 55°C)
BOXER-6839-A2-1010	—	—	3	6	2	6	34 bit	MIC-in x 1 Line-Out x 1	2.5" Drive Bay x 2 CFast™ x 1	VGA x 1 HDMI x 2	PCIe[x4] + PCI Full-size Minicard x 2	Wallmount	9~36V DC In	-4°F ~ 131°F (-20°C ~ 55°C)
BOXER-6839-A3-1010	—	—	3	6	2	6	34 bit	MIC-in x 1 Line-Out x 1	2.5" Drive Bay x 2 CFast™ x 1	VGA x 1 HDMI x 2	PCI x 2 Full-size Minicard x 2	Wallmount	9~36V DC In	-4°F ~ 131°F (-20°C ~ 55°C)

## Packing List

- Wallmount Bracket x 2
- Screw Package x 1
- Thermal Pad x 3
- Phoenix Power Connector x 1
- BOXER-6839

## Optional Accessories

- **125590120B**  
Power Adapter
- **1702031802**  
Power Cord (US Type)
- **1702031803**  
Power Cord (Europe)
- **170203180E**  
Power Cord (Japan)
- **9741159H00**  
WiFi/Bluetooth Module & Antenna
- **9741EC25E0**  
4G Module & Antenna (For Europe)
- **9741EC25A0**  
4G Module & Antenna (For USA-AT&T)
- **9741EC25V0**  
4G Module & Antenna (For USA-Verizon)

## X-ON Electronics

Largest Supplier of Electrical and Electronic Components

*Click to view similar products for [Ethernet Modules](#) category:*

*Click to view products by [Aaeon](#) manufacturer:*

Other Similar products are found below :

[I350T4V2](#) [GX-OD1612](#) [TDKEZW3](#) [I350T2V2](#) [V23993-USB1029A](#) [I350T2V2BLK](#) [FC6A-PH1](#) [EM-ETH-GATEWAY-IFS](#) [EK1122](#)  
[EL1018](#) [EL1809](#) [EL2622](#) [EL2904](#) [EL6021](#) [EL6224](#) [EL6631](#) [EL9011](#) [EL9100](#) [KL1002](#) [KL1104](#) [KL2602-0010](#) [KL3208-0010](#) [KL6821](#)  
[KL9100](#) [KL9200](#) [X710T2L](#) [RY9012A0000GZ00#002](#) [X710T4LBLK](#) [7000-14561-7960150](#) [7000-44711-7960300](#) [7000-44711-7960750](#)  
[7000-44711-7961000](#) [7000-74711-4780150](#) [7000-89701-7910500](#) [7000-P6241-P060500](#) [2352903-2](#) [BOXER-6614-A1M-1110](#) [ED-593](#) [WC-](#)  
[PD13C033I-1](#) [EL2809-0015](#) [WC-PD30A012C](#) [NS8](#) [NS2](#) [NS4](#) [USR-K3](#) [USR-K2](#) [USR-TCP232-E2](#) [WC-PD13S120B](#) [WC-PD13C012S](#)  
[WC-PD07H012C](#)