

# Manual of EP-CHUPCNETPLUS

UP Net Plus chassis for UP  
Core Plus system



<b>Revision:</b>	01	
<b>Update Date:</b>	9 August 2019	
<b>Prepared For:</b>	UP Shop User	AAEON Europe
<b>Prepared By:</b>	Kuankuan Cao	AAEON Europe

## Revision History

The following table contains the information regarding the history and revisions of this living document.

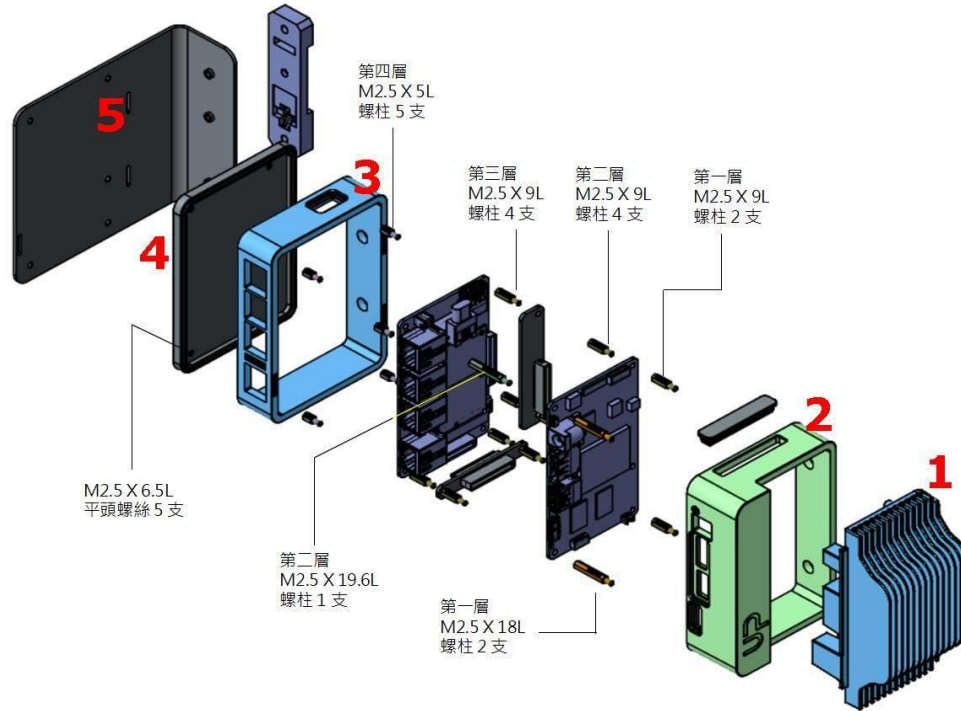
Version	Date	Contributor	Changes	Description
01	08/08/2019	Kuankuan Cao	Initial	Creation

## Document Attributes

The following table contains the list of files that are associated with this living document.

Filename	Description
Approval Sheet EP-CHUPCNETPLUS	Approval Sheet
3D EP-CHUPCNETPLUS	3D Drawing

## Exploding View



## Parts List

The kit includes the following items:

- NET Plus Middle base @1pc
- M2.5\*9 Hex Standoff. @8pcs
- M2.5\*19.5 Hex Standoff. @1pcs
- SMA plug @2pcs

Not included in the kit, you may need to prepare:

- NET Plus stacking board (UPCP-CR-NPL4xxxx)
- UP Core plus main housing ( EP-CHUPCPLUSMT1)

Package of NET Plus housing

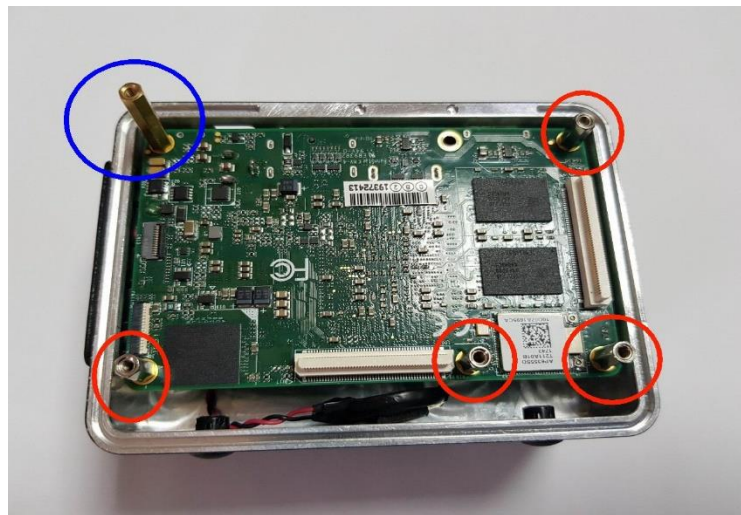


## Assembly STEP start from unboxing:

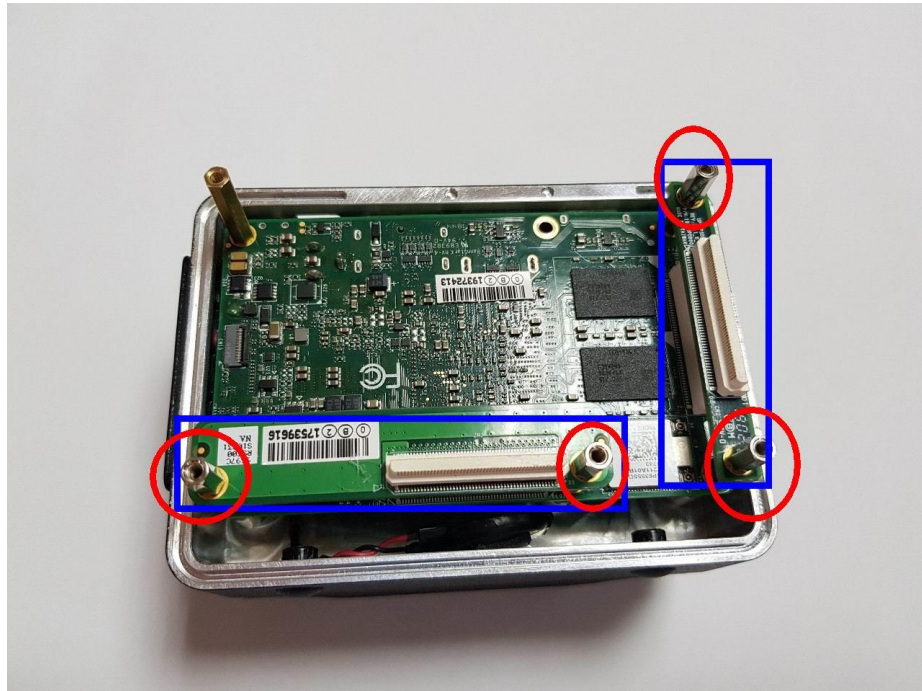
1. Prepare the UP Core Plus system, remove the bottom base. Meanwhile prepare the NET Plus board including 2 spacers. When Remove the bottom base, please put 5 x screws and stand off aside and we will need them later.



2. Fasten the UPCP PCB on top cover by 2 different kinds of hex standoffs through the 5 threads nut on ( picture below ). Make sure to place the 4 pcs 9mm and the 19.5mm hex standoffs in the same position as following picture .



3. Fasten the 2 spacers on the motherboard by 4pcs 9mm hex standoff



4. Put the NET plus board to be directed into the spacers and the standoff well.



5. Place the NET Plus housing on the top of the main housing, checking the IO side, make sure the I/O is exactly matching the panel side.



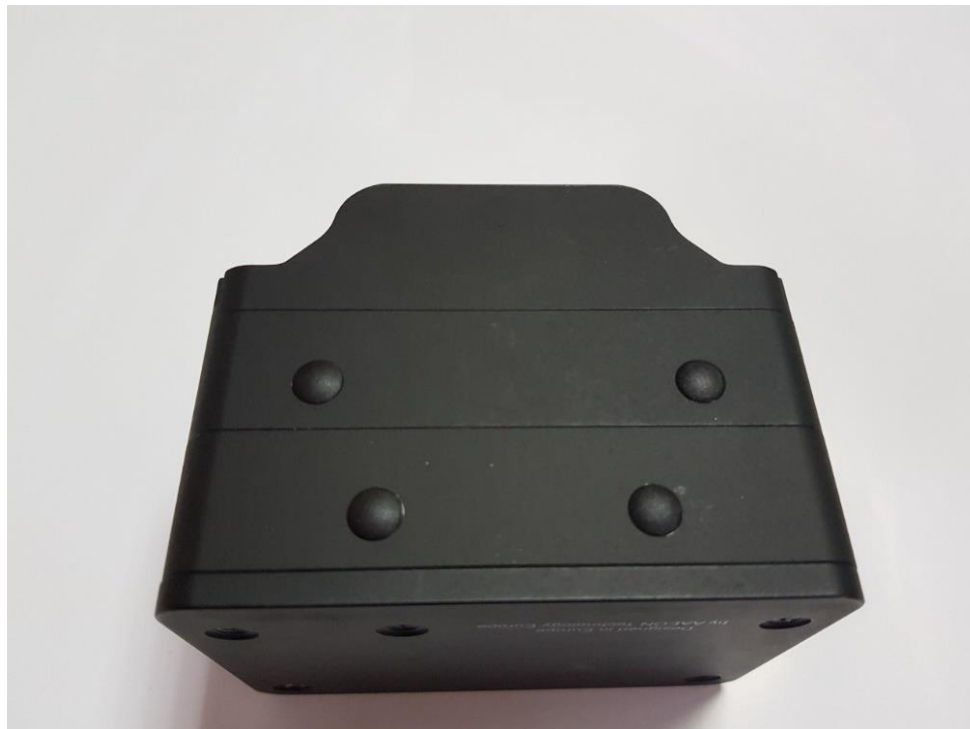
6. Use the 5x 5mm Hex standoff that was reserved at first step to fasten the NET Plus board.



7. Place the bottom base on top of the NET Plus housing and tighten this with the M2.5\*4 screws which are reserved at first step.



8. In case no Antenna usage, Use the SMA rubber to cover the SMA hole.





9. Check all sides and make sure is exactly match with the IO.







## X-ON Electronics

Largest Supplier of Electrical and Electronic Components

*Click to view similar products for [Processor Accessories](#) category:*

*Click to view products by [Aaeon](#) manufacturer:*

Other Similar products are found below :

[2447](#) [451651](#) [SPB204-AL-1](#) [90001265-88](#) [32316](#) [MIKROE-2147](#) [20-101-0431](#) [28148](#) [T050000](#) [28961](#) [Basic US PI3 Kit](#)  
[82634DSARPLTVIK](#) [1557](#) [20-101-0502](#) [EP-CHUPCNETPLUS](#) [1019](#) [4466](#) [AD-FMC-SDCARD](#) [ATATMEL-ICE-CABLE](#) [ATATMEL-](#)  
[ICE-PCBA](#) [ATAVR-MICTOR38](#) [Basic INTL PI3 Kit](#) [20-101-0495](#) [BK0006](#) [BK0007](#) [LG624 DAISY CHAIN-1](#) [MIKROE-2094](#) [MIKROE-](#)  
[2148](#) [MIKROE-2149](#) [130-35000](#) [28106](#) [28152](#) [30055](#) [30078](#) [32333](#) [555-28188](#) [572-28132](#) [699004](#) [CWH-CTP-STC-YE](#) [ATABOT](#) [700-](#)  
[00056](#) [FXX-3006-JES](#) [28114](#) [28985](#) [868](#) [1744](#) [ARX-DSP](#) [B000003](#) [X000048](#) [CG1152 DAISY CHAIN](#)