



APPROVAL SHEET

承认书

NS P/N : EP- CHUPSMTVAC&P

MODEL NO. : UP2 CASE-1 (荷兰 AN)

VERSION : 01

DATE : SEP. 3 , 2018

PREPARED BY : LI XIN

CHECKED BY : SHEN LIHE

APPROVAL : YAO JIARUI

BEIJING DEEPCOOL INDUSTRIES CO.,LTD

Building 10,No.9 Dijin Road, Zhongguancun Environmental Protection Park, Haidian Dist.
Beijing 100095, China

TEL: +86-10-5640 1752

FAX: +86-10-5640 1925

<http://www.deepcool.com>



北京市鑫全盛科技有限公司
BEIJING DEEPCOOL INDUSTRIES CO.,LTD

MODIFICATION	VER	DATE



CONTENTS

1. COMPONENTS LIST , DESCRIPTION & PHOTO OF PRODUCT.....	3
1.1 COMPONENTS LIST	3
1.2 DESCRIPTION & PHOTO OF PRODUCT	4
2. CHARACTERISTICS	4
2.1 MECHANICAL CHARACTERISTICS.....	4
3. DRAWINGS: UP2 CASE-1 ASSEMBLY.....	5
3.1 LOGO PLATE	6
3.2 TOP COVER.....	7
3.3 MID-CASE	8
3.4 BASE PLATE	9
3.5 HOLDER	10
3.6 SCREW.....	11
3.7 NUT	12



1. COMPONENTS LIST, DESCRIPTION & PHOTO OF PRODUCT

1.1 COMPONENTS LIST

NO.	PART	SPEC/mm	QTY.	PAGE
1	LOGO PLATE	93.2X48X20.5	1	6
2	TOP COVER	98.5X93.5X23.4	1	7
3	MID-CASE	105X100X45	1	8
4	BASE PLATE	104X99X5.4	1	9
5	HOLDER	120X65X2	1	10
6	SCREW	M2.5X6KM	14	11
7	NUT	M2.5XH4X33	4	12
8	GAP PAD 1	15.0X15.0X1.0	1	/
9	GAP PAD 2	10X10X1.5	2	/
10	PAD 1	20X9X2	1	/
11	PAD 2	21X14X1	1	/
12	PAD 3	85X33X1	1	/
13	PLUG 1	φ 5.0Xφ 6.5X9	4	/
14	PLUG 2	φ 9.5Xφ 3.3X5.5	2	/



1. DESCRIPTION & PHOTO OF PRODUCT



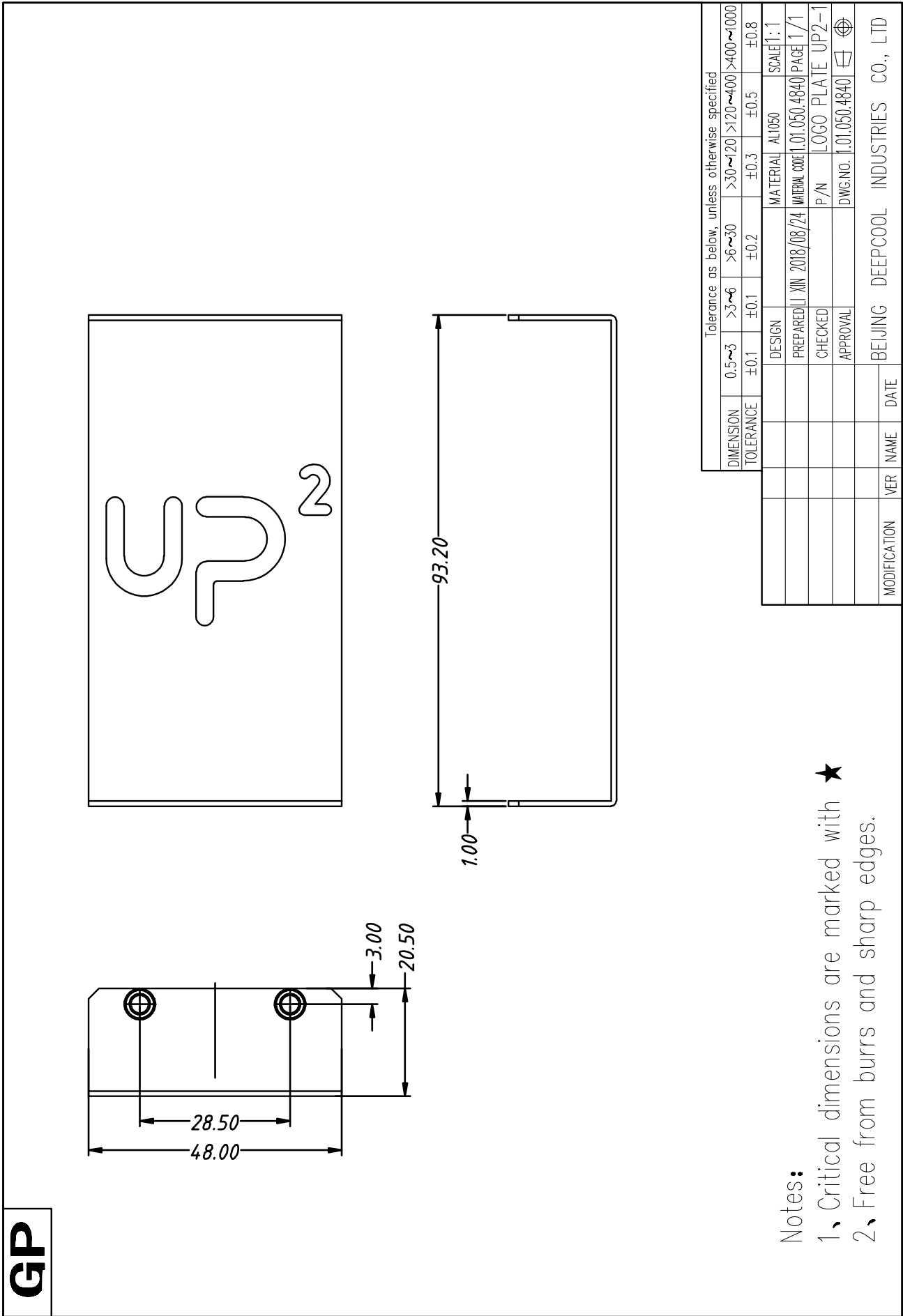
View

2. CHARACTERISTICS

2.1 MECHANICAL CHARACTERISTICS

Overall Dimension	132.5X120X58.4
-------------------	----------------

3.1 LOGO PLATE

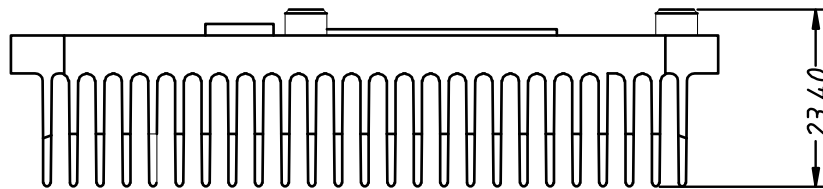
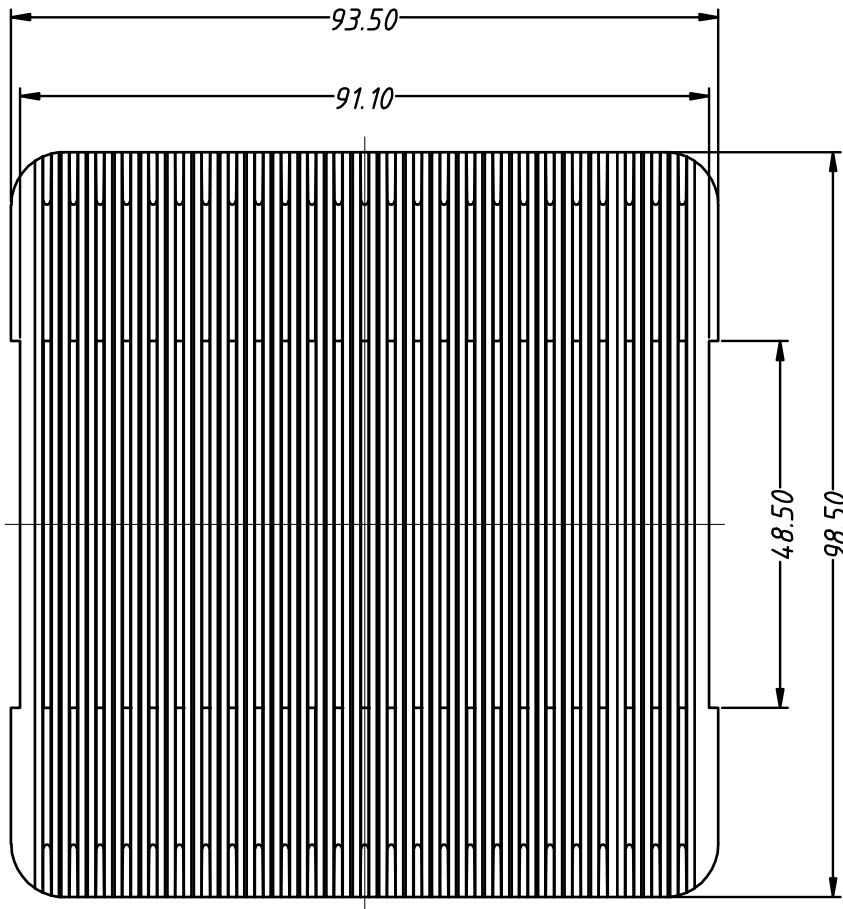


Notes:
 1、Critical dimensions are marked with ★
 2、Free from burrs and sharp edges.

GP



3.2 TOP COVER



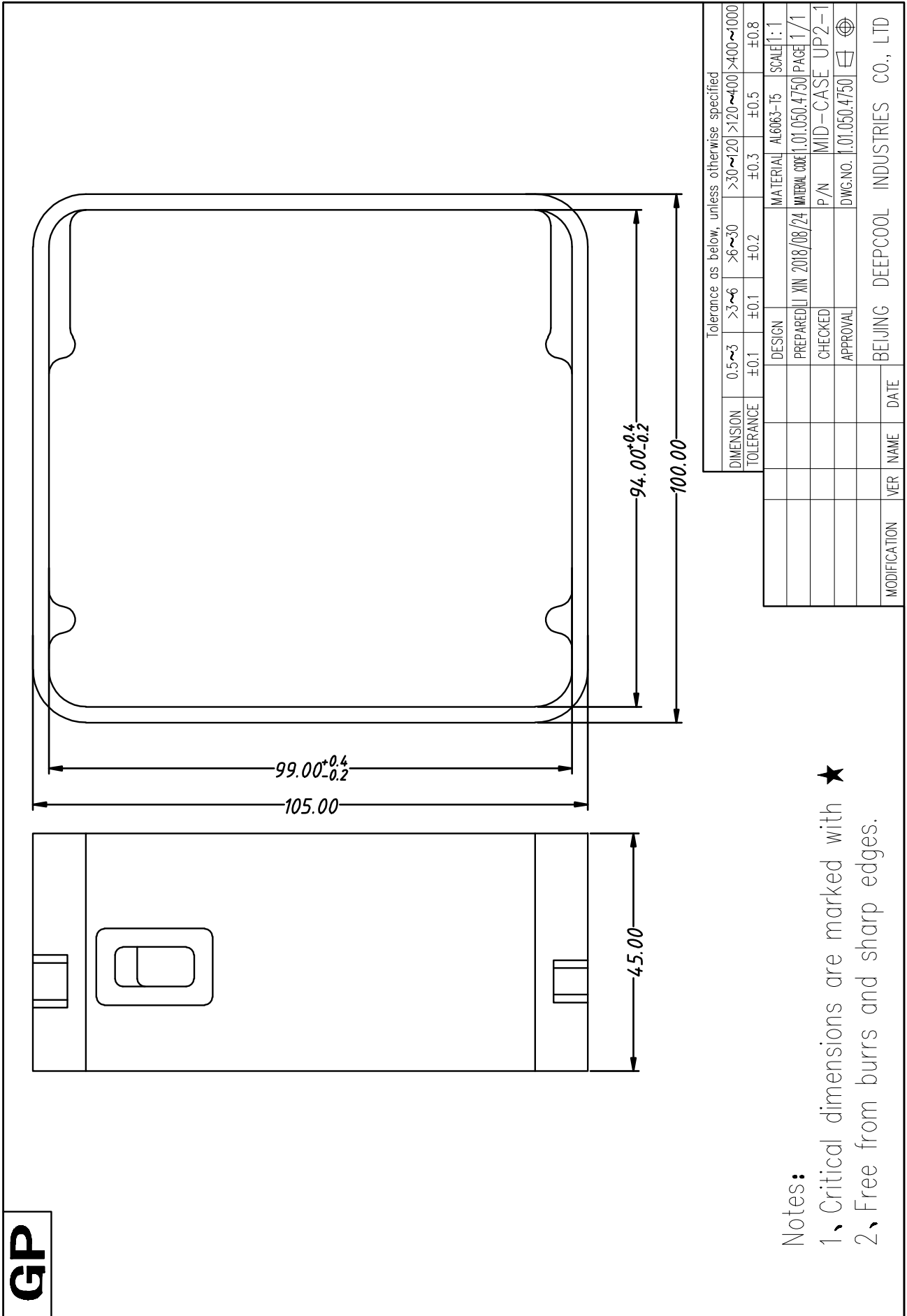
Tolerance as below, unless otherwise specified		DESIGN	MATERIAL	SCALE				
DIMENSION	0.5~3	>3~6	>6~30	>30~120	>120~400	>400~1000		
TOLERANCE	±0.1	±0.1	±0.2	±0.3	±0.5	±0.8		
DESIGN								
PREPARED	JIN 2018/9/4							
CHECKED								
APPROVAL								
INTERNAL CODE	.01.050.4960							
P/N	TOP COVER UP2-1							
DWG.NO.	.01.050.4960							
MODIFICATION	VER	NAME	DATE					
				BEIJING DEEPCOOL INDUSTRIES CO., LTD				

Notes:

- 1、Critical dimensions are marked with ★
- 2、Free from burrs and sharp edges.

GP

3.3 MID-CASE

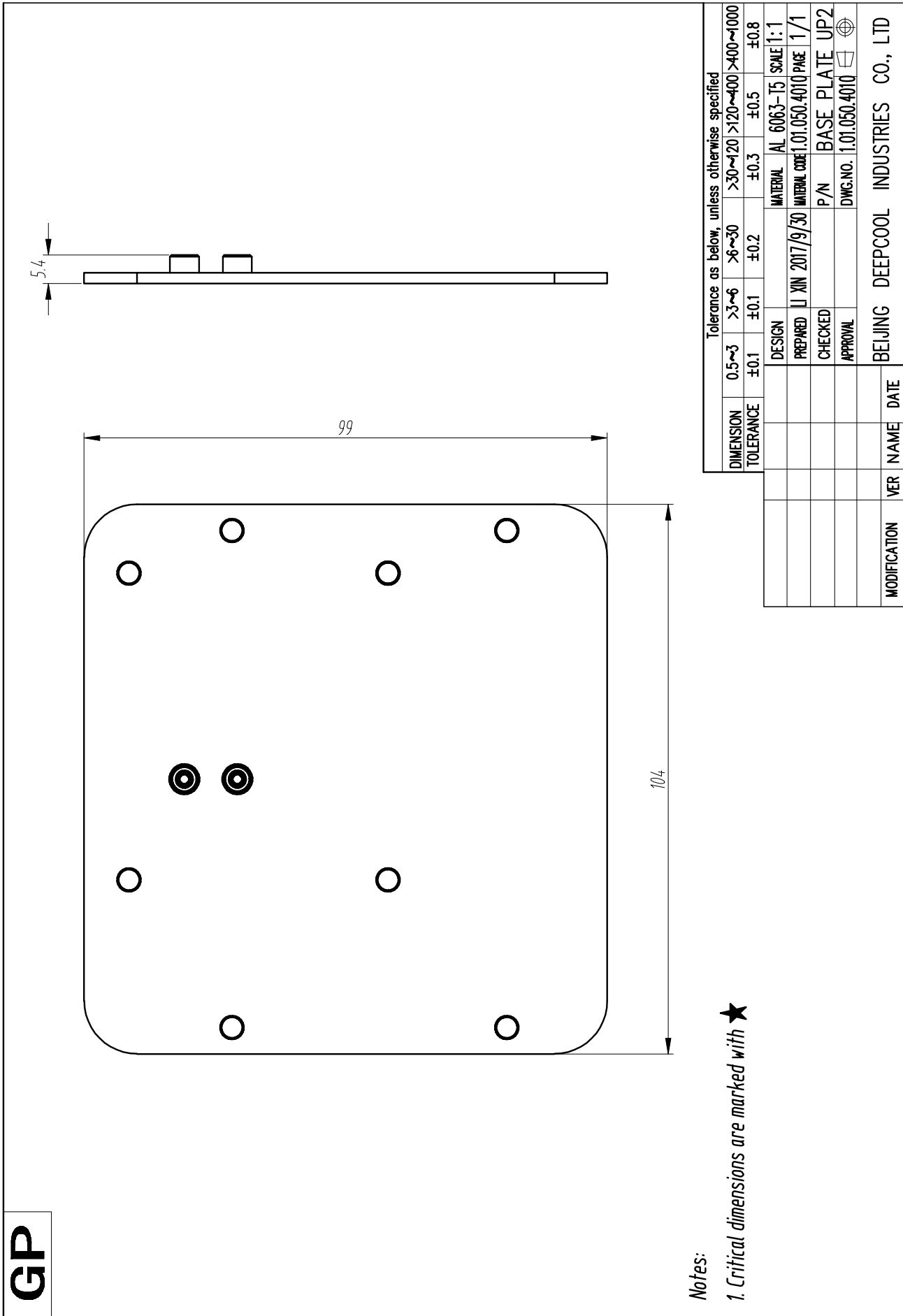


Tolerance as below, unless otherwise specified										
DIMENSION	0.5~3	>3~6	>6~30	>30~120	>120~400	>400~1000				
TOLERANCE	±0.1	±0.1	±0.2	±0.3	±0.5	±0.8				
	DESIGN			MATERIAL	AL6063-T5	SCALE	1:1			
	PREPARED	LI XIN	2018/08/24	MATERIAL CODE	L01.050.4750	PAGE	1/1			
	CHECKED			P/N	MID-CASE	UP2-1				
	APPROVAL			DWG.NO.	J.01.050.4750					
MODIFICATION	VER	NAME	DATE	BEIJING DEEPCOOL INDUSTRIES CO., LTD						

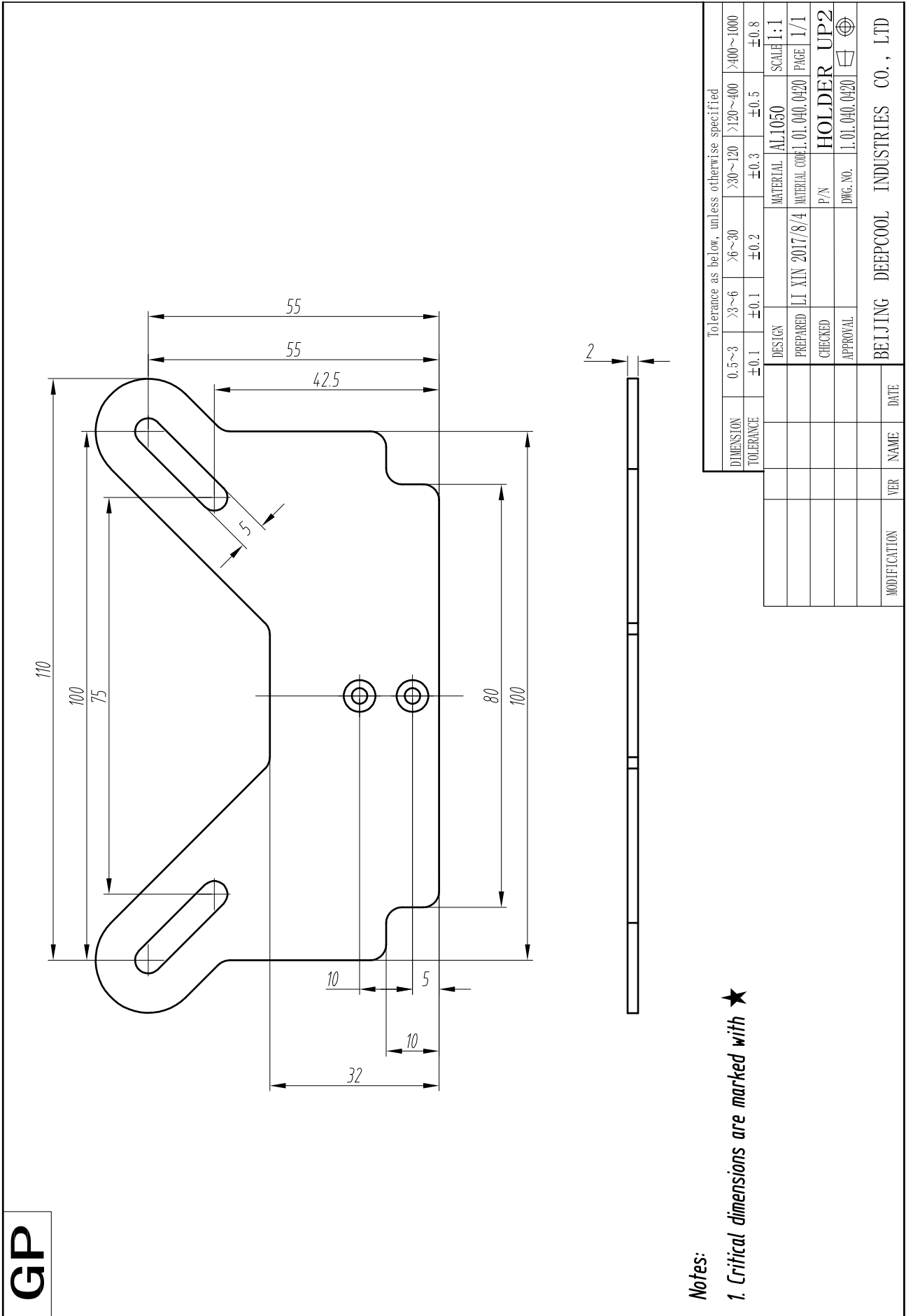
- Notes:
- 1、Critical dimensions are marked with ★
 - 2、Free from burrs and sharp edges.

GP

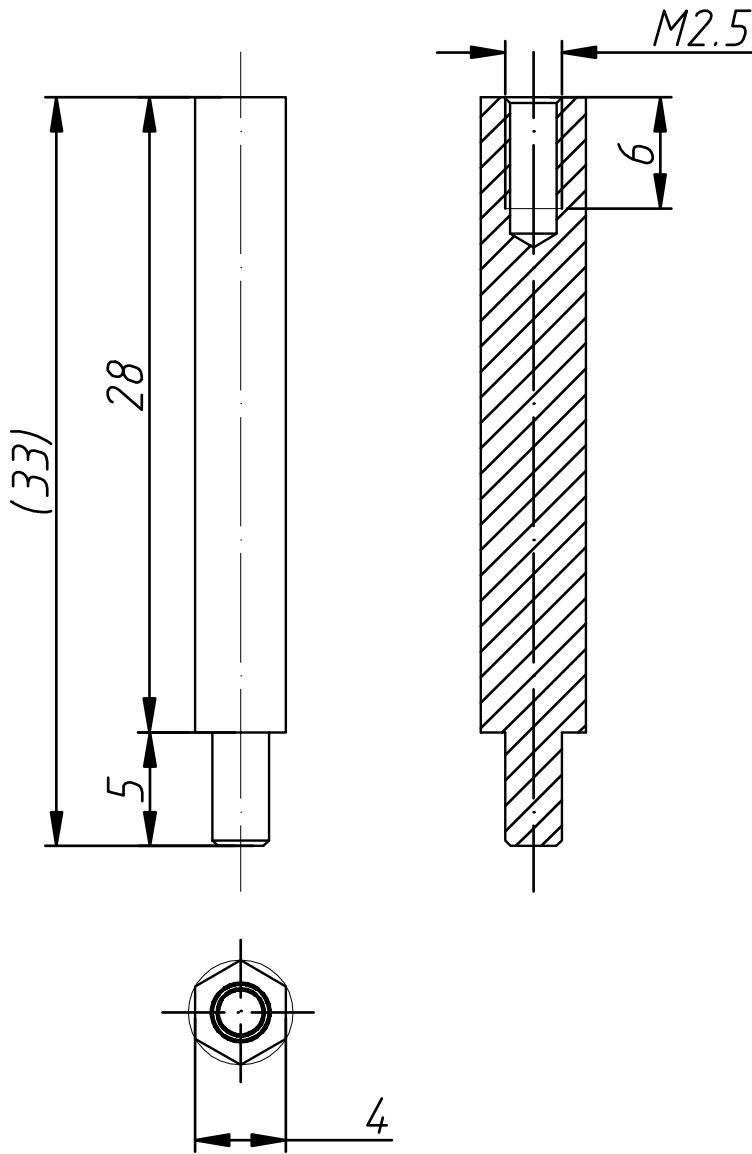
3.4 BASE PLATE



3.5 HOLDER



3.7 NUT



Tolerance as below, unless otherwise specified	
DIMENSION	0.5~3 >3~6 >6~30 >30~120 >120~400 >400~1000
TOLERANCE	±0.1 ±0.1 ±0.2 ±0.3 ±0.5 ±0.8
DESIGN	MATERIAL: CU
PREPARED	LI XIN 2018/8/16
CHECKED	P/N NUT M2.5XH4X33
APPROVAL	DWG.NO.
MODIFICATION	VER NAME DATE
BEIJING DEEPCOOL INDUSTRIES CO., LTD	

GP

X-ON Electronics

Largest Supplier of Electrical and Electronic Components

Click to view similar products for [Modules Accessories](#) category:

Click to view products by [Aaeon](#) manufacturer:

Other Similar products are found below :

[7010-0001](#) [AX98219](#) [A1UL8RISER](#) [F1UJPMICRISER](#) [FHW1U16RISER](#) [20-101-0440](#) [MBCDROM](#) [AX61221TM](#) [VM-105](#) [EA](#)
[CARREDIPTFT02](#) [RK-210E-B](#) [E226171106](#) [88606200030E](#) [SI-HDMI-EDID-EM](#) [MIC-75M13-00A1E](#) [FPM-1000T-SMKE](#) [AMK-R004E](#)
[96FMCF-ST2ADAPTER1](#) [AHWKPTP12GBGB](#) [AXXSTCPUCAR](#) [FPK-07-R10](#) [Mini Din 6P to 6P HARNESS](#) [FPF1320 POWER](#)
[MULTIPLEXER CARRIER](#) [881261510A0E](#) [AXXP3SWX08080](#) [conga-B7XD/CSP-Cu-B](#) [881281021A0E](#) [HFT for mounting KIT](#)
[FN928X_FN929X](#) [BB-MH112-1A](#) [15100600](#) [9-5000-1116](#) [BKCMCR1ABB](#) [70763](#) [98R3612003E](#) [881261910A0E](#) [106897](#) [48222R](#) [4D](#)
[ARDUINO ADAPTOR SHIELD II](#) [20926110901](#) [PYCASE GREEN](#) [PYCASE BLUE](#) [FP15072_ZORYA-SC-HEKLA](#) [20952000004](#)
[20953000007](#) [DP-DVI-R10](#) [575-BBIS](#) [RACK-220GW/A130B](#) [492-BBKM](#) [IP411](#) [70760](#)