

RDS-241V

Rugged Docking Station (For RTC-1200)



USB 2.0 x 2



External antenna for GPS and WWAN x 2



M12 5P Female
RS-232 x 2
USB 3.2 Gen 1 x 2 Dual Port x 1
RJ-45 jack for 10/100/1000 Base-TX

Features

- Apply on RTC-1200
- Anti-theft Lock with Key & VESA mount
- Downward-facing I/Os for Easy Cable Management
- Ext. GPS and WWAN with SMA Connector
- Front-facing I/O: USB x 2 in landscape Side
- Downward-facing I/Os: USB 3.2 Gen 1 Dual Port x 1 + RS-232 x 2, One with 5V in Pin9 & the Other with GPIO x 8, GbE x 1, M12 DC-in x 1
- Wide Voltage Range: 9V DC ~ 36V DC in M12-5P Female Connector
- Adaptor is Additionally: (Car Adaptor with Cigarette Plug or Std Adaptor for YC-14)

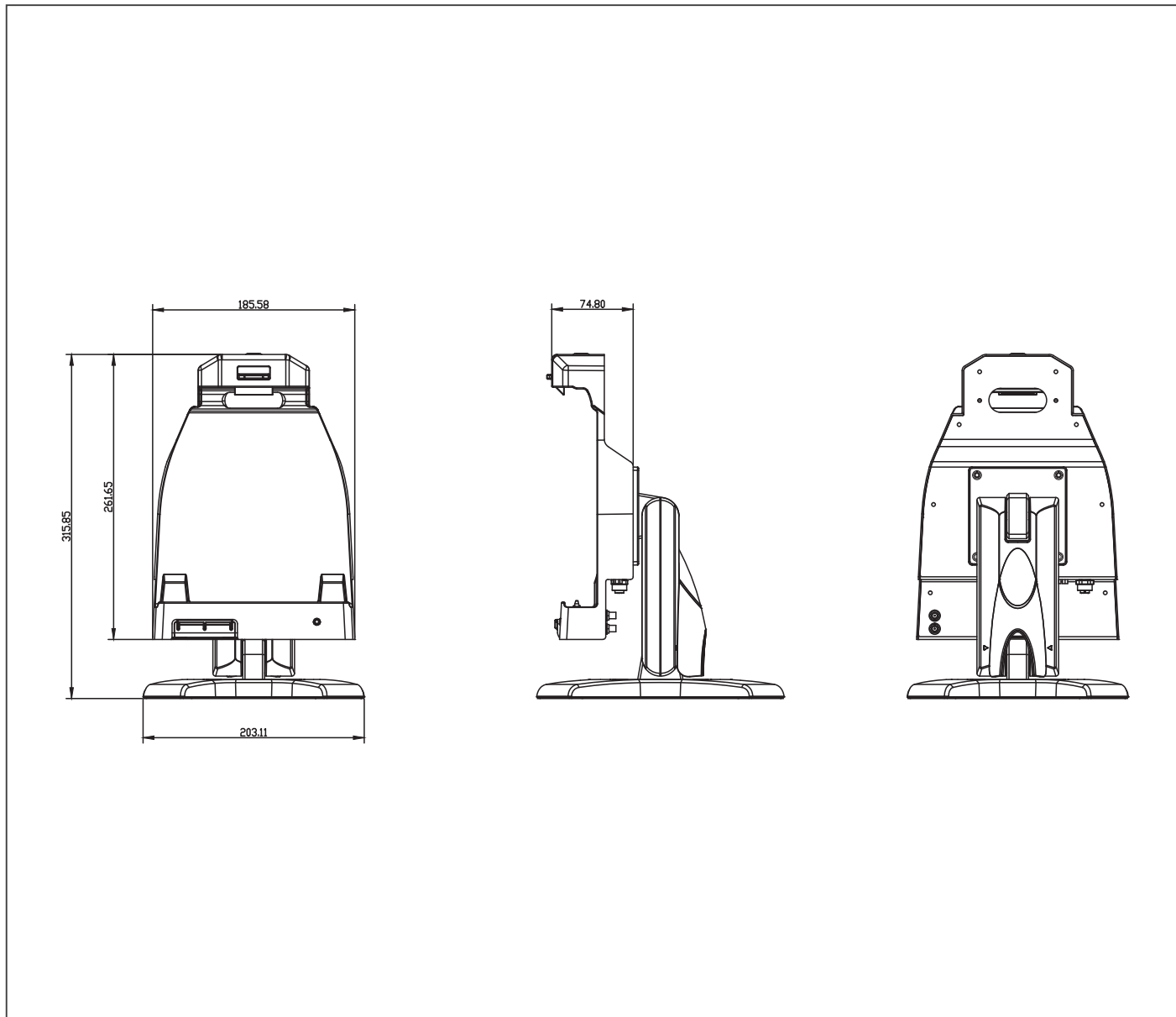


Specifications

System	
I/O	USB 2.0 x 2, USB 3.2 Gen 1 Dual Port x 1, RJ-45 jack for 10/100/1000 Base-TX Ethernet x 1, RS-232 x 2, External antenna for GPS and WWAN x 2
DC Input	M12 5P Female (DC 9V to 36V)
LED Indicator	Orange:DC in w/o Tablet, Blue:DC in w/ Tablet
Mechanical	
Color	Black
Construction	PC
Dimensions (W x H x D)	10.28" x 6.50" x 2.96" (261 x 165 x 75mm)
Gross Weight	6.44 lb (2.92kg)
Environmental	
Operating Temperature	32°F ~ 104°F (0°C ~ 40°C)
Storage Temperature	14°F ~ 122°F (-10°C ~ 50°C)
ESD	Air +/- 8KV, Contact +/- 4KV
EMC/ Safety	CE/FCC Class B/UL
Power Supply	
AC/DC Adapter	Input: 100-240V, 47-63Hz, 90W Output: 19V/ 4.74A
DC/DC Adapter	Input: 11V-16V DC or 22V-32V DC Output: 19V DC/ 4.73A/ 90W

Dimension

Unit: mm



Ordering Information

Part Number	Applied Models	Stand	Expansion I/O
RDS-241V-0000	For RTC-1200 Series w/ Stand	Yes	USB 2.0 x 2, USB 3.2 Gen 1 Dual Port x 1, LAN x 1, RS-232 x 2, GPS and WWAN x 2
RDS-241V-0001	For RTC-1200 Series w/o Stand	No	USB 2.0 x 2, USB 3.2 Gen 1 Dual Port x 1, LAN x 1, RS-232 x 2, GPS and WWAN x 2

Packing List

- RDS-241V

*Power cord must be purchased separately.

Optional Accessories

- 1255300903 Power Adapter
- 1255900900 Flying Lead Adapter for Vehicle

X-ON Electronics

Largest Supplier of Electrical and Electronic Components

Click to view similar products for [Ethernet Modules](#) category:

Click to view products by [Aaeon](#) manufacturer:

Other Similar products are found below :

[TDKEZW3](#) [V23993-USB1029A](#) [100-POE4](#) [X520QDA1](#) [BCM84794A1KFSBG](#) [X520DA2OCP](#) [808-38157](#) [7506GX2](#) [TC EXTENDER 2001](#)
[ETH-2S](#) [105FX-SC-MDR](#) [110FX2-SC](#) [7000-P3201-P050150](#) [750-451](#) [750-494](#) [750-495](#) [750-501](#) [750-612](#) [750-627](#) [750-643](#) [750-652](#) [750-](#)
[653/003-000](#) [750-940](#) [753-440](#) [753-540](#) [852-1812](#) [852-1813](#) [852-1816](#) [LANTICK PE-0-16](#) [LANTICK PE-16-0](#) [RBMTXLITE-](#)
[L4X2.X.X.X.X.](#) [EKI-7708E-4F-AE](#) [EKI-7708E-4FP-AE](#) [EKI-7708G-4FP-AE](#) [2352903-2](#) [753-620](#) [EKI-2706G-1GFPI-BE](#) [SW-125](#) [SW-525](#)
[7000-74712-4780030](#) [7000-74712-4780060](#) [7000-74712-4780100](#) [7000-74712-4780150](#) [750-331](#) [753-649](#) [852-1200](#) [852-1210](#) [852-1280](#)
[PM02TWA](#) [ICR-1601G](#) [BOXER-6641-A1-1110](#)