
APPROVAL SHEET

P/N : EP-CHUPSMTDINLP

CONTENTS

1. COMPONENTS LIST , DESCRIPTION & PHOTO OF PRODUCT.....	3
1.1 COMPONENTS LIST	3
1.2 DESCRIPTION & PHOTO OF PRODUCT	4
2. CHARACTERISTICS	4
2.1 MECHANICAL CHARACTERISTICS.....	4
3. DRAWINGS:	5
3.1 AL PLATE.....	5
3.2 SCREW.....	6

1. COMPONENTS LIST, DESCRIPTION & PHOTO OF PRODUCT

1.1 COMPONENTS LIST

NO.	PART	SPEC/mm	QTY.	PAGE
1	AL PLATE	151X104X21	1	5
2	SCREW	MM3X6PM	3	6
3	SCREW	M2.5X8KM	4	7

1. DESCRIPTION & PHOTO OF PRODUCT



View

This thermal solution intends to be used for:
Industrial Control

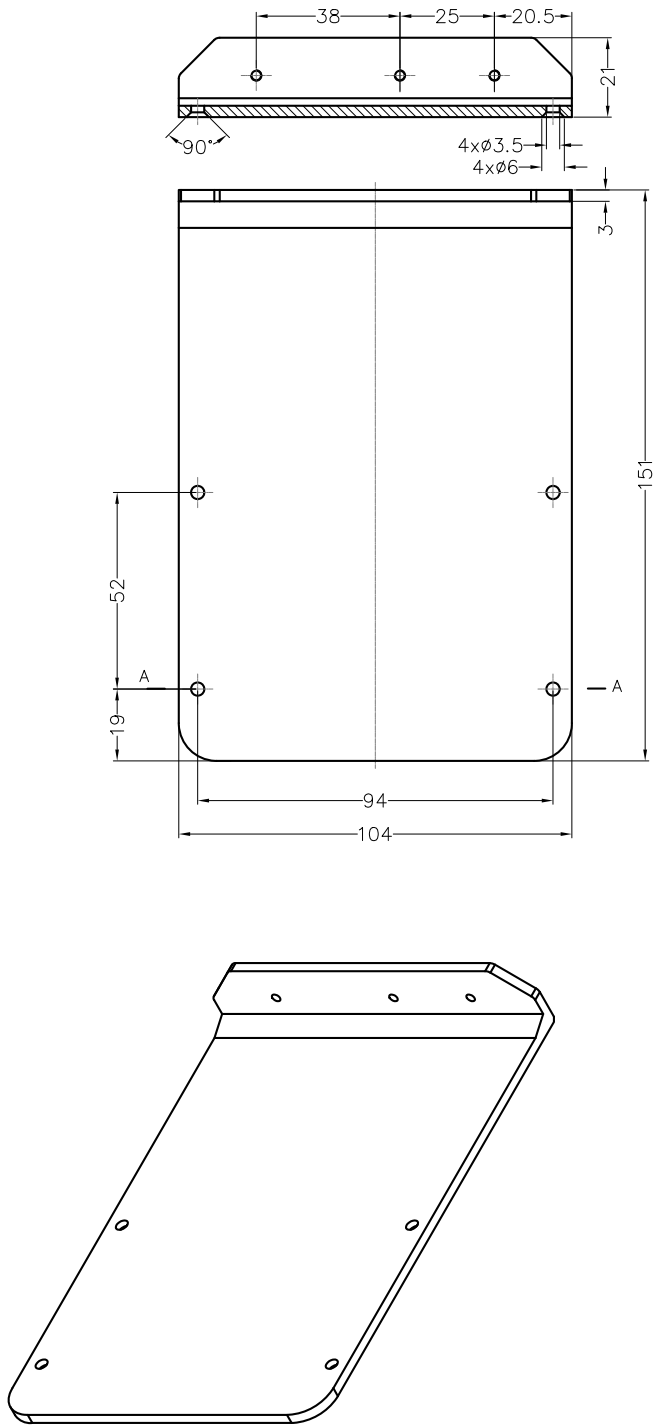
2. CHARACTERISTICS

2.1 MECHANICAL CHARACTERISTICS

AL PLATE Dimension	151X104X21
--------------------	------------

3.1 AL PLATE

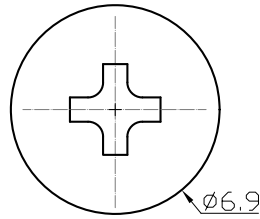
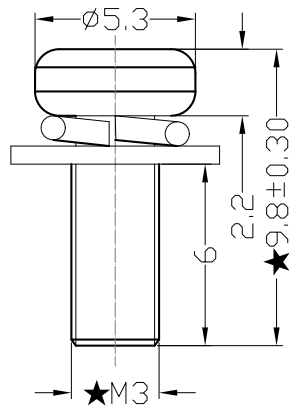
GP



Tolerance as below, unless otherwise specified										
DIMENSION	0.5~3	>3~6	>6~30	>30~120	>120~400	>400~1000				
TOLERANCE	±0.1	±0.1	±0.2	±0.3	±0.5	±0.8				
DESIGN				MATERIAL	AL 1100	SCALE	1:2			
PREPARED				LI XIN 2017/11/30	MATERIAL CODE	01.050.2660	PAGE	1/1		
CHECKED					P/N	AL PLATE UP2-L				
APPROVAL					DWG. NO.	1.01.050.2660				
MODIFICATION										
VER										
NAME										
DATE										
BEIJING DEEPCOOL INDUSTRIES CO., LTD										

3.2 SCREW

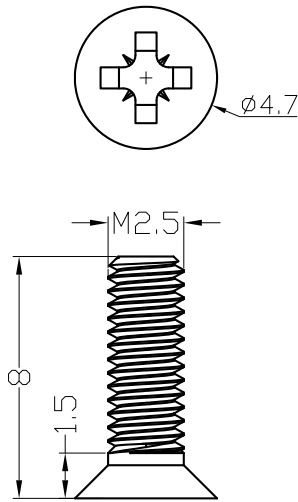
GP



		Tolerance as below, unless otherwise specified										
DIMENSION	0.5~3	>3~6	>6~30	>30~120	>120~400	>400~1000						
TOLERANCE	±0.1	±0.1	±0.2	±0.3	±0.5	±0.8	DESIGN	MATERIAL	SAE	1018	SCALE	4:1
							PREPARED	LI XIN	2017/11/30	MATERIAL CODE	PAGE	1/1
							CHECKED			P/N	SCREW	M3X6PM
							APPROVAL			DWG. NO.		
MODIFICATION	VER	NAME	DATE	BELJING DEEPCOOL INDUSTRIES CO., LTD								

3.2 SCREW

GP



		Tolerance as below, unless otherwise specified										
DIMENSION	0.5~3	>3~6	>6~30	>30~120	>120~400	>400~1000						
TOLERANCE	±0.1	±0.1	±0.2	±0.3	±0.5	±0.8	DESIGN	MATERIAL	SAE	1018	SCALE	4:1
							PREPARED	LI XIN	2017/11/30	MATERIAL CODE	PAGE	1/1
							CHECKED		P/N	SCREW	M2.5X8KM	
							APPROVAL		DWG. NO.			
MODIFICATION	VER	NAME	DATE	BELJING DEEPCOOL INDUSTRIES CO., LTD								

X-ON Electronics

Largest Supplier of Electrical and Electronic Components

Click to view similar products for [Modules Accessories](#) category:

Click to view products by [Aaeon](#) manufacturer:

Other Similar products are found below :

[7010-0001](#) [AX98219](#) [A1UL8RISER](#) [F1UJPMICRISER](#) [FHW1U16RISER](#) [20-101-0440](#) [MBCDROM](#) [AX61221TM](#) [VM-105](#) [EA](#)
[CARREDIPTFT02](#) [76000958](#) [RK-210E-B](#) [E226171106](#) [88606200030E](#) [8816K6400A0E](#) [SI-HDMI-EDID-EM](#) [MIC-75M13-00A1E](#) [FPM-](#)
[1000T-SMKE](#) [AMK-R004E](#) [96FMCF-ST2ADAPTER1](#) [AHWKPTP12GBGB](#) [AXXSTCPUCAR](#) [FPK-07-R10](#) [Mini Din 6P to 6P HARNESS](#)
[881261510A0E](#) [AXXP3SWX08080](#) [conga-B7XD/CSP-Cu-B](#) [881281021A0E](#) [HFT for mounting KIT FN928X_FN929X](#) [BB-MH112-1A](#)
[15100600](#) [9-5000-1116](#) [BKCMCR1ABB](#) [BKCMCR1ABA](#) [70763](#) [98R3612003E](#) [881261910A0E](#) [106897](#) [4D ARDUINO ADAPTOR](#)
[SHIELD II](#) [20926110901](#) [PYCASE GREEN](#) [PYCASE BLUE](#) [FP15072_ZORYA-SC-HEKLA](#) [20952000004](#) [20953000007](#) [DP-DVI-R10](#)
[575-BBIS](#) [RACK-220GW/A130B](#) [850-33100](#) [492-BBKM](#)