
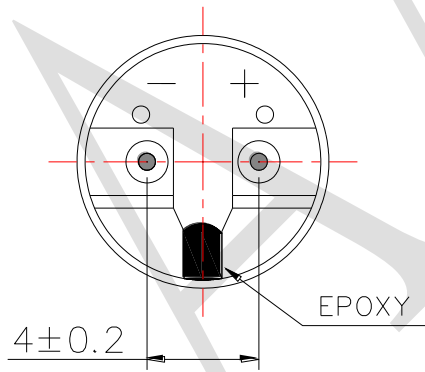
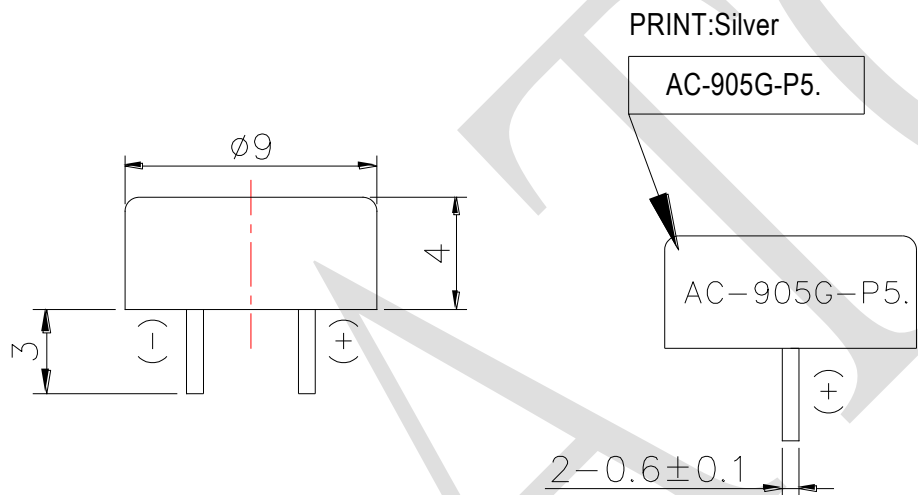
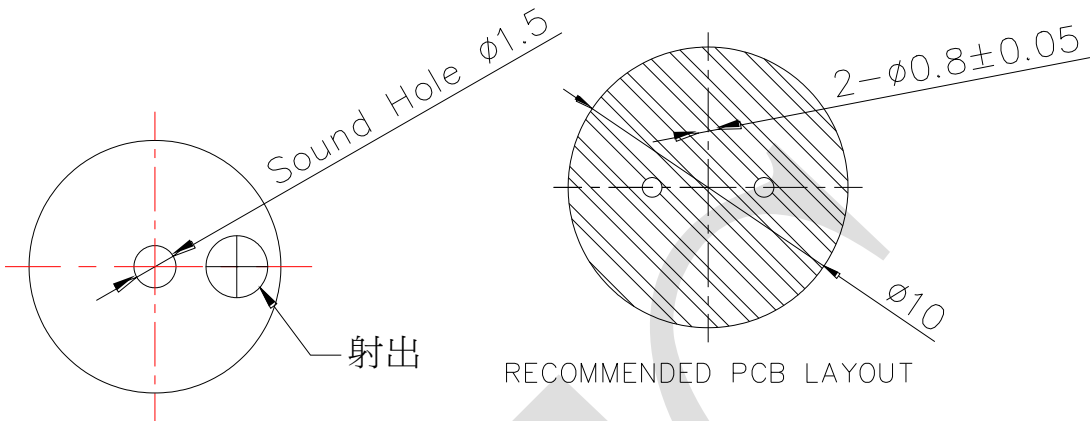


# 1. SPECIFICATION

AC-905G-P5

| ITEM |   | UNITS         | SPECIFICATIONS | CONDITIONS  |
|------|---|---------------|----------------|---|
| 01   | Rated Voltage                               | V             | 5              |  A square wave diagram with three pulses. The peak-to-peak voltage is labeled as Vp-p. The baseline is labeled as 0V. |
| 02   | Operating Voltage                           | V             | 3 ~ 7          |   |
| 03   | Consumption Current                         | mA<br>Max.    | 85             | Standard state, standard drive circuit.<br>Square wave 1/2 duty.  |
| 04   | Sound pressure level<br>(Distance at 10cm ) | dB(A)<br>Min. | 85             | Rated voltage, rated frequency.   |
| 05   | Direct Current Resistance                   | $\Omega$      | 40 $\pm$ 3     |   |
| 06   | Rated Frequency                             | Hz            | 2731           |   |

|         |               |          |      |
|---------|---------------|----------|------|
| REV NO. | REVISION NOTE | APPROVAL | DATE |
|---------|---------------|----------|------|



RoHS

|                                |          |                      |                             |            |               |
|--------------------------------|----------|----------------------|-----------------------------|------------|---------------|
| TITLE: ELECTRO MAGNETIC BUZZER |          | DRAWN: Zack          | 2017/07/24                  | SCALE: 4:1 | SHEET: 1 of 1 |
| PART NO. AC-905G-P5            |          | DESIGNED: R&D OF AAT | UNITS: mm                   |            |               |
| DWG NO. JSTG951APL1-40         | 5<br>REV | CHECKED:             | TOLERANCE ± 0.5             |            |               |
|                                |          | APPROVAL:            | UNLESS OTHERWISE SPECIFIED: |            |               |
|                                |          | MATERIAL: PBT        | ONE PLACE DECIMAL ± ***     |            |               |
|                                |          |                      | TWO PLACE DECIMAL ± ***     |            |               |
|                                |          |                      | THREE PLACE DECIMAL ± ***   |            |               |



ADVANCED ACOUSTIC TECHNOLOGY CORPORATION

For more information, please contact AATC.

AATC

## X-ON Electronics

Largest Supplier of Electrical and Electronic Components

*Click to view similar products for [Piezo Buzzers & Audio Indicators](#) category:*

*Click to view products by [AATC](#) manufacturer:*

Other Similar products are found below :

[6-4](#) [ESZ-26B](#) [FDG111PLF](#) [F/DGX12P WITH LABEL LF](#) [F/EM12PLF](#) [F/NRMB 24 BLACK LF](#) [PF-35N29WQ](#) [PFD-21A29W](#) [PFD-27A35PQ](#) [PL-21N30WQ](#) [PLD-21N30W](#) [PLD-21N30WQ](#) [PT-3534FP](#) [B822B](#) [S6109](#) [SBM616PR](#) [SC110E](#) [SC2036ACP](#) [SC616N-2](#) [SC628FW](#) [SC628MPG](#) [SC648D](#) [SCS045MD9DT3S](#) [ESZ-25B-5-250B](#) [ESZ-25S](#) [FCM12PLF](#) [F/EB20P-DR LF](#) [AI-4228-TF-LW305-R](#) [FSMD8585JSLF](#) [F/TCW 05 WITH LABEL LF](#) [F/TCW 12 WITH LABEL LF](#) [F/UCW 03 WITH LABEL LF](#) [PFD-27N36W](#) [PKM35-4A0](#) [PL-35N29WQ](#) [PLD-27A35PQ](#) [KBS-20DA-7AS](#) [KBS-27DA-5C-105](#) [LSC628ANR](#) [RTO-1R07-001](#) [SC110FK](#) [SC628AF](#) [SC628FJ](#) [SC628HP](#) [PL-21N31PQ](#) [F-B-P1405ISB LF](#) [F/DGX 05P WITH LABEL LF](#) [MSR516NP](#) [STA22702W](#) [STA20502](#)