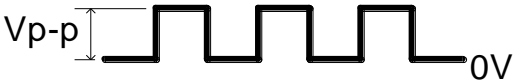


1. SPECIFICATION

AC-9J5C2

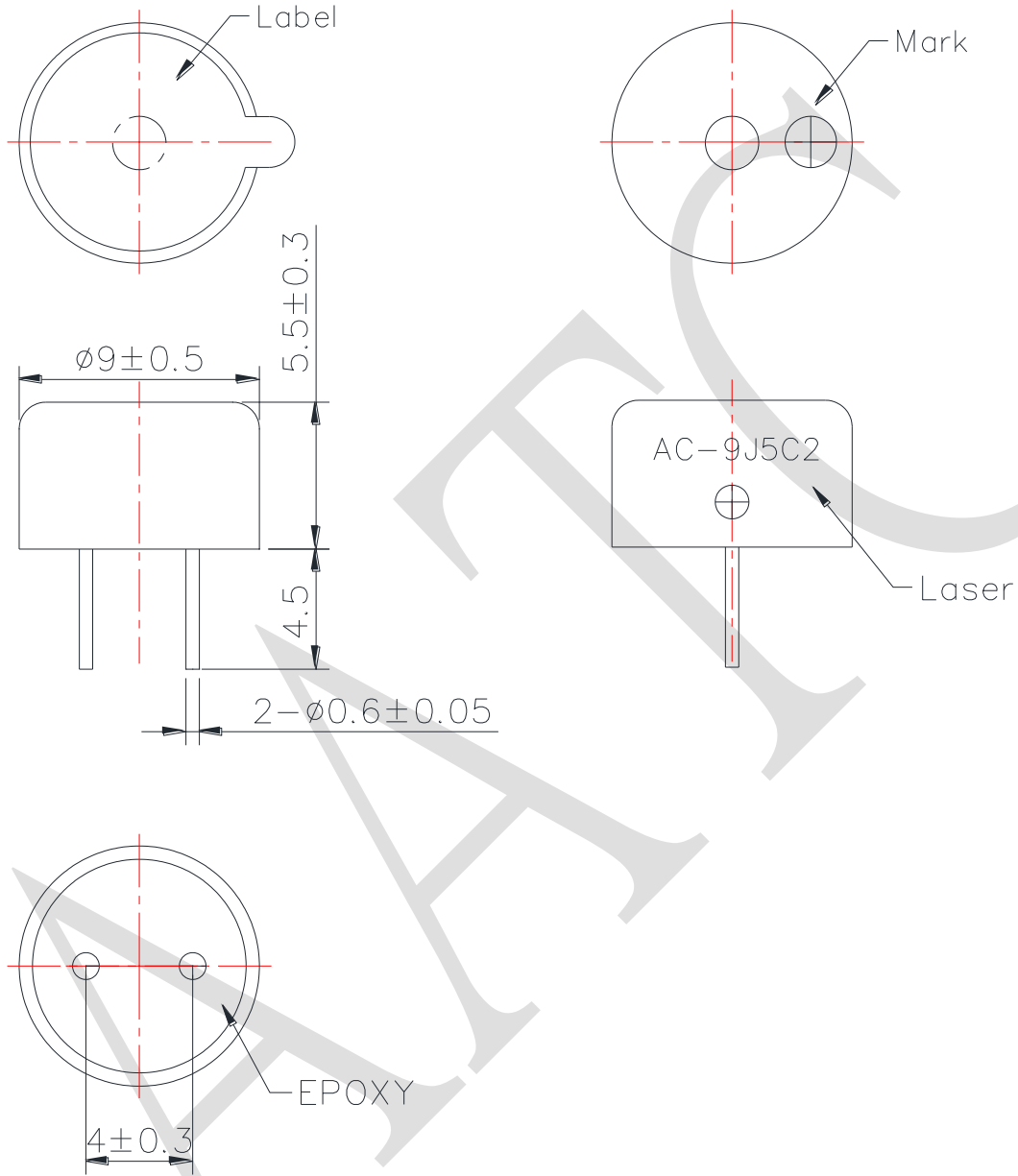
ITEM		UNITS	SPECIFICATIONS	CONDITIONS
01	Rated Voltage	V	5	 <p>Standard state, standard drive circuit. Square wave 1/2 duty.</p>
02	Operating Voltage	V	4 ~ 6	
03	Consumption Current	mA Max.	60	
04	Sound pressure level (Distance at 10cm)	dB(A) Min.	85	Rated voltage, rated frequency.
05	Direct Current Resistance	Ω	40 ± 4	
06	Rated Frequency	Hz	2731	

REV NO.

REVISION NOTE

APPROVAL

DATE



RoHS

TITLE: ELECTRO MAGNETIC BUZZER		DRAWN: Zack 2020/01/20	SCALE: 4:1	SHEET: 1 of 1
PART NO. AC-9J5C2		DESIGNED: R&D OF AAT	UNITS: mm	TOLERANCE ± 0.5
DWG NO. UGCM0905EP4.5D	1	CHECKED:	UNLESS OTHERWISE SPECIFIED:	
	REV	APPROVAL:	ONE PLACE DECIMAL \pm ***	
		MATERIAL: PBT	TWO PLACE DECIMAL \pm ***	
			THREE PLACE DECIMAL \pm ***	



ADVANCED ACOUSTIC TECHNOLOGY CORPORATION

For more information, please contact AATC.

AATC

X-ON Electronics

Largest Supplier of Electrical and Electronic Components

Click to view similar products for [Piezo Buzzers & Audio Indicators](#) category:

Click to view products by [AATC](#) manufacturer:

Other Similar products are found below :

[6-4](#) [ESZ-26B](#) [FDG111PLF](#) [F/DGX12P WITH LABEL LF](#) [F/EM12PLF](#) [F/NRMB 24 BLACK LF](#) [PF-35N29WQ](#) [PFD-21A29W](#) [PFD-27A35PQ](#) [PL-21N30WQ](#) [PLD-21N30W](#) [PLD-21N30WQ](#) [PT-3534FP](#) [B822B](#) [S6109](#) [SBM616PR](#) [SC110E](#) [SC2036ACP](#) [SC616N-2](#) [SC628FW](#) [SC628MPG](#) [SC648D](#) [SCS045MD9DT3S](#) [ESZ-25B-5-250B](#) [ESZ-25S](#) [FCM12PLF](#) [F/EB20P-DR LF](#) [AI-4228-TF-LW305-R](#) [FSMD8585JSLF](#) [F/TCW 05 WITH LABEL LF](#) [F/TCW 12 WITH LABEL LF](#) [F/UCW 03 WITH LABEL LF](#) [PFD-27N36W](#) [PKM35-4A0](#) [PL-35N29WQ](#) [PLD-27A35PQ](#) [KBS-20DA-7AS](#) [KBS-27DA-5C-105](#) [LSC628ANR](#) [RTO-1R07-001](#) [SC110FK](#) [SC628AF](#) [SC628FJ](#) [SC628HP](#) [PL-21N31PQ](#) [F-B-P1405ISB LF](#) [F/DGX 05P WITH LABEL LF](#) [MSR516NP](#) [STA22702W](#) [STA20502](#)