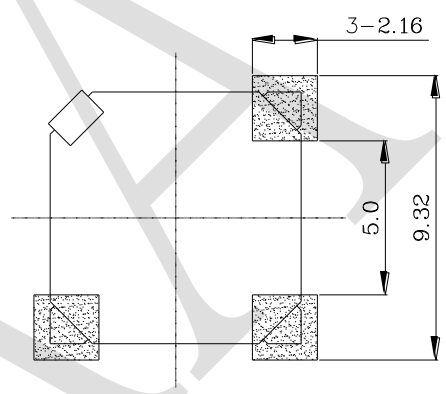
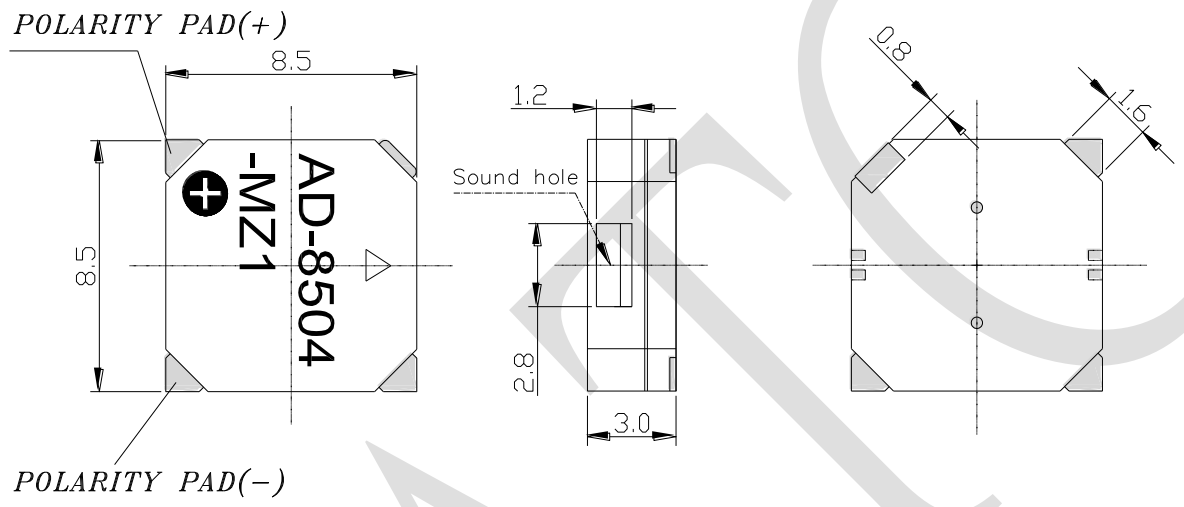


## 1. SPECIFICATION

AD-8504-MZ1

ITEM		UNITS	SPECIFICATIONS	CONDITIONS
01	Rated Voltage	V	4.4	Vp-p
02	Operating Voltage	V	4.0 ~ 6.0	
03	Consumption Current	mA (Max)	Mean : 80	Applying rated voltage, rated frequency Square wave, 1/2 duty subject to standard state.
			Peak : 240	
04	Direct Current Resistance	$\Omega$	30 $\pm$ 3	
05	Sound Output (Distance at 10cm )	dBA (Min)	85	Applying rated voltage, rated frequency Square wave, 1/2 duty subject to standard state.
06	Rated Frequency	Hz	2500	

REV NO.	REVISION NOTE	APPROVAL	DATE
---------	---------------	----------	------



RoHS

TITLE: SOUND TRANSDUCER (SMD)		DRAWN: Jerry	2012/07/23	SCALE: 1:1	SHEET: 1 : 1
PART NO. AD-8504-MZ1	1	DESIGNED: R & D OF AAT		UNITS: mm	TOLERANCE ± 0.5
DWG NO. FD-100326		CHECKED:		UNLESS OTHERWISE SPECIFIED:	
REV		APPROVAL:		ONE PLACE DECIMAL ± ***	TWO PLACE DECIMAL ± ***
		MATERIAL: LCP			



ADVANCED ACOUSTIC TECHNOLOGY CORPORATION

For more information, please contact AATC.

AATC

## X-ON Electronics

Largest Supplier of Electrical and Electronic Components

*Click to view similar products for [Piezo Buzzers & Audio Indicators](#) category:*

*Click to view products by [AATC](#) manufacturer:*

Other Similar products are found below :

[6-4](#) [ESZ-26B](#) [FDG111PLF](#) [F/DGX12P WITH LABEL LF](#) [F/EM12PLF](#) [F/NRMB 24 BLACK LF](#) [PF-35N29WQ](#) [PFD-21A29W](#) [PFD-27A35PQ](#) [PL-21N30WQ](#) [PLD-21N30W](#) [PLD-21N30WQ](#) [PT-3534FP](#) [B822B](#) [S6109](#) [SBM616PR](#) [SC110E](#) [SC2036ACP](#) [SC616N-2](#) [SC628FW](#) [SC628MPG](#) [SC648D](#) [SCS045MD9DT3S](#) [ESZ-25B-5-250B](#) [ESZ-25S](#) [FCM12PLF](#) [F/EB20P-DR LF](#) [AI-4228-TF-LW305-R](#) [FSMD8585JSLF](#) [F/TCW 05 WITH LABEL LF](#) [F/TCW 12 WITH LABEL LF](#) [F/UCW 03 WITH LABEL LF](#) [PFD-27N36W](#) [PKM35-4A0](#) [PL-35N29WQ](#) [PLD-27A35PQ](#) [KBS-20DA-7AS](#) [KBS-27DA-5C-105](#) [LSC628ANR](#) [RTO-1R07-001](#) [SC110FK](#) [SC628AF](#) [SC628FJ](#) [SC628HP](#) [PL-21N31PQ](#) [F-B-P1405ISB LF](#) [F/DGX 05P WITH LABEL LF](#) [MSR516NP](#) [STA22702W](#) [STA20502](#)