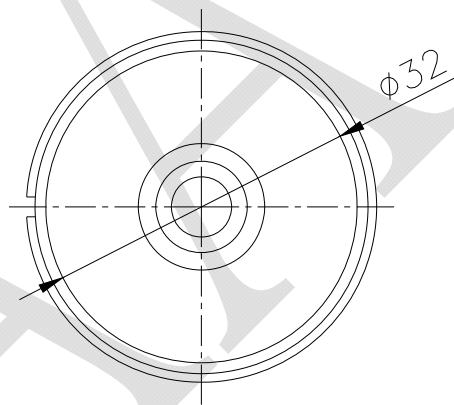
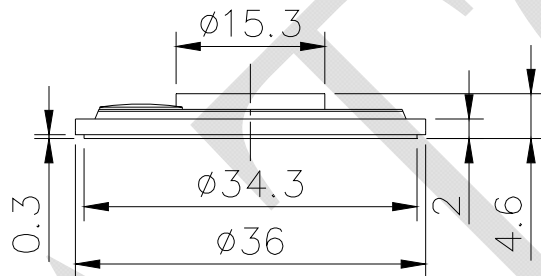
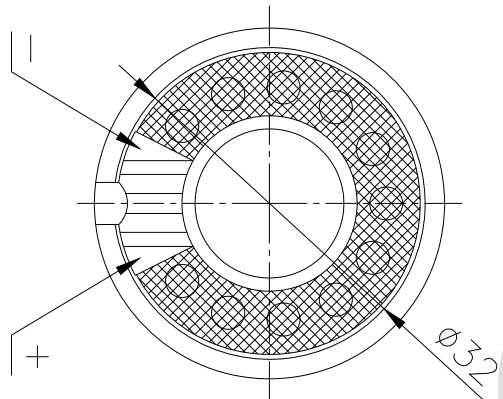


# 1. SPECIFICATION

AK-3608BB-27-LF

ITEM		SPECIFICATIONS	
01	Type	Dynamic speaker	
02	Dimension	External diameter 36 mm	
03	Rated Input Power	0.5 W	
04	Max. Input Power	1.0 W for 1 Minute.	
05	Impedance	8 ohm $\pm$ 15% at 1K Hz	
06	Resonance Frequency (Fo)	500 Hz $\pm$ 20% at Fo, 1V	
07	Sensitivity (S.P.L.)	90dB(0.1W/0.1m) $\pm$ 3 dB	at AVE 0.8K,1.0K,1.2K,1.6K Hz.
		96 dB(0.5W/0.1m) $\pm$ 3 dB	
08	Frequency Range	Fo – 4.5K Hz	
09	Total Harmonics Distortion	Max 10 % at 1 KHz,0.5W.	
10	Voice Coil	Diameter 10.5 mm	
11	Magnet	Rare earth permanent (Nd-Fe-B) magnet $\Phi$ 12.5 x 1.5mm	
12	Weight	12g $\pm$ 2g	
13	Appearance	Should not exist any obstacle to be harmful to normal operation; damages, cracks, rusts and distortions, etc.	
14	Operation Test	Must be normal at program source 0.5W	
15	Buzz, Rattle, etc.	Should not be audible at 2.0V sine Wave between Fo to 20KHz	
16	Polarity	When positive voltage is applied to the terminal marked (+), diaphragm should move to the front.	
17	Terminal Strength	Capable of withstand 1kg load for 30 seconds without resulting in any damage or rejection.	
18	Temperature	Operating temperature: -20°C to +60°C	
		Storage temperature: -30°C to +70°C	

REV NO.	REVISION NOTE	APPROVAL	DATE
---------	---------------	----------	------



RoHS

TITLE: DYNAMIC SPEAKER		DRAWN: <i>Jack</i> 2013/02/21	SCALE: 2:1	SHEET: 1:1
PART NO. AK-3608BB-27-LF		DESIGNED: R&D OF AAT	UNITS: mm	
DWG NO. DTS-1300	3	CHECKED:	TOLERANCE ± 0.5	
		APPROVAL:	UNLESS OTHERWISE SPECIFIED:	
		MATERIAL: *****	ONE PLACE DECIMAL ± ***	
			TWO PLACE DECIMAL ± ***	
			THREE PLACE DECIMAL ± ***	



**ADVANCED ACOUSTIC TECHNOLOGY CORPORATION**

For more information, please contact AATC.

AATC

## X-ON Electronics

Largest Supplier of Electrical and Electronic Components

*Click to view similar products for [Speakers & Transducers](#) category:*

*Click to view products by [AATC](#) manufacturer:*

Other Similar products are found below :

[FC-30814-P127](#) [AS02832MR-2-R](#) [PB-1220PE](#) [SWFK-31736-000](#) [PT-2065FW](#) [PT-4175W](#) [SMS2020-08H4.5 LF](#) [BDT1717-08H6.5W56MLF](#) [AS03608MR-LW100-R](#) [FS7033NB0830-H15.5-R01](#) [FS7833NB0830-H19.0-R01](#) [FS77DS0850-H24-R01](#) [GSPK5010TN-4R2W](#) [GSPK5010TN-4R3W](#) [KLJ-1504R8W0.5-L44](#) [FS7423NB0430-H10.0](#) [FS50DS0430-H12.7 PEI](#) [FS3511NB0808-H6.7-R01](#) [FS66W04100-H31](#) [FS45DS0880-H24.8-R02](#) [FS32NS0820-H5.8-R01](#) [FS2112NB0807-H7.0-R01](#) [FS3520NS0820-H7.9-P1.25-L60](#) [FS50DS0430-H13.3-R24](#) [FS3411P08-H4.0](#) [FS26NS0820-H4.9-R01](#) [FS14430NB0880-H30-R01](#) [FS5835DS0850-H19.4-R01](#) [FS2011NB0807-H3.9-R01](#) [FS28DS0820-H9.4-R01](#) [FS66W0830-H27](#) [FS66W0850-H22](#) [FS40DS0830-H11.2-P2.0-L100](#) [FS28DS0830-H15.3](#) [FS3525NS0820-H5.5-R01](#) [FS5035NB0820-H26.8-R01](#) [FS27DS0830-H10.8-R01](#) [FS3915NB0808-H11.5-R01](#) [FS3020NB0808-H4.0-R01](#) [FS3616NB0808-H10-R01](#) [FS3514NB0808-H6.0-R01](#) [FS40DS0450-H18.3](#) [FS77W0450-H23.5](#) [FS77W0850-H25.5](#) [FS78W0850-H34](#) [FS3411P04-H4.0](#) [FS3232NB0820-H15.3-R01](#) [FS50DS0830-H12.7 PEI](#) [FS5630NB0830-H9.4-R01](#) [FS7033NB0430-H15.5-R01](#)