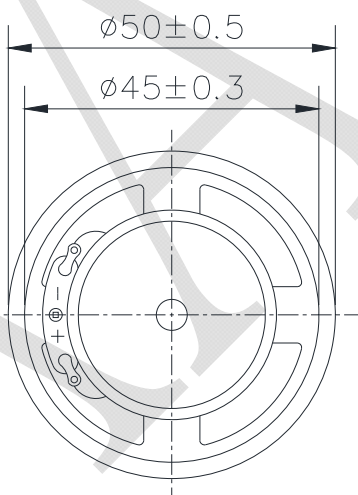
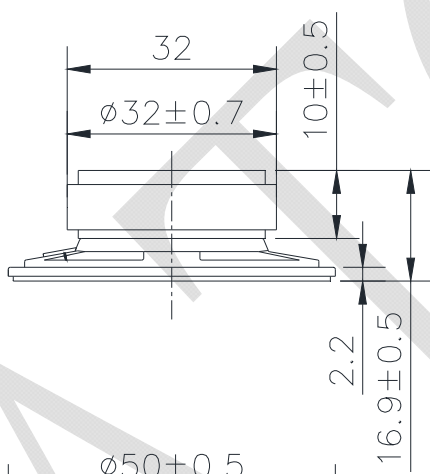
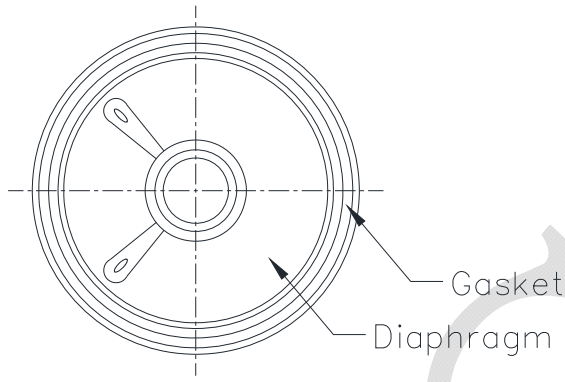


1. SPECIFICATION

AK-5008KC-4

ITEM		SPECIFICATIONS	
01	Type	Dynamic speaker	
02	Dimension	External diameter 50 mm	
03	Rated Input Power	0.25 W	
04	Max. Input Power	5.0 W for 1 minute	
05	Impedance	$8\Omega \pm 15\%$ at 1 KHz 1V	
06	Resonance Frequency (Fo)	450 Hz \pm 20% at Fo, 1V	
07	Sound pressure level	96 dB(0.25W/0.1M) \pm 3 dB	at AVG 0.8, 1.0, 1.2, 1.5 KHz.
08	Frequency Range	Fo – 4.5 K Hz	
09	Total Harmonics Distortion	Max 10 % at 1 KHz, 0.25 W.	
10	Magnet	Rare earth permanent (Ferrite)	
11	Weight	50 g \pm 5 g	
12	Appearance	Should not exist any obstacle to be harmful to normal operation; damages, cracks, rusts and distortions, etc.	
13	Operation Test	Must be normal at program source 0.25 W	
14	Buzz, Rattle, etc.	Should not be audible at 1.41 V sine wave between Fo to 2KHz	
15	Polarity	When positive voltage is applied to the terminal marked (+), diaphragm should move to the front.	
16	Terminal Strength	Capable of withstand 1kg load for 15 seconds without resulting in any damage or rejection.	
17	Temperature	Operating temperature: -20°C to +60°C Storage temperature: -30°C to +70°C	

REV NO.	REVISION NOTE	APPROVAL	DATE
---------	---------------	----------	------



RoHS

TITLE: DYNAMIC SPEAKER		DRAWN: Zack	2021/01/13	SCALE: 2:1	SHEET: 1:1
PART NO. AK-5008KC-4		DESIGNED: R&D OF AAT	UNITS: mm		
DWG NO. YGD50C-8		CHECKED:	TOLERANCE ± 0.5		
		APPROVAL:	FIRST ANGLE PROJECTION		
REV	2	MATERIAL: SPCC			



ADVANCED ACOUSTIC TECHNOLOGY CORPORATION

For more information, please contact AATC.

AATC

X-ON Electronics

Largest Supplier of Electrical and Electronic Components

Click to view similar products for [Speakers & Transducers](#) category:

Click to view products by [AATC](#) manufacturer:

Other Similar products are found below :

[FC-30814-P127](#) [AS02832MR-2-R](#) [PB-1220PE](#) [SWFK-31736-000](#) [PT-2065FW](#) [PT-4175W](#) [SMS2020-08H4.5 LF](#) [BDT1717-08H6.5W56MLF](#) [AS03608MR-LW100-R](#) [FS7033NB0830-H15.5-R01](#) [FS7833NB0830-H19.0-R01](#) [FS77DS0850-H24-R01](#) [GSPK5010TN-4R2W](#) [GSPK5010TN-4R3W](#) [KLJ-1504R8W0.5-L44](#) [FS7423NB0430-H10.0](#) [FS50DS0430-H12.7 PEI](#) [FS3511NB0808-H6.7-R01](#) [FS66W04100-H31](#) [FS45DS0880-H24.8-R02](#) [FS32NS0820-H5.8-R01](#) [FS2112NB0807-H7.0-R01](#) [FS3520NS0820-H7.9-P1.25-L60](#) [FS50DS0430-H13.3-R24](#) [FS3411P08-H4.0](#) [FS26NS0820-H4.9-R01](#) [FS14430NB0880-H30-R01](#) [FS5835DS0850-H19.4-R01](#) [FS2011NB0807-H3.9-R01](#) [FS28DS0820-H9.4-R01](#) [FS66W0830-H27](#) [FS66W0850-H22](#) [FS40DS0830-H11.2-P2.0-L100](#) [FS28DS0830-H15.3](#) [FS3525NS0820-H5.5-R01](#) [FS5035NB0820-H26.8-R01](#) [FS27DS0830-H10.8-R01](#) [FS3915NB0808-H11.5-R01](#) [FS3020NB0808-H4.0-R01](#) [FS3616NB0808-H10-R01](#) [FS3514NB0808-H6.0-R01](#) [FS40DS0450-H18.3](#) [FS77W0450-H23.5](#) [FS77W0850-H25.5](#) [FS78W0850-H34](#) [FS3411P04-H4.0](#) [FS3232NB0820-H15.3-R01](#) [FS50DS0830-H12.7 PEI](#) [FS5630NB0830-H9.4-R01](#) [FS7033NB0430-H15.5-R01](#)