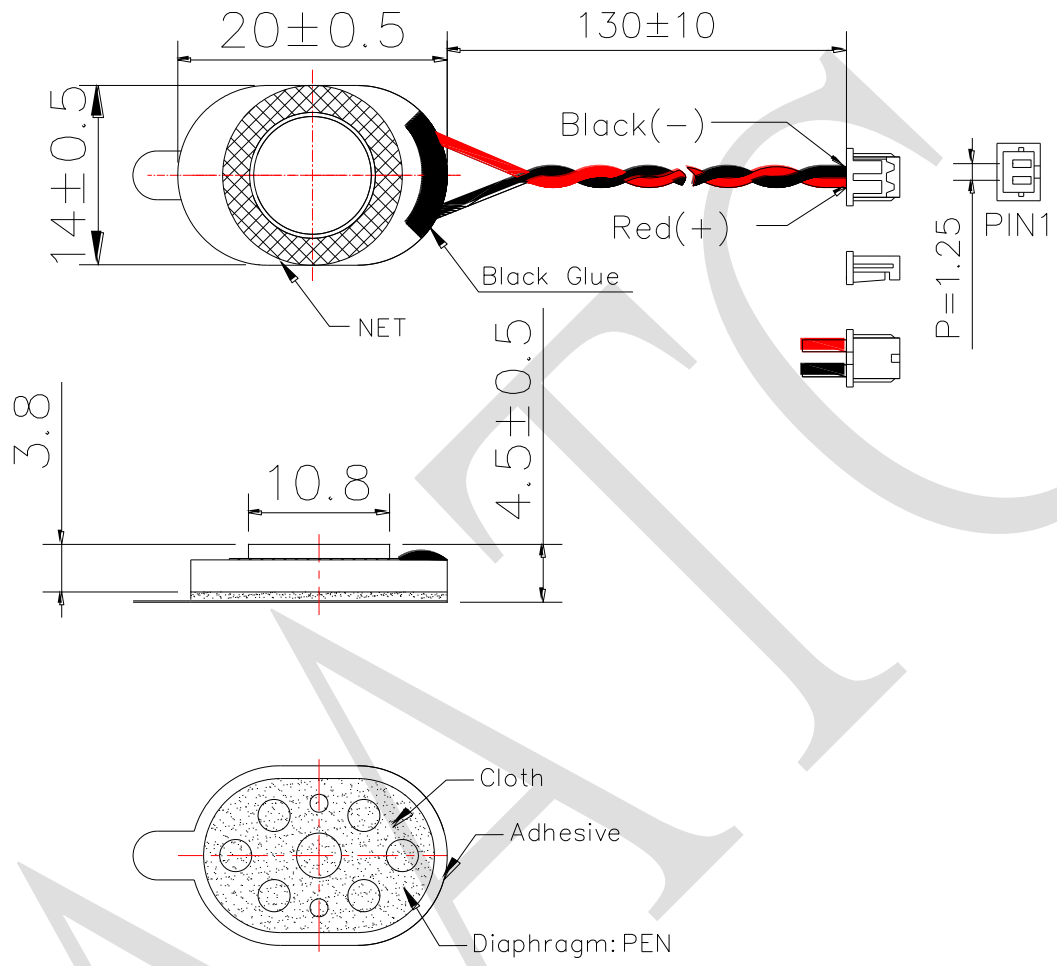


## 1. SPECIFICATION

AKV-20140408-PM-1C

ITEM		SPECIFICATIONS	
01	Type	Dynamic speaker	
02	Dimension	External diameter 20 x 14 mm	
03	Rated Input Power	0.8 W	
04	Max. Input Power	1.0 W for 1 minute	
05	Impedance	$4\Omega \pm 15\%$ at 1KHz 1V	
06	Resonance Frequency (Fo)	950 Hz $\pm$ 20% at Fo, 1V	
07	Sound pressure level	94 dB(0.8W/0.1M) $\pm$ 3 dB	at AVE 0.8, 1.0, 1.1, 1.2 KHz.
08	Frequency Range	Fo – 20 K Hz	
09	Total Harmonics Distortion	Max 10 % at 1 KHz, 0.1W.	

REV NO.	REVISION NOTE	APPROVAL	DATE
---------	---------------	----------	------



Wire: UL1571, AWG30#  
Connector: Equivalent to Molex 51021-0200

RoHS

TITLE: <i>DYNAMIC SPEAKER</i>		DRAWN: <b>Zack</b>	2017/08/02	SCALE: 2:1	SHEET: 1:1
PART NO. <i>AKV-20140408-PM-1C</i>		DESIGNED: R&D OF AAT		UNITS: mm	
DWG NO. <i>JXS2014-04-02L130S0.7</i>		CHECKED:		TOLERANCE $\pm 0.5$	
		APPROVAL:		UNLESS OTHERWISE SPECIFIED:	
	REV <b>1</b>	MATERIAL: PBT		ONE PLACE DECIMAL $\pm$ ***	
				TWO PLACE DECIMAL $\pm$ ***	
				THREE PLACE DECIMAL $\pm$ ***	



**ADVANCED ACOUSTIC TECHNOLOGY CORPORATION**

For more information, please contact AATC.

AATC

## X-ON Electronics

Largest Supplier of Electrical and Electronic Components

*Click to view similar products for [Speakers & Transducers](#) category:*

*Click to view products by [AATC](#) manufacturer:*

Other Similar products are found below :

[FC-30814-P127](#) [AS02832MR-2-R](#) [PB-1220PE](#) [SWFK-31736-000](#) [PT-2065FW](#) [PT-4175W](#) [SMS2020-08H4.5 LF](#) [BDT1717-08H6.5W56MLF](#) [AS03608MR-LW100-R](#) [FS7033NB0830-H15.5-R01](#) [FS7833NB0830-H19.0-R01](#) [FS77DS0850-H24-R01](#) [GSPK5010TN-4R2W](#) [GSPK5010TN-4R3W](#) [KLJ-1504R8W0.5-L44](#) [FS7423NB0430-H10.0](#) [FS50DS0430-H12.7 PEI](#) [FS3511NB0808-H6.7-R01](#) [FS66W04100-H31](#) [FS45DS0880-H24.8-R02](#) [FS32NS0820-H5.8-R01](#) [FS2112NB0807-H7.0-R01](#) [FS3520NS0820-H7.9-P1.25-L60](#) [FS50DS0430-H13.3-R24](#) [FS3411P08-H4.0](#) [FS26NS0820-H4.9-R01](#) [FS14430NB0880-H30-R01](#) [FS5835DS0850-H19.4-R01](#) [FS2011NB0807-H3.9-R01](#) [FS28DS0820-H9.4-R01](#) [FS66W0830-H27](#) [FS66W0850-H22](#) [FS40DS0830-H11.2-P2.0-L100](#) [FS28DS0830-H15.3](#) [FS3525NS0820-H5.5-R01](#) [FS5035NB0820-H26.8-R01](#) [FS27DS0830-H10.8-R01](#) [FS3915NB0808-H11.5-R01](#) [FS3020NB0808-H4.0-R01](#) [FS3616NB0808-H10-R01](#) [FS3514NB0808-H6.0-R01](#) [FS40DS0450-H18.3](#) [FS77W0450-H23.5](#) [FS77W0850-H25.5](#) [FS78W0850-H34](#) [FS3411P04-H4.0](#) [FS3232NB0820-H15.3-R01](#) [FS50DS0830-H12.7 PEI](#) [FS5630NB0830-H9.4-R01](#) [FS7033NB0430-H15.5-R01](#)