

## 1. SPECIFICATIONS

AMB-O40J42-1FB

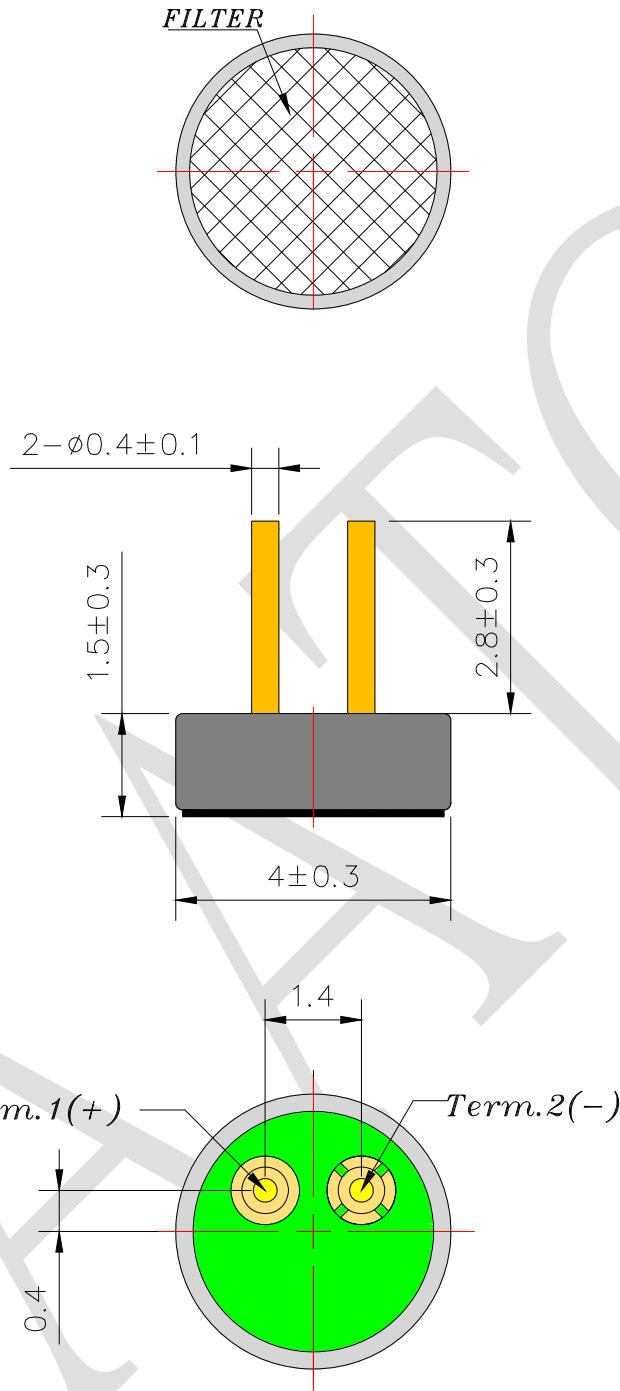
01	Electret's Type	Foil type
02	Sensitivity	-42±3dB (0dB=1V/Pa,1KHz)
03	Standard Operation Voltage	2.0 V
04	Output Impedance	2.2 KΩ
05	Directivity	Omni directional
06	Frequency Range	100 - 20K Hz
07	Max. Operation Voltage	10V
08	Current Consumption	Max.0.5mA
09	Sensitivity Reduction	Within -3dB 0dB=1V/Pa,1KHz Vs=2.0to 1.5V
10	S/N Ratio	≥58dB
11	Sound Pressure Level	110 dB
12	Operating Temperature	-40~+85°C
13	Storage Temperature	-40~+85°C

REV NO.

REVISION NOTE

APPROVAL

DATE



TITLE:	MICROPHONE	DRAWN:	Moose	2016/03/01	SCALE: 5:1	SHEET: 1 of 1
PART NO.	AMB-040J42-1FB	DESIGNED:	R & D OF AAT		UNITS:	mm
DWG NO.	T4015AP-SYG	CHECKED:				
		APPROVAL:				
		MATERIAL:	AI			
	1	TOLERANCE $\pm 0.5$				
	REV	UNLESS OTHERWISE SPECIFIED:				
		ONE PLACE DECIMAL $\pm$ ***				
		TWO PLACE DECIMAL $\pm$ ***				
		THREE PLACE DECIMAL $\pm$ ***				



ADVANCED ACOUSTIC TECHNOLOGY CORPORATION

For more information, please contact AATC.

AATC

## X-ON Electronics

Largest Supplier of Electrical and Electronic Components

*Click to view similar products for [Microphones](#) category:*

*Click to view products by [AATC](#) manufacturer:*

Other Similar products are found below :

[BCM4013OLFC-42-JST-ZHR-2](#) [FG-23329-P142](#) [SPM04C-38/1186-T/R](#) [TOW-1242P-R](#) [B4013AM423-092](#) [KECG2242CBL-G01](#)  
[KEAG4544PF-K](#) [KECG1544WB-G01](#) [KEAG6536PF-D](#) [GMDO9445CST-45DB](#) [GMDU9750ASN-36B-54DB](#) [B4013AM423-103](#)  
[GMBU4015CSC-50DB](#) [GMDU9750ASN-36B-52DB](#) [GMBU16065CSC-02-43DB](#) [GMBU14065CSC-44DB](#) [GMBU6027CSC-03-52DB](#)  
[GMDU9750ASN-36B-48DB](#) [GMDU9750CSD-02-47DB](#) [GMBO3015GSB-45DB](#) [GMDO9445CST-43DB](#) [GMDU9750ASN-36B-46DB](#)  
[GMDU9750ASN-36B-50DB](#) [GMDU9750CSD-02-43DB](#) [GMI6025A3-912-1.2R](#) [GMBU6027CSC-03-50DB](#) [GMI6025P3-915-1.8R](#)  
[GMBU16065CSC-01-43DB](#) [GMBU14065CSC-46DB](#) [GMBU16065CSC-02-45DB](#) [GMI6025P3-912-1.2R](#) [GMBU16065CSC-02-41DB](#)  
[GMBU4015CSC-52DB](#) [GMI6025A6-911-1.0R](#) [GMBU4015CSC-54DB](#) [GMDU9750CSD-02-45DB](#) [GMBU16065CSC-01-45DB](#)  
[GMBU6027CSC-03-54DB](#) [GMDO9445CST-47DB](#) [GMBU14065CSC-42DB](#) [GMDU9750ASN-36B-44DB](#) [GMBU16065CSC-01-41DB](#) [FG-](#)  
[23742-D65](#) [BCM9745-44](#) [BCM9765](#) [BCM9767P](#) [LD-MC-0905P](#) [LD-MC-6035](#) [LD-MC-9765](#) [EM-4015-BC](#)