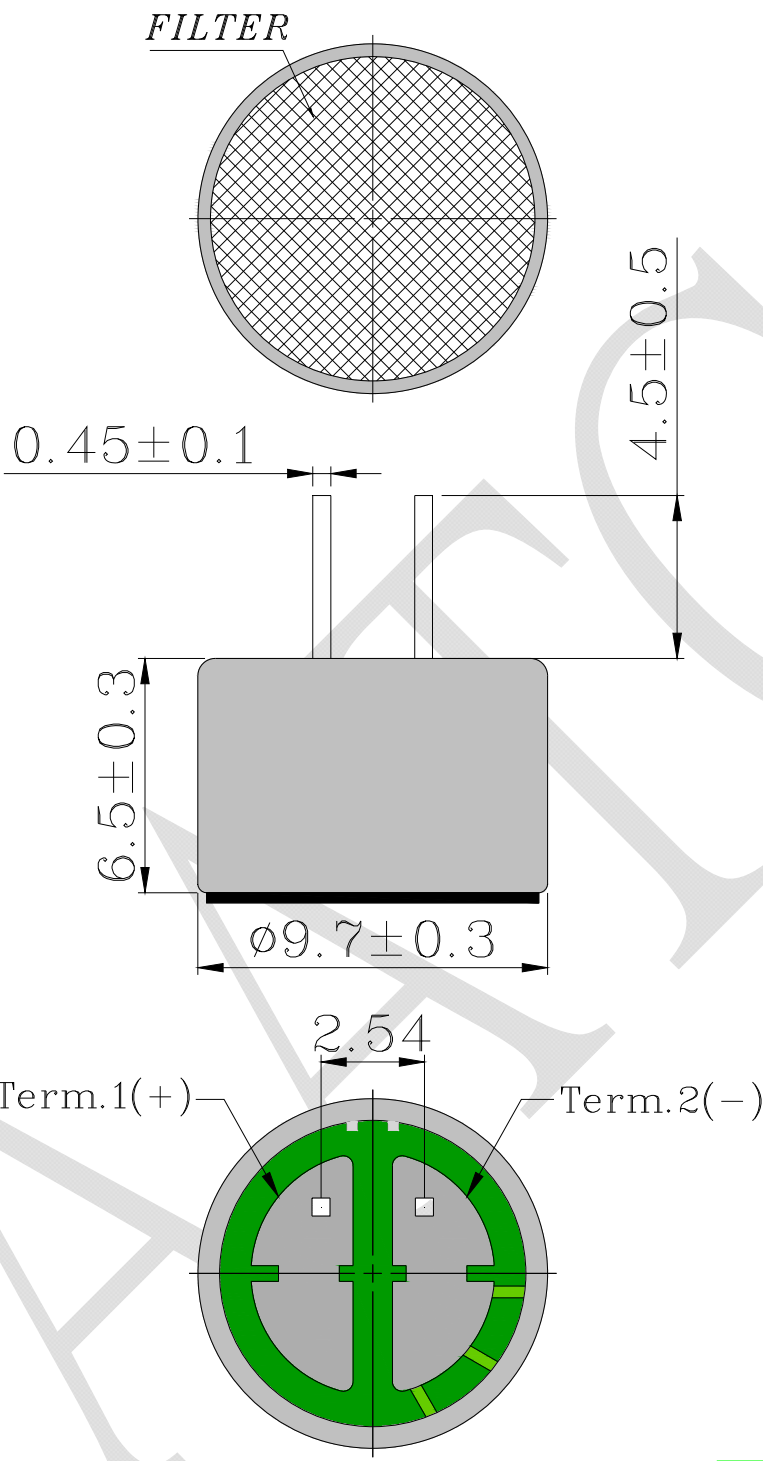


1. SPECIFICATIONS

AMF-O97A42-NB1-LF

01	Sensitivity	-42±3dB (0dB=1V/Pa,1KHz)
02	Standard Operation Voltage	4.5 V
03	Output Impedance	2.2 KΩ
04	Directivity	Omni directional
05	Frequency Range	100 - 10K Hz
06	Max. Operation Voltage	10V
07	Current Consumption	Max.0.5mA
08	Sensitivity Reduction	Within -3dB 0dB=1V/Pa,1KHz Vs=4.5 to 4.0V
09	S/N Ratio	≥58dB
10	Sound Pressure Level	110 dB
11	Operating Temperature	-20~+60°C
12	Storage Temperature	-25~+70°C

REV NO.	REVISION NOTE	APPROVAL	DATE
---------	---------------	----------	------



RoHS

TITLE: MICROPHONE		DRAWN: <i>Jack</i> 2019/04/22	SCALE: 5:1	SHEET: 1 of 1
PART NO. AMF-097A42-NB1-LF		DESIGNED: R & D OF AAT	UNITS: mm	
DWC NO. F9765AP-423 2353	3 REV	CHECKED:	TOLERANCE ± 0.3	
		APPROVAL:	UNLESS OTHERWISE SPECIFIED: ONE PLACE DECIMAL \pm *** TWO PLACE DECIMAL \pm *** THREE PLACE DECIMAL \pm ***	
		MATERIAL: AL		



ADVANCED ACOUSTIC TECHNOLOGY CORPORATION

For more information, please contact AATC

AATC

X-ON Electronics

Largest Supplier of Electrical and Electronic Components

Click to view similar products for [Microphones category](#):

Click to view products by [AATC manufacturer](#):

Other Similar products are found below :

[BCM4013OLFC-42-JST-ZHR-2](#) [FG-23329-P142](#) [SPM04C-38/1186-T/R](#) [TOW-1242P-R](#) [B4013AM423-092](#) [KECG2242CBL-G01](#)
[KEAG4544PF-K](#) [KECG1544WB-G01](#) [KEAG6536PF-D](#) [GMDO9445CST-45DB](#) [GMDU9750ASN-36B-54DB](#) [B4013AM423-103](#)
[GMBU4015CSC-50DB](#) [GMDU9750ASN-36B-52DB](#) [GMBU16065CSC-02-43DB](#) [GMBU14065CSC-44DB](#) [GMBU6027CSC-03-52DB](#)
[GMDU9750ASN-36B-48DB](#) [GMDU9750CSD-02-47DB](#) [GMBO3015GSB-45DB](#) [GMDO9445CST-43DB](#) [GMDU9750ASN-36B-46DB](#)
[GMDU9750ASN-36B-50DB](#) [GMDU9750CSD-02-43DB](#) [GMI6025A3-912-1.2R](#) [GMBU6027CSC-03-50DB](#) [GMI6025P3-915-1.8R](#)
[GMBU16065CSC-01-43DB](#) [GMBU14065CSC-46DB](#) [GMBU16065CSC-02-45DB](#) [GMI6025P3-912-1.2R](#) [GMBU16065CSC-02-41DB](#)
[GMBU4015CSC-52DB](#) [GMI6025A6-911-1.0R](#) [GMBU4015CSC-54DB](#) [GMDU9750CSD-02-45DB](#) [GMBU16065CSC-01-45DB](#)
[GMBU6027CSC-03-54DB](#) [GMDO9445CST-47DB](#) [GMBU14065CSC-42DB](#) [GMDU9750ASN-36B-44DB](#) [GMBU16065CSC-01-41DB](#) [FG-](#)
[23742-D65](#) [BCM9745-44](#) [BCM9765](#) [BCM9767P](#) [LD-MC-0905P](#) [LD-MC-6035](#) [LD-MC-9765](#) [EM-4015-BC](#)