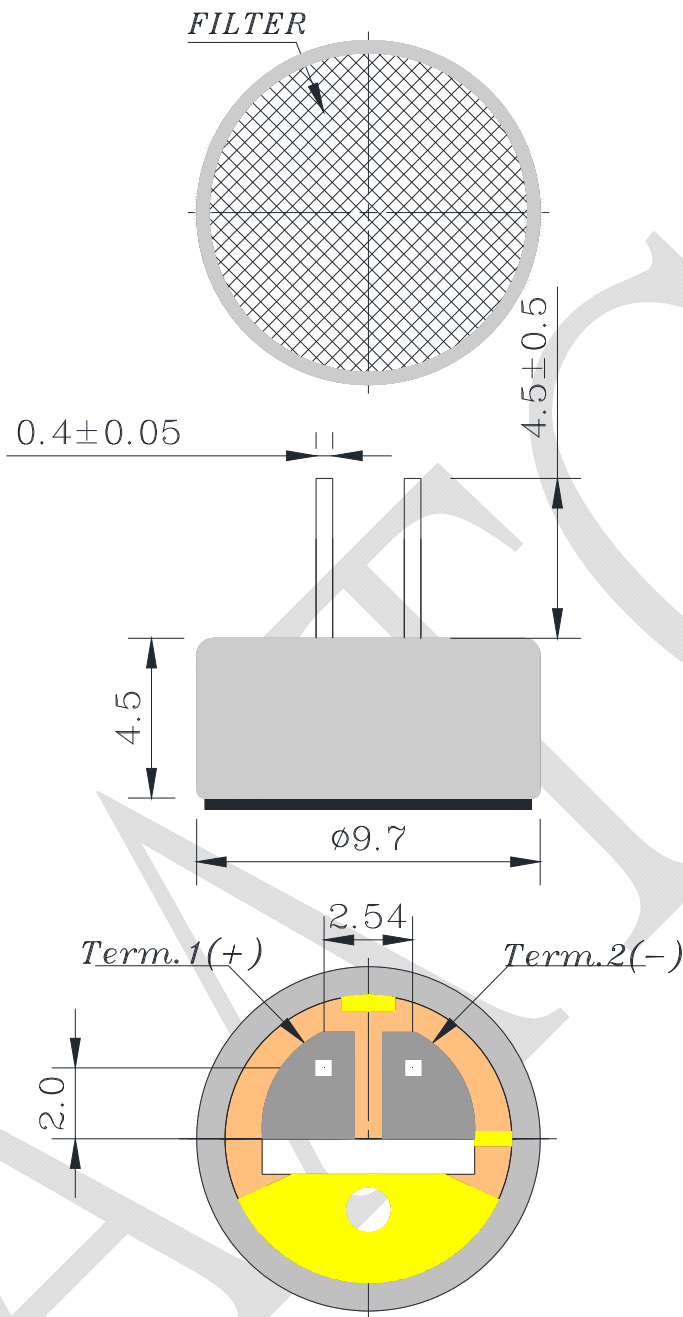


1. SPECIFICATIONS

AMF-O97L42-NB2

| | | |
|----|----------------------------|--|
| 01 | Sensitivity | -42±3dB (0dB=1V/Pa,1KHz) |
| 02 | Standard Operation Voltage | 4.5 V |
| 03 | Output Impedance | 2.2 KΩ |
| 04 | Directivity | Omni directional |
| 05 | Frequency Range | 100 - 10K Hz |
| 06 | Max. Operation Voltage | 10V |
| 07 | Current Consumption | Max.0.5mA |
| 08 | Sensitivity Reduction | Within -3dB 0dB=1V/Pa,1KHz Vs=3.0to 4.5V |
| 09 | S/N Ratio | ≥55dB |
| 10 | Sound Pressure Level | 110 dB |
| 11 | Operating Temperature | -20~+60°C |
| 12 | Storage Temperature | -25~+70°C |

| REV NO. | REVISION NOTE | APPROVAL | DATE |
|---------|---------------|----------|------|
|---------|---------------|----------|------|



RoHS

| | | | | |
|--------------------------------|----------|-----------------------------------|--|---------------|
| TITLE: <i>MICROPHONE</i> | | DRAWN: <i>Slank</i> 2020/03/04 | SCALE: 5:1 | SHEET: 1 of 1 |
| PART NO. <i>AMF-097L42-NB2</i> | 3 | DESIGNED: <i>R & D OF AAT</i> | UNITS: <i>mm</i> | |
| DWG NO. <i>HL-09021801</i> | | CHECKED: | TOLERANCE ± 0.3 | |
| REV | | APPROVAL: | UNLESS OTHERWISE SPECIFIED: ONE PLACE DECIMAL \pm *** TWO PLACE DECIMAL \pm *** THREE PLACE DECIMAL \pm *** | |
| | | MATERIAL: <i>*****</i> | | |



ADVANCED ACOUSTIC TECHNOLOGY CORPORATION

For more information, please contact AATC

AATC

X-ON Electronics

Largest Supplier of Electrical and Electronic Components

Click to view similar products for [Microphones](#) category:

Click to view products by [AATC](#) manufacturer:

Other Similar products are found below :

[BCM4013OLFC-42-JST-ZHR-2](#) [FG-23329-P142](#) [SPM04C-38/1186-T/R](#) [TOW-1242P-R](#) [B4013AM423-092](#) [KECG2242CBL-G01](#)
[KEAG4544PF-K](#) [KECG1544WB-G01](#) [KEAG6536PF-D](#) [GMDO9445CST-45DB](#) [GMDU9750ASN-36B-54DB](#) [B4013AM423-103](#)
[GMBU4015CSC-50DB](#) [GMDU9750ASN-36B-52DB](#) [GMBU16065CSC-02-43DB](#) [GMBU14065CSC-44DB](#) [GMBU6027CSC-03-52DB](#)
[GMDU9750ASN-36B-48DB](#) [GMDU9750CSD-02-47DB](#) [GMBO3015GSB-45DB](#) [GMDO9445CST-43DB](#) [GMDU9750ASN-36B-46DB](#)
[GMDU9750ASN-36B-50DB](#) [GMDU9750CSD-02-43DB](#) [GMI6025A3-912-1.2R](#) [GMBU6027CSC-03-50DB](#) [GMI6025P3-915-1.8R](#)
[GMBU16065CSC-01-43DB](#) [GMBU14065CSC-46DB](#) [GMBU16065CSC-02-45DB](#) [GMI6025P3-912-1.2R](#) [GMBU16065CSC-02-41DB](#)
[GMBU4015CSC-52DB](#) [GMI6025A6-911-1.0R](#) [GMBU4015CSC-54DB](#) [GMDU9750CSD-02-45DB](#) [GMBU16065CSC-01-45DB](#)
[GMBU6027CSC-03-54DB](#) [GMDO9445CST-47DB](#) [GMBU14065CSC-42DB](#) [GMDU9750ASN-36B-44DB](#) [GMBU16065CSC-01-41DB](#) [FG-](#)
[23742-D65](#) [BCM9745-44](#) [BCM9765](#) [BCM9767P](#) [LD-MC-0905P](#) [LD-MC-6035](#) [LD-MC-9765](#) [EM-4015-BC](#)