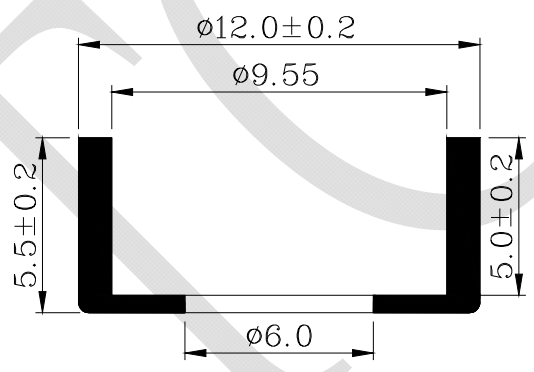
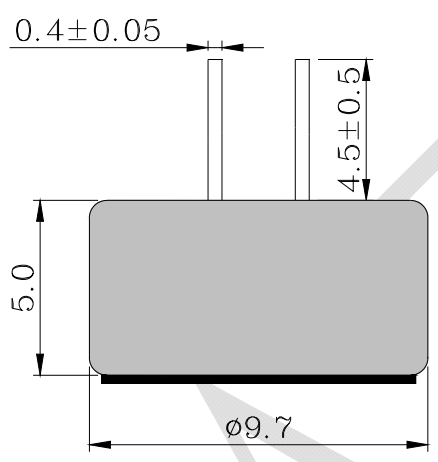
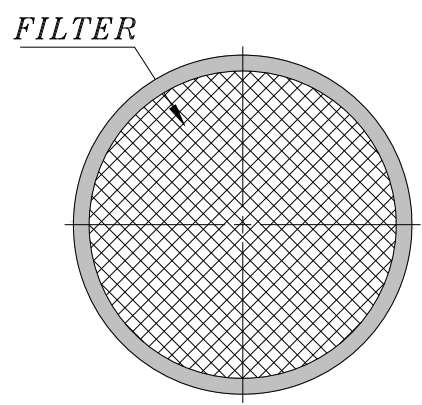


## 1. SPECIFICATIONS

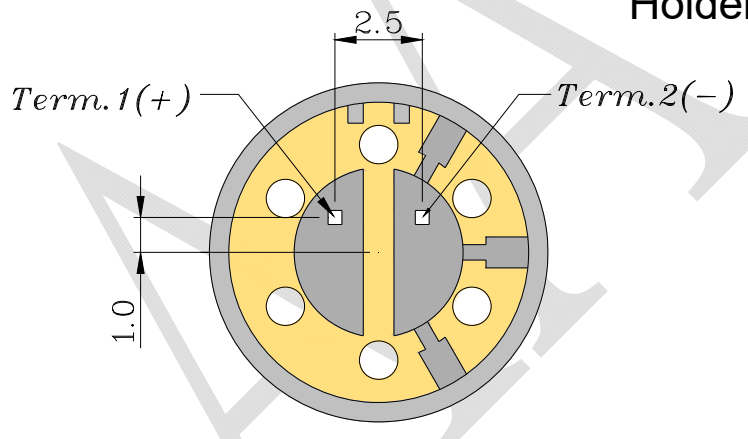
AMF-U97C46-NBH

01	Electret's Type	Foil type
02	Sensitivity	-46±3dB (0dB=1V/Pa,1KHz)
03	Standard Operation Voltage	2.0 V
04	Output Impedance	2.2 KΩ
05	Directivity	Unidirectional
06	Frequency Range	100 - 20K Hz
07	Max. Operation Voltage	10V
08	Current Consumption	Max.0.5mA
09	Sensitivity Reduction	Within -3dB 0dB=1V/Pa,1KHz Vs=2.0to 1.5V
10	S/N Ratio	≥55dB
11	Sound Pressure Level	110 dB

REV NO.	REVISION NOTE	APPROVAL	DATE
---------	---------------	----------	------



Holder:DD-EQ-JTE11-04



RoHS

TITLE: <i>MICROPHONE</i>		DRAWN: <b>Zack</b> 2013/02/21	SCALE: 5:1	SHEET: 1 of 1
PART NO. <i>AMF-U97C46-NBH</i>	<b>2</b>	DESIGNED: R & D OF AAT	UNITS: mm	
DWG NO. <i>HL-110524</i>		CHECKED:	TOLERANCE ± 0.3	
REV		APPROVAL:	UNLESS OTHERWISE SPECIFIED: ONE PLACE DECIMAL ± *** TWO PLACE DECIMAL ± *** THREE PLACE DECIMAL ± ***	
		MATERIAL: *****		



ADVANCED ACOUSTIC TECHNOLOGY CORPORATION

For more information, please contact AATC.

AATC

## X-ON Electronics

Largest Supplier of Electrical and Electronic Components

*Click to view similar products for [Microphones](#) category:*

*Click to view products by [AATC](#) manufacturer:*

Other Similar products are found below :

[254-05KP0B-RO](#) [254-FP270-RO](#) [AMB-O40J30-CBH](#) [AMB-O40J38-1CWH-IP67](#) [AMB-O40J38-CWH-IP67](#) [AMB-O40J40-CWH2-IP67](#)  
[AMB-O40J42-1FB](#) [AMB-O40J42-7CWH3](#) [AMB-O40J42-NB1-LF](#) [AMB-O40J44-CCH-IP67](#) [AMB-O60F44-1CWH](#) [AMB-O60G42-1CWH1](#)  
[AMB-O60G44-CB1-LF](#) [AMF-N97C51-NA](#) [AMF-N97C52-NA](#) [AMF-O60C42-1CWH](#) [AMF-O60C44-1NB](#) [AMF-O60C44-NA-LF](#) [AMF-](#)  
[O97A36-NB1](#) [AMF-O97A42-NB1-LF](#) [AMF-O97A43-1NB1](#) [AMF-O97A44-CWH11](#) [AMF-O97A44-NA-LF](#) [AMF-O97L42-CWH](#) [AMF-](#)  
[O97L42-NB2](#) [AMF-U60C47-NW-LF](#) [AMF-U97C46-NBH](#) [ANM-5054L-2-R](#) [ANM-5254L-R](#) [AOM-4540L-R](#) [AOM-4540P-NF-R](#) [AOM-](#)  
[4542P-R](#) [AOM-4544P-2-R](#) [AOM-4544P-NF-R](#) [AOM-4544P-R](#) [AOM-4546L-R](#) [AOM-4546P-R](#) [AOM-5024L-HD-F-R](#) [AOM-5024L-HD-R](#)  
[AOM-5244L-R](#) [AOM-6545L-R](#) [AOM-6545P-R](#) [AOM-6738L-R](#) [AOM-6738P-R](#) [AOM-6742L-R](#) [AOM-6742P-2-R](#) [AOM-6746L-R](#) [AOM-](#)  
[6746P-R](#) [AOW-4542P-B-R](#) [AOW-4544L-C3310-B-R](#)