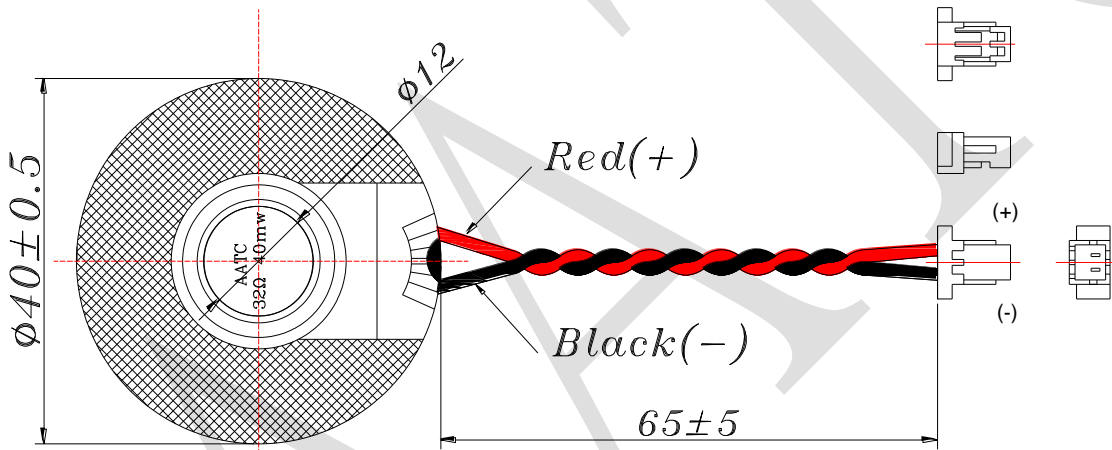
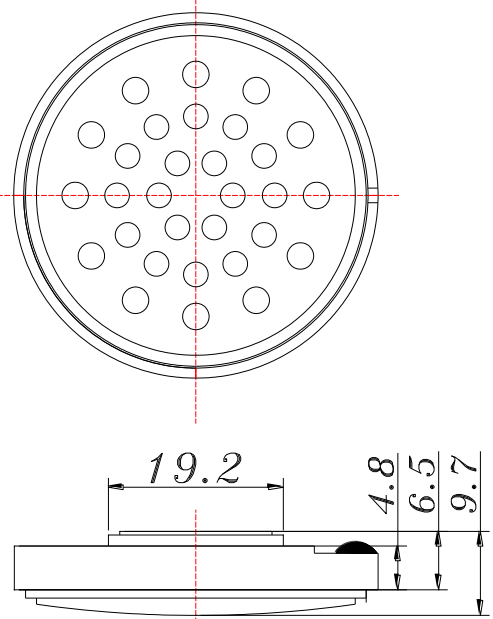


1. SPECIFICATION

AR-4032-PP-1C1

	ITEM	UNIT	SPECIFICATIONS	CONDITION
01	Dimension	mm	$\Phi 40$	Refer to attached drawing in details.
02	Input power	mW	40	White noise is applied for 96 hours.
03	Max. Input power	mW	Max. 60	at room temperature for 60s on and 120s off for 10 cycles.
04	Impedance	Ω	$32 \pm 15\%$	at 1KHz /1V.
05	Sound pressure level	dB	118 ± 3	at 1KHz 126mV /0.5mW with IEC318 coupler.
06	Frequency range	Hz	300~3.4K	
07	Total Harmonics Distortion	%	Max. 5	at 1KHz 126mV / Input power.

REV NO.	REVISION NOTE	APPROVAL	DATE
---------	---------------	----------	------



Wire: UL1571 AWG 28#
Connector: EQUIVALENT TO JST SHR-02V-S-B

RoHS

TITLE: DYNAMIC RECEIVER		DRAWN: Zack	2019/10/23	SCALE: 2:1	SHEET: 1:1
PART NO. AR-4032-PP-1C1		DESIGNED: R&D OF AAT		UNITS: mm	
DWG NO. CXR40097LP45-R32-A1		CHECKED:		TOLERANCE ± 0.5	
REV 1		APPROVAL:		UNLESS OTHERWISE SPECIFIED:	
		MATERIAL: ABS		ONE PLACE DECIMAL ± ***	
				TWO PLACE DECIMAL ± ***	
				THREE PLACE DECIMAL ± ***	



ADVANCED ACOUSTIC TECHNOLOGY CORPORATION

For more information, please contact AATC.

AATC

X-ON Electronics

Largest Supplier of Electrical and Electronic Components

Click to view similar products for [Piezo Buzzers & Audio Indicators](#) category:

Click to view products by [AATC](#) manufacturer:

Other Similar products are found below :

[6-4](#) [ESZ-26B](#) [FDG111PLF](#) [F/DGX12P WITH LABEL LF](#) [F/EM12PLF](#) [F/NRMB 24 BLACK LF](#) [PF-35N29WQ](#) [PFD-21A29W](#) [PFD-27A35PQ](#) [PL-21N30WQ](#) [PLD-21N30W](#) [PLD-21N30WQ](#) [PT-3534FP](#) [B822B](#) [S6109](#) [SBM616PR](#) [SC110E](#) [SC2036ACP](#) [SC616N-2](#) [SC628FW](#) [SC628MPG](#) [SC648D](#) [SCS045MD9DT3S](#) [ESZ-25B-5-250B](#) [ESZ-25S](#) [FCM12PLF](#) [F/EB20P-DR LF](#) [AI-4228-TF-LW305-R](#) [FSMD8585JSLF](#) [F/TCW 05 WITH LABEL LF](#) [F/TCW 12 WITH LABEL LF](#) [F/UCW 03 WITH LABEL LF](#) [PFD-27N36W](#) [PKM35-4A0](#) [PL-35N29WQ](#) [PLD-27A35PQ](#) [KBS-20DA-7AS](#) [KBS-27DA-5C-105](#) [LSC628ANR](#) [RTO-1R07-001](#) [SC110FK](#) [SC628AF](#) [SC628FJ](#) [SC628HP](#) [PL-21N31PQ](#) [F-B-P1405ISB LF](#) [F/DGX 05P WITH LABEL LF](#) [MSR516NP](#) [STA22702W](#) [STA20502](#)