
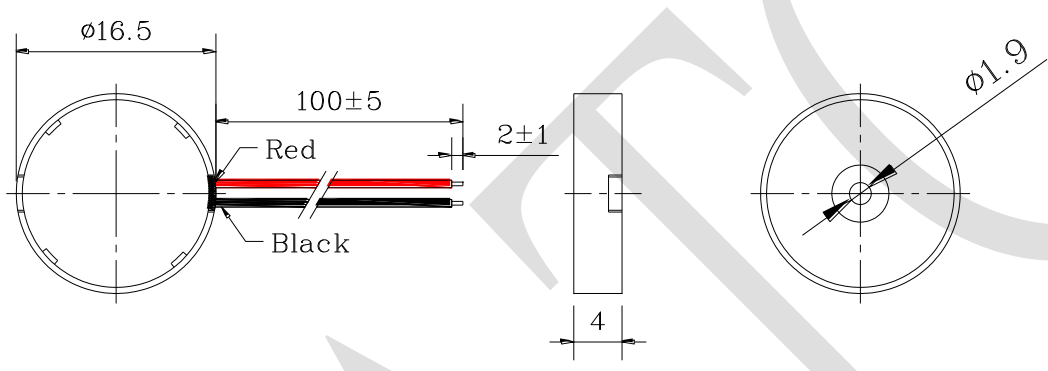


# 1. SPECIFICATION

AZ-1640E-W

ITEM		UNITS	SPECIFICATIONS	CONDITIONS
01	Rated Voltage	V	9	 Square wave 1/2 duty.
02	Operating Voltage	V	1 ~ 30	
03	Consumption Current	mA (Max)	2	
04	Sound pressure level (Distance at 10cm )	dB(A) (Min)	80	Rated voltage, rated frequency.
05	Capacitance	pF	15000±30%	At 120Hz
06	Rated Frequency	Hz	4000±300	

REV NO.	REVISION NOTE	APPROVAL	DATE
---------	---------------	----------	------



WIRE: UL1571, AWG30#

RoHS

TITLE: <i>PIEZO BUZZER</i>		DRAWN: <b>Zak</b>	2019/10/02	SCALE: 2:1	SHEET: 1:1
PART NO. <i>AZ-1640E-W</i>		DESIGNED: R&D OF AAT	UNITS: mm		
DWG NO. <i>UGPA17A4009W100-1</i>	3 REV	CHECKED:	TOLERANCE $\pm 0.3$		
		APPROVAL:	UNLESS OTHERWISE SPECIFIED:		
		MATERIAL: <i>MPP0</i>	ONE PLACE DECIMAL $\pm$ ***		
			TWO PLACE DECIMAL $\pm$ ***		
			THREE PLACE DECIMAL $\pm$ ***		



**ADVANCED ACOUSTIC TECHNOLOGY CORPORATION**

For more information, please contact AATC.

AATC

## X-ON Electronics

Largest Supplier of Electrical and Electronic Components

*Click to view similar products for [Piezo Buzzers & Audio Indicators](#) category:*

*Click to view products by [AATC](#) manufacturer:*

Other Similar products are found below :

[6-4](#) [ESZ-26B](#) [FDG111PLF](#) [F/DGX12P WITH LABEL LF](#) [F/EM12PLF](#) [F/NRMB 24 BLACK LF](#) [PF-35N29WQ](#) [PFD-21A29W](#) [PFD-27A35PQ](#) [PL-21N30WQ](#) [PLD-21N30W](#) [PLD-21N30WQ](#) [PT-3534FP](#) [B822B](#) [S6109](#) [SBM616PR](#) [SC110E](#) [SC2036ACP](#) [SC616N-2](#) [SC628FW](#) [SC628MPG](#) [SC648D](#) [SCS045MD9DT3S](#) [ESZ-25B-5-250B](#) [ESZ-25S](#) [FCM12PLF](#) [F/EB20P-DR LF](#) [AI-4228-TF-LW305-R](#) [FSMD8585JSLF](#) [F/TCW 05 WITH LABEL LF](#) [F/TCW 12 WITH LABEL LF](#) [F/UCW 03 WITH LABEL LF](#) [PFD-27N36W](#) [PKM35-4A0](#) [PL-35N29WQ](#) [PLD-27A35PQ](#) [KBS-20DA-7AS](#) [KBS-27DA-5C-105](#) [LSC628ANR](#) [RTO-1R07-001](#) [SC110FK](#) [SC628AF](#) [SC628FJ](#) [SC628HP](#) [PL-21N31PQ](#) [F-B-P1405ISB LF](#) [F/DGX 05P WITH LABEL LF](#) [MSR516NP](#) [STA22702W](#) [STA20502](#)